

JCP35PA-B2 Lithium battery

Application field - Medical Line
 Preferably in in the medical and nursing industries

The rechargeable lithium battery JCP35PA-B2 is a power lithium battery designed and developed for customers' medical beds. It has overcharge protection, over discharge protection, over current protection, functions and other performance.

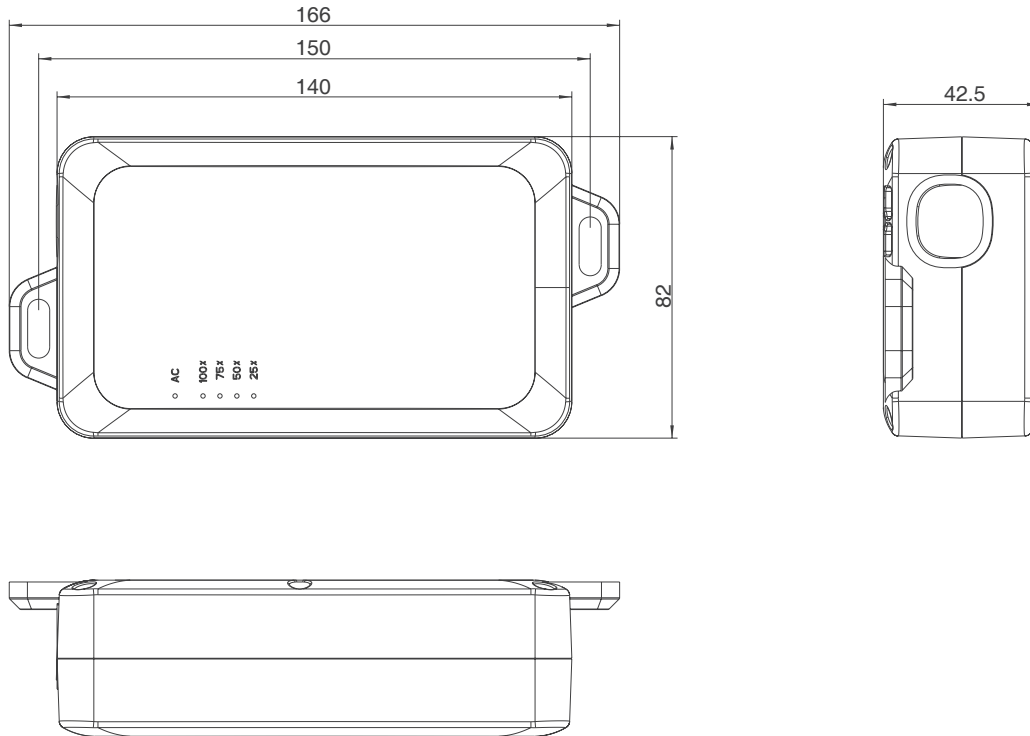
With multiple indicator lights, it can monitor the battery box power in real time and the display is more accurate, with a low-voltage alarm with a buzzer.



General Features

Type of battery:	Lithium battery
Battery capacity:	2.6Ah, 67.34Wh
Nominal voltage:	25.55V
Max. voltage:	29.4V
Charging voltage:	28.5V~36V
Charging current:	0.45A± 0.1a
Charging time:	About 6 hours (Charge the battery for at least 12 hours before first use)
Discharge current:	10A (1min) or 7A (2min)
Supporting control box:	Adapt to JCB35Q, JCB35R, JCB35T series control box
Charge:	Charge by AC power on the control box
Weight:	0.5kg
Color:	Gray
IP grade:	Max.IPX6
Packaging:	Each battery is individually packaged and marked with a lithium warning label (transportation requirements)

Dimension Drawing



Ordering Key

Take **JCP35PAB23G2D6AH25D554G10** for example

Model	JCP35PA-B2	JCP35PA-B2 lithium battery
Type of battery	3	3 = With 7 strings of lithium batteries
Color	G	G = Gray
Battery capacity	2D6AH	2D6AH = 2.6Ah
Nominal voltage	25D55	25D55 = Rated 25.55V
Wire plug	4G1	4G1 = 4-core ET female socket
Wire length	0	0 = None

Attention - Important for your batteries

Must charge before the first use

Since lithium-ion batteries must not exceed 30% of their nominal capacity during transport, they must be charged for at least 12 hours before first use.

It is recommended to keep the battery power around 40~60% when in storage

When the battery is not in use for a long time, you need to disconnect the battery from other parts and store the battery in a low temperature, low humidity, dust-free and non-corrosive gas environment to maintain the best performance for further use.

The following table shows the recommended storage time under the corresponding storage environment. After the storage time is exceeded, the battery should be put into use.

Storage time	Storage environment
1 year	10~25°C (1*), 40 ~ 70% RH (non-condensing)
3 months	0~35°C (1*), 30 ~ 75% RH (non-condensing)
1 month	-10~50°C (1*), 20 ~ 80% RH (non-condensing)

The battery must be charged and discharged once within 6 months of receipt; during storage, the battery must be charged and discharged once every 6 months.

Warranty + Guarantee

Rechargeable batteries are among the consumables that have a limited service life and are subject to continuous loss of performance due to the aging process. Normal wear and tear and continuous loss of performance of the battery are therefore generally excluded from any claims for replacement.

However, Jiecang provides a one-year consumable warranty.

Disclaimer and Exclusion of Liability

The user must determine the suitability of JIECANG products under specific conditions. JIECANG is committed to providing accurate latest product information. However, due to JC's continuous improvement of its products, JC's products may not be notified in advance with frequently changes. Therefore, JIECANG cannot guarantee the correctness and authenticity of the product information. Although JIECANG will do our best to meet the order requirements, for the above reasons, JIECANG cannot guarantee the delivery ability of any specific product. Therefore, JIECANG reserves the right to stop selling any products listed on the website or product catalog or other JIECANG written materials. All sales activities must be carried out in accordance with the requirements of the JIECANG Sales and Delivery Standard Terms. For copies of related documents, please contact JIECANG.



Strictly abiding by medical safety certifications

Passed EMC tests. To ensure our products pass all kinds of tests domestic or abroad.



Communication protocol development

Aiming at different applications, develop more extensive functions for control system.



Professional customization

Powerful R&D strength, fully satisfy customers' needs. Development cycle is about 10 days, seizing more market opportunities



Intelligent Control of Bluetooth

Mobile phone as the remote, applying in home care. Market pioneer, Jiecang provides better choices



Wireless Communication

Controllers adopt high-frequency wireless system. It can avoid interference mixing with signal receivers, assisting in remote control over medical equipment.



Latest Weighing System

Designed for physiotherapy beds and medical care beds. Cantilever carrying weighing sensor, it is applicable to different bedsteads dispensing with any adjustment



Notes for mounting and usage can be found in the corresponding mounting manual