

Control Boxes JCB35R1



Data sheet

Control Boxes JCB35R1

- JCB35R1 is a control box powered by weak voltage, safer for medical or homecare field. Flat house with small occupation, it has less requirements for mounting. Several protection ways help Jiechang actuators run safe and stable.



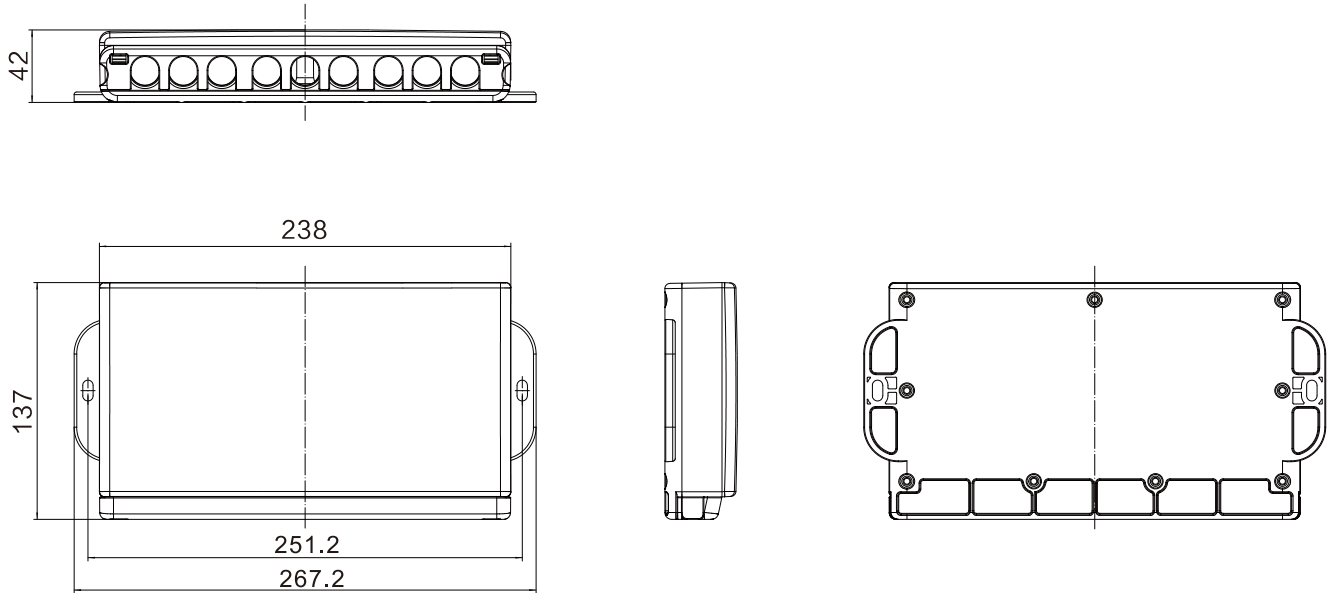
Features

- Powered by weak current (24V), much safer.
- Looking pretty with more flat appearance, and much easier to mount it to bed.
- Can be powered by battery, more flexible in surrounding conditions.

Technical specifications

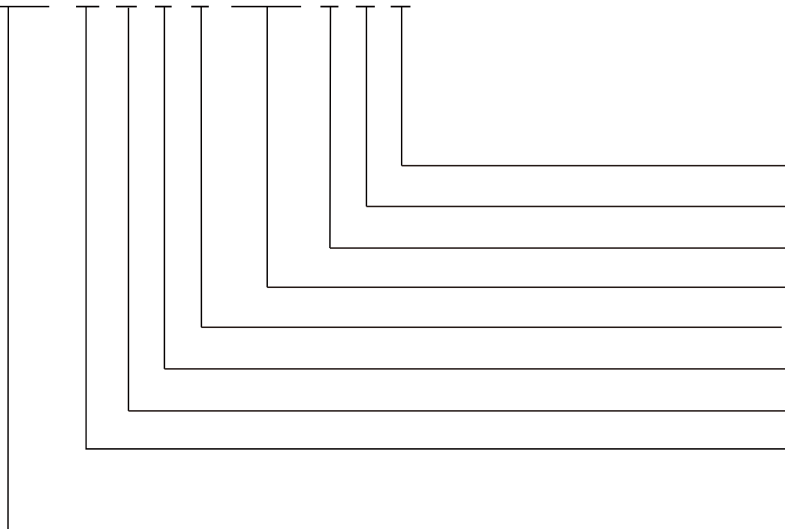
Controllable Actuator Quantity	1-6
Input Voltage	24V (powered by adapter or rechargeable battery)
Plug of the Actuator	Motor straight plug
Plug of the Controller	Motor straight plug
Color	Black/White
Duty Cycle	continuous work for most 2 minutes
Overload Protection	Overcurrent protection, overheat protection
Fuse	External
Cable Length	Optional
IP Rating	Ip66
Ambient Temperature	+5°C-40°C
Certificate Standards	UL60601/CE

Dimensions



Ordering Key

JCB35R1 - M - 6 - 5 - G - R0039 - 0 - 0 - 0



- Feature 2
- Feature 1
- SMPS
- PCB code
- Color
- Input voltage 24V
- Number of actuator outputs
- Optional feature
 - A: with battery
 - M: with chip
 - Y: remote control
- Type