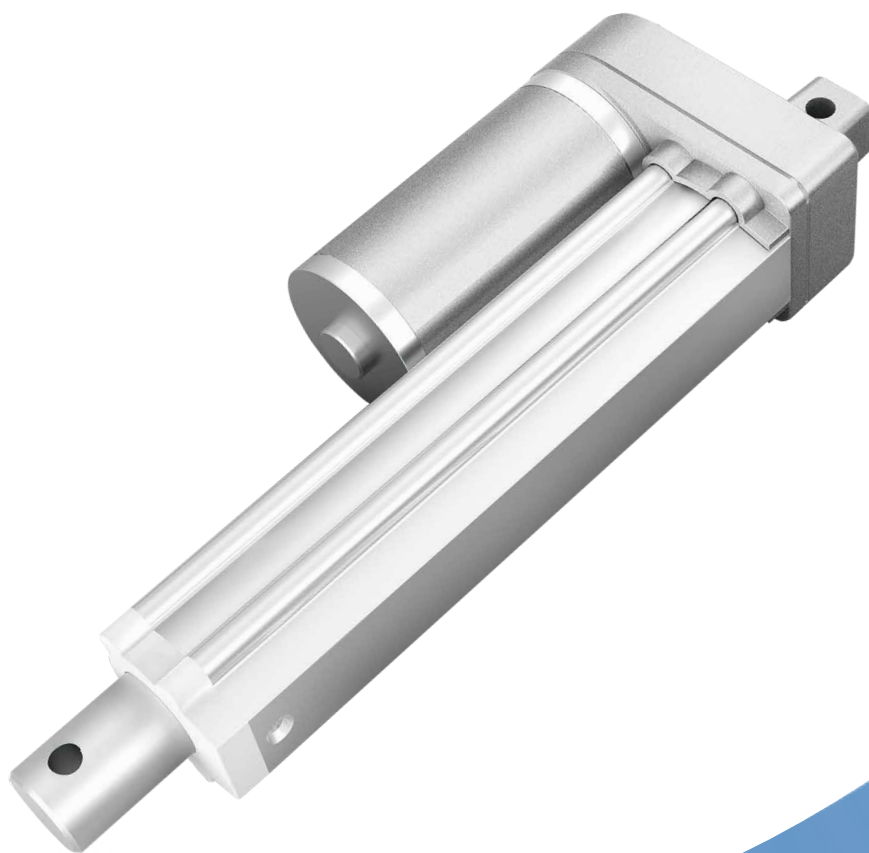


Linear Actuator JC35W1



Data sheet

Linear Actuator JC35W1

Features

- 12/24V DC permanent magnet motor
- Thrust up to 1000 N in push and up to 500 N in pull
- Color: grey
- Standard protection class: IP54
- Aluminium-Alloy outer tube and inner tube, beautiful and corrosion resistant
- The average noise level is lower than 55dB (ambient noise is less than 55dB).
- Built-in electronic limit switches
- High-strength front and back fixtures
- Certificate : CE, UL60601-1, IEC60601-1



Options

/

Usage

- Max 10% or 2 minutes continues use followed by 18 minutes not in use
- Ambient temperature: +5 ° to +40 °
- Matching control box: JCB35E, JCB35Q, JCB35T, JCB35R

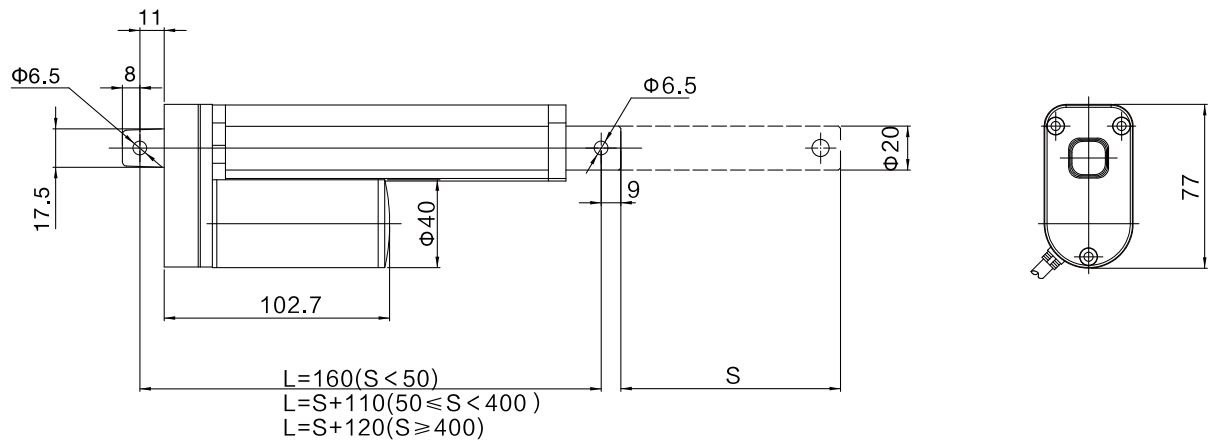
Technical specifications

Spindle pitch (mm)	Max. load push (N)	Max. load pull (N)	Self-lock (N)	Typical speed Unloaded (mm/s)	Typical speed full load (mm/s)	Typical Amp full load (A)
2	1000	500	1000	3	2	1.5
3	750	500	750	5	3	1.5
5	500	500	500	8	6	1.5
10	250	250	250	13	10	1.5
20	125	125	125	30	20	1.5

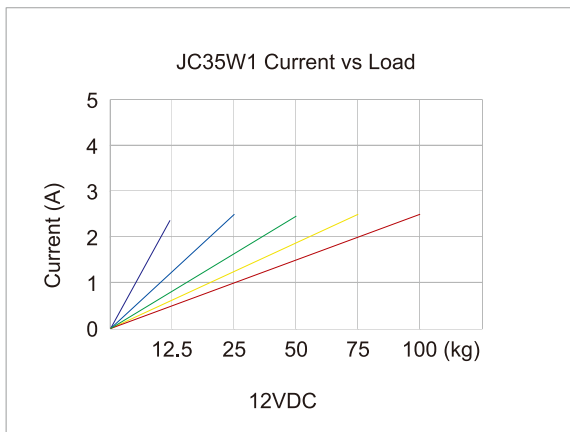
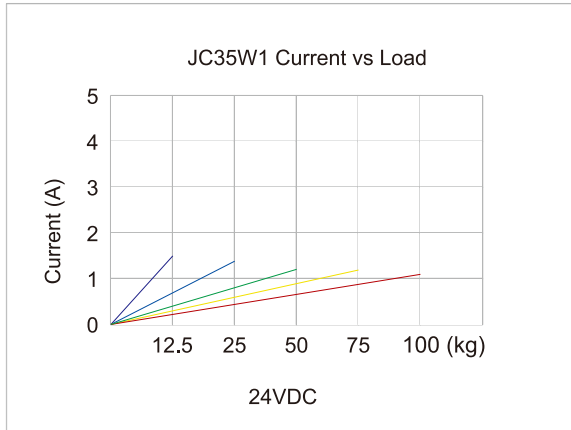
Comments to table

- The above measures are made in connection with 24V DC stabilized voltage supply.
- JIECANG control boxes are designed so that they will short-circuit the motor terminals (poles) of the actuator(s) when the actuator(s) are not running. This solution gives the actuator(s) a higher self-locking ability. If the actuator(s) are not connected to a JIECANG control box, the terminals of the motor must be short-circuited to achieve the self-locking ability of the actuator.

Dimension

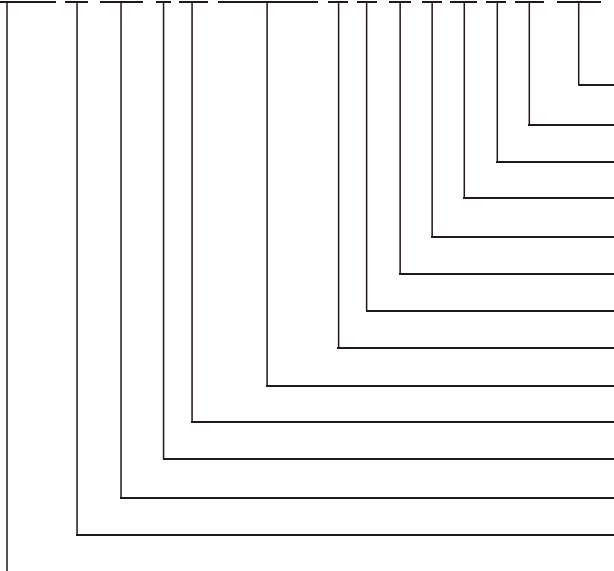


Performance Data



Ordering Key

JC35W1 0 1D0 1 24 100/225 V G 37 L 71 0 02 0D5



Cable length	0D5=0.5M
Plug and cable	
Brake	0=No
Top clevis	71=W type, Φ8
End clevis material	L=Aluminum alloy
End clevis	37=W type, Φ8
Color	G=Grey
Mounting position	H=horizontal V=vertical
Stroke/Retracted length	
Input voltage	24V
Speed at full load	1mm/s
Load capacity	1000N
Optional feature	
Type	