

# JC35L29 Linear Actuator

Application field - Medical Line  
Preferably in homecare nursing or medical beds

JC35L29 is a low-noise, high-load with a load of 8000N.  
JC35L29 is characterized by big load, high speed, the IP grade is IPX6 and low noise.  
It is suitable for medical beds, operating beds and other fields.

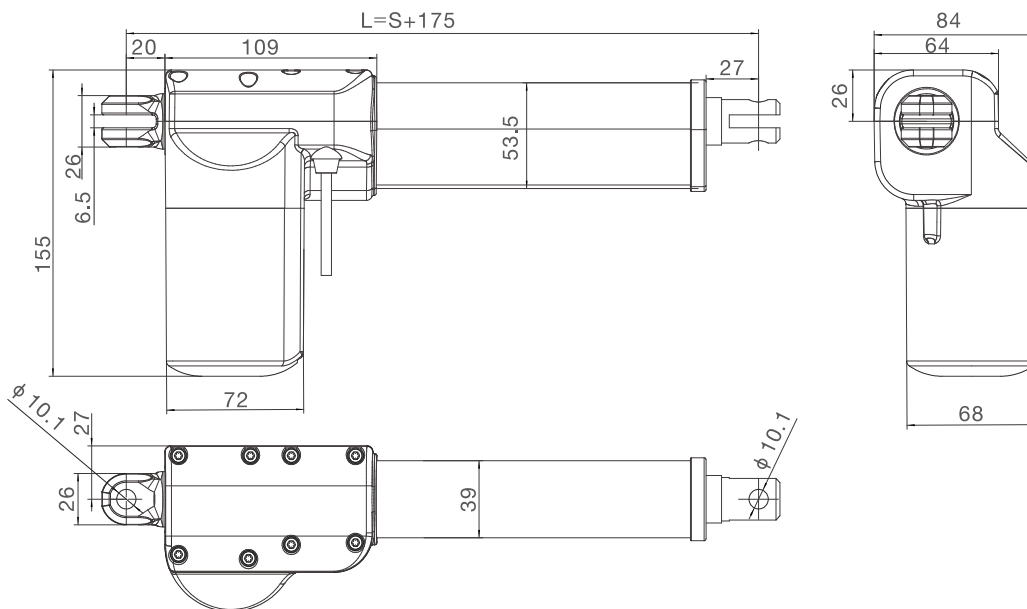


## General Features

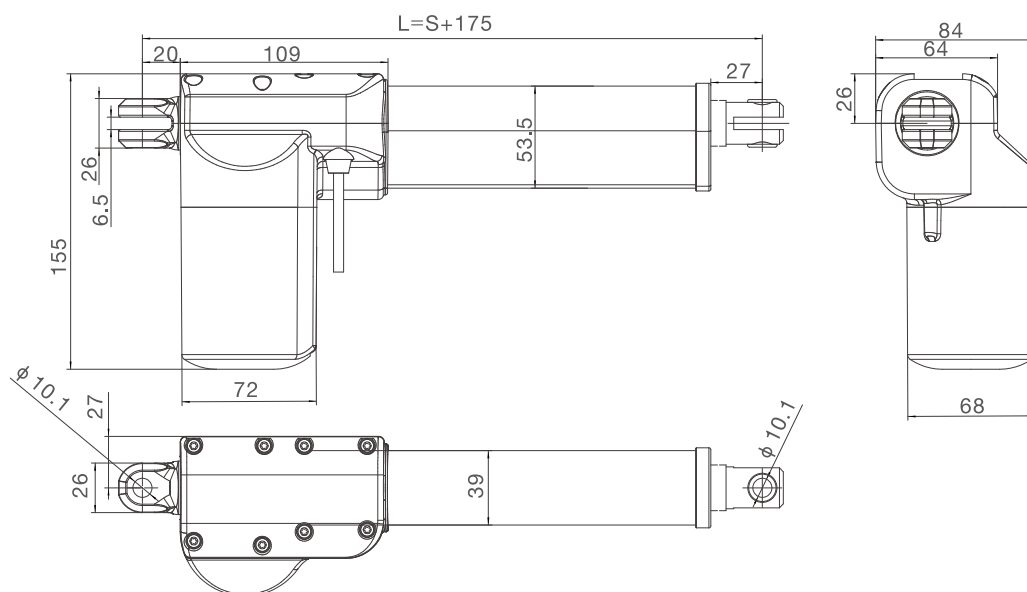
<b>Max./ Static Load push*(N):</b>	8000
<b>Max./ Static Load pull*(N):</b>	4000
<b>Input(VDC):</b>	24
<b>Stroke Length (mm):</b>	50-250mm
<b>Retracted length:</b>	L=S+175(50≤S≤200) L=S+185(200 < S≤250)
<b>Colour:</b>	Gray(RAL7035)
<b>Noise level:</b>	≤48dB(noise of environment≤40dB)
<b>IP Grade:</b>	IPX6
<b>Safety nut:</b>	Standard
<b>Reed switch:</b>	Optional
<b>Hall sensor:</b>	Optional
<b>Weight:</b>	2kg(based on different stroke)
<b>Static bending load:</b>	No bending load
<b>Standards:</b>	IEC60601-1:2012 EN 60601-1:2006+A12:2014 ANSI/AAMI ES60601-1:2005/(R)2012 and A1:2012, C1:2009/(R)2012 and A2:2010/(R)2012

## Dimension Drawing

JC35L29-F03+B01

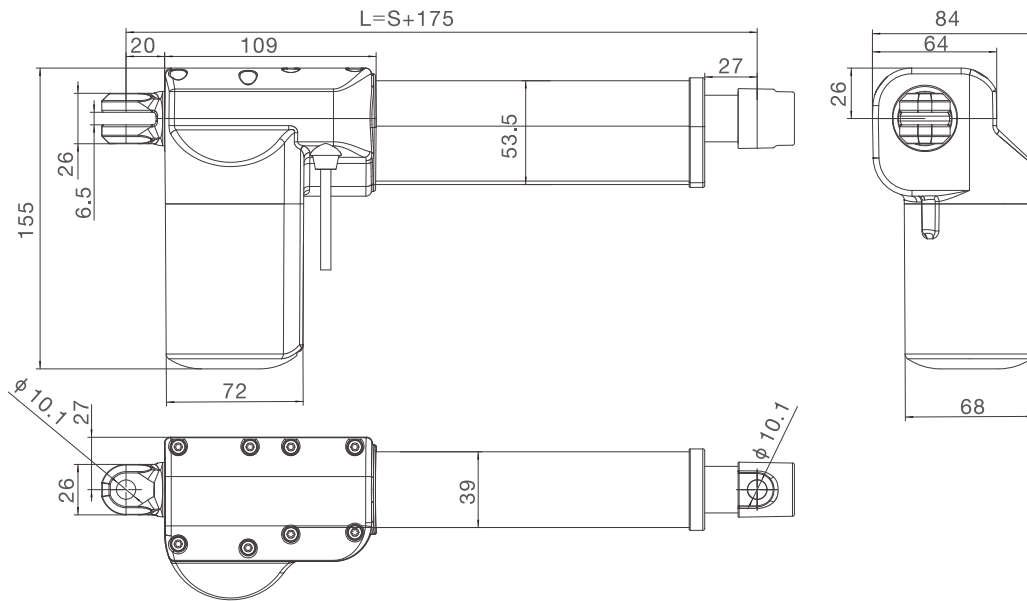


JC35L29-F05+B01



## Dimension Drawing

JC35L29-F09+B01



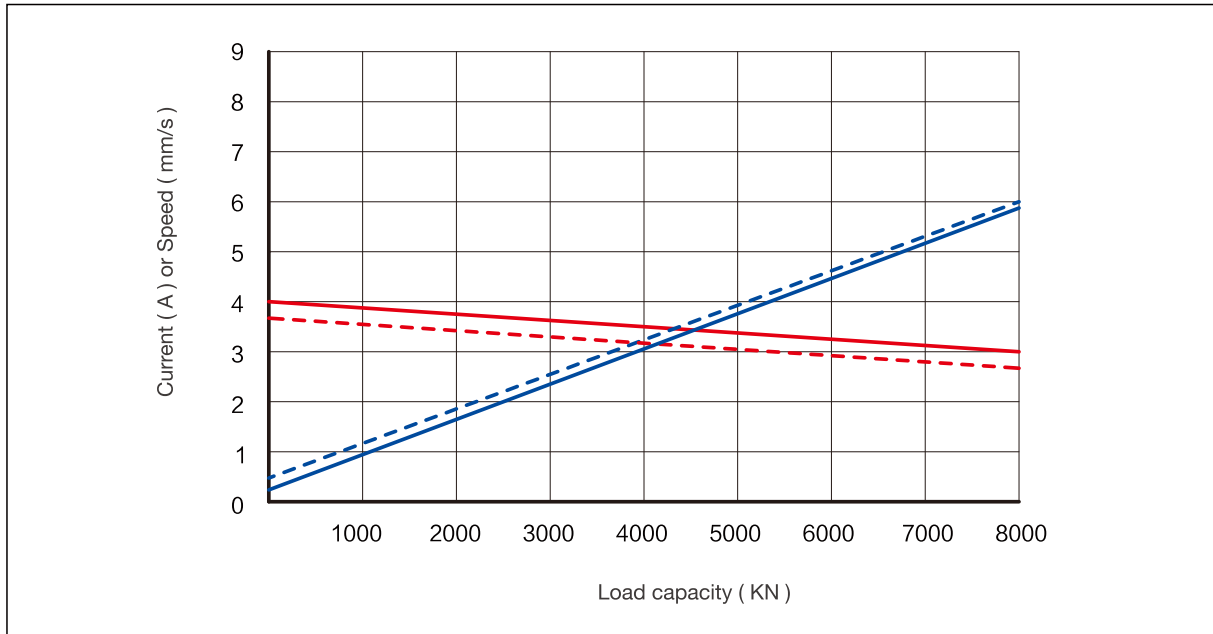
## Technical parameters

Voltage (VDC)	Spindle pitch (mm)	Max.Load capacity (N)	Self locking (N)	Speed no load (mm/s)	Speed full load (mm/s)	Current full load (A)
24	3	8000	8000	4	3	6
29				5	3.5	6

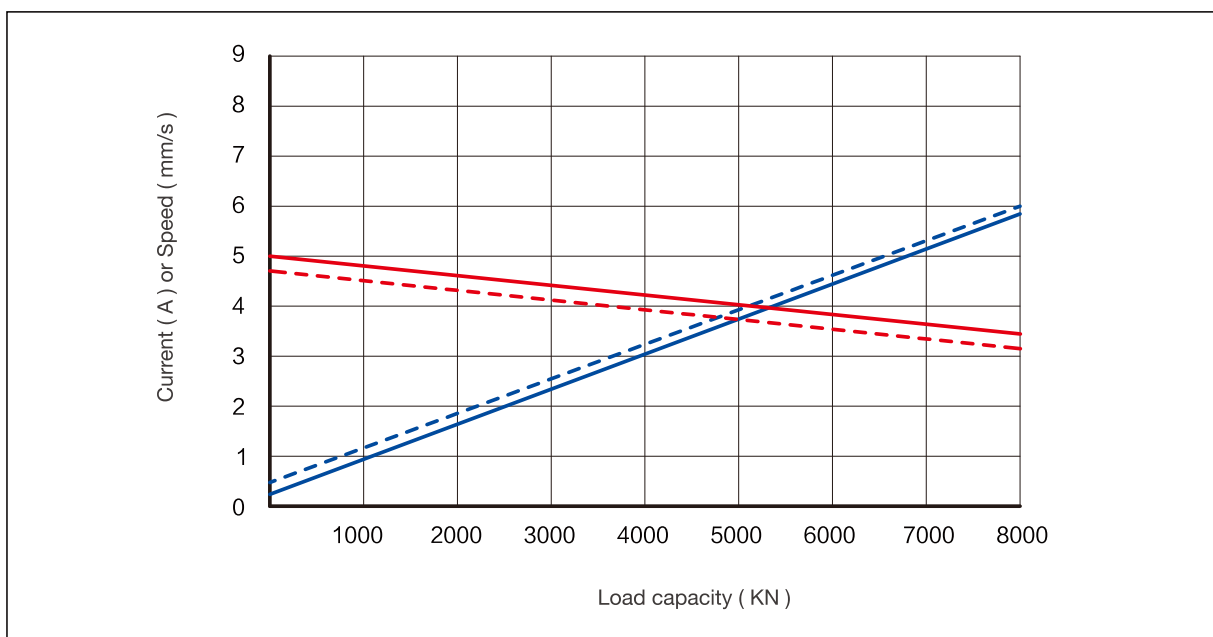
# Characteristic

- Typical speed ———
- Min. speed - - - - -
- Typical current ———
- Max. current - - - - -

## 8000N(24V)



## 8000N(29V)



## Ordering Key

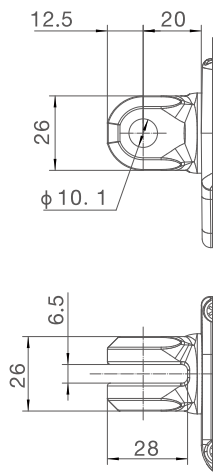
Take **JC35L29S8324150/325HG01L090021D5** for example

Model	<b>JC35L29</b>	
Operational Features	<b>X</b>	S=Safety nut/SY=Safety nut+Hall sensor L=Safety nut+Reed switch
Load in push	<b>8</b>	8=8000N
Speed at full load	<b>3</b>	3=3mm/s
Input voltage	<b>XX</b>	24=24VDC
Stroke length / installation dimensions	<b>XXX/XXX</b>	Stroke length /installation dimensions
Clevis direction	<b>V</b>	H=H direction / V=V direction
Color	<b>G</b>	G=Gray(RAL7035)
End clevis feature	<b>XX</b>	01=B01: slot 6.5,depth of the slot is 28 ,the dimension of hole $\phi$ 10.1,JC35L3 end clevis 13=B13: slot 6.5,depth of the slot is 28, suit the cushion of clevis and the dimension is $\phi$ 10.1,JC35L3 end clevis 20=B20: slot 6.5,depth of the slot is 28 ,the dimension of hole $\phi$ 12.1,JC35L3 end clevis
End clevis material	<b>XX</b>	L=Aluminum alloy
Top clevis feature	<b>XX</b>	03=F03: slot 6.5mm,depth of slot is 26mm, hole is $\phi$ 10.1 suit $\phi$ 24 stainless steel tube,aluminum ,steel top clevis 04=F04: slot 6.5mm,depth of slot is 26mm,outer diameter 24, hole is $\phi$ 12.5 , suit $\phi$ 24 aluminum and with cushion of clevis, the hole is $\phi$ 10.1 05=F05: slot 6.5mm,depth of slot is 26mm,outer diameter 24, hole is $\phi$ 12.5 , suit $\phi$ 24 aluminum and with cushion of clevis, the hole is $\phi$ 10.1 09=F09: the hole of inner tube is $\phi$ 14.2, the hole is 17mm far from the end, add the top clevis cushion of D type actuators(white) 43=F43: Not slotted, hole diameter 12.5 with $\psi$ 24 steel pipe or aluminum pipe, with slider bushing hole diameter 10.2
Brake specification	<b>X</b>	0=No brake
Type of plug and cable	<b>XX</b>	02=4 pin straight plug 2 pin straight cable 10=5 pin straight plug 6 pin straight cable 93=6-core ET waterproof bend insert 6 pin straight cable
Cable length	<b>XXX</b>	1D5=1.5m

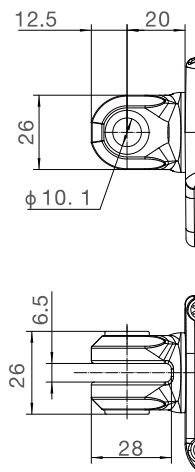
## Ordering Details

### Dimension drawing of End clevis

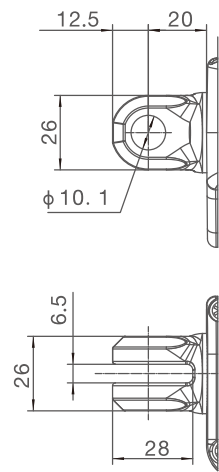
B01



B13

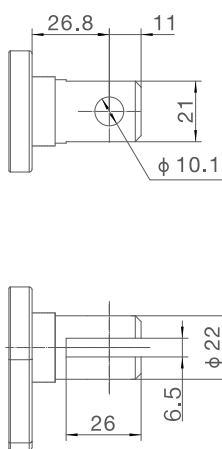


B20

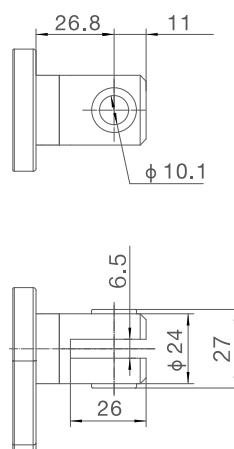


### Dimension drawing of Top clevis

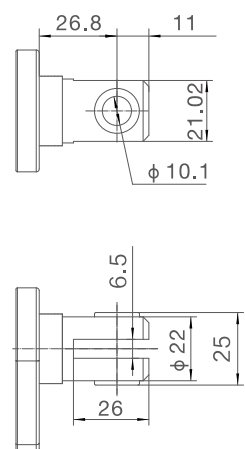
F03



F04

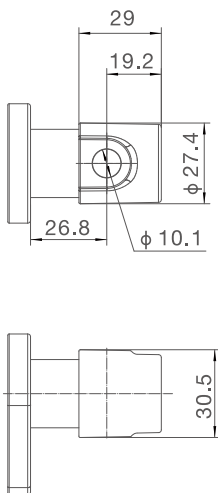


F05

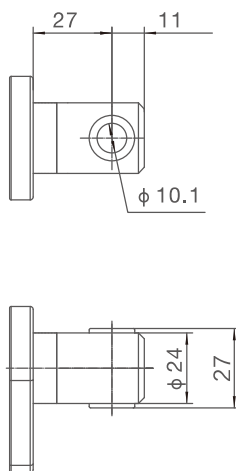


**Dimension drawing of Top clevis**

**F03**



**F43**

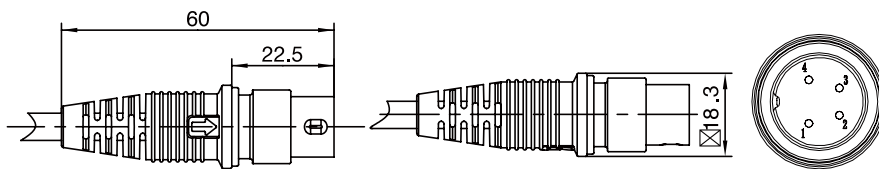


**Motor wire**

4-pin straight plug (standard)

Matching controller: JCB35Q/  
JCB35T/ JCB35R/ JCB35R1/  
JCB35S/ JCB35K2

Pin	Color	Function
1	NC	Not connected
2	Brown	When positive voltage power on, actuator will go down
3	Blue	When positive voltage power on, actuator will go up
4	NC	Not connected
Outer ring	NC	Not connected



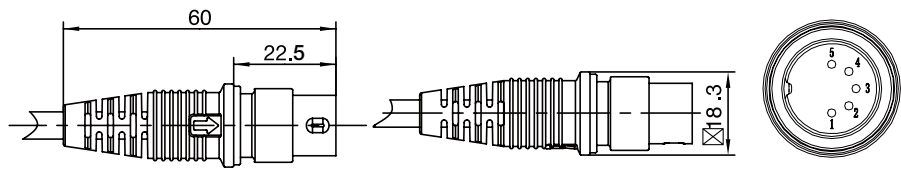


5 pin DIN plug  
(with Hall sensor)

Matching controller: JCB35Q/  
JCB35T/ JCB35R/ JCB35R1/  
JCB35S/ JCB35K2



Pin	Color	Function
1	Red	5V
2	Brown	When positive voltage power on, actuator will go down
3	Black	GND
4	Blue	When positive voltage power on, actuator will go up
5	Yellow	Hall signal 1
Outer ring	Orange	Hall signal 2

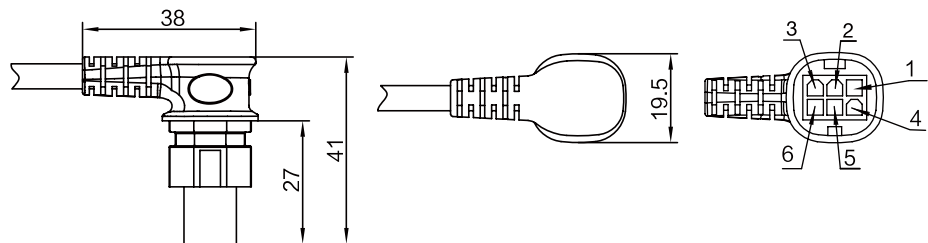


6 Pin Mini-Fit elbow plug

Matching control box :JCB35T2/  
JCB35T3/JCB35Q3/JCB35K3



Pin	Color	Function
1	Orange	When not on lower limit, link with red wire
2	Black	When not on upper limit, link with yellow wire
3	Red	When not on lower limit, link with orange wire
4	Brown	When positive voltage power on, actuator will go down
5	Blue	When positive voltage power on, actuator will go up
6	Yellow	When not on upper limit, link with black wire





**Strictly abiding by medical safety certifications**

passed EMC tests. To ensure our products pass all kinds of tests domestic or abroad.



**Communication protocol development**

aiming at different applications, develop more extensive functions for control system.



**Professional customization**

powerful R&D strength, fully satisfy customers' needs. Development cycle is about 10 days, seizing more market opportunities



**Intelligent Control of Bluetooth**

mobile phone as the remote, applying in home care. Market pioneer, Jiecang provides better choices



**Wireless Communication**

Controllers adopt high-frequency wireless system. It can avoid interference mixing with signal receivers, assisting in remote control over medical equipment.



**Latest Weighing System**

designed for physiotherapy beds and medical care beds. Cantilever carrying weighing sensor, it is applicable to different bedsteads dispensing with any adjustment.



Notes for mounting and usage can be found in the corresponding mounting manual