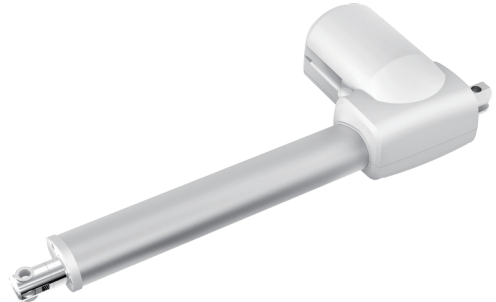


# JC35L18 Linear Actuator

Application field - Medical Line

Preferably in medical bed, operating bed, nursing bed and other fields.

JC35L18 is a kind of actuator with low noise and high load capacity. It has following specifications: JC35L18-8000N (push); JC35L18-6000N (push). JC35L18 is characterized by large load capacity, short installation dimensions, high IP grade(IPX6W) and low noise.

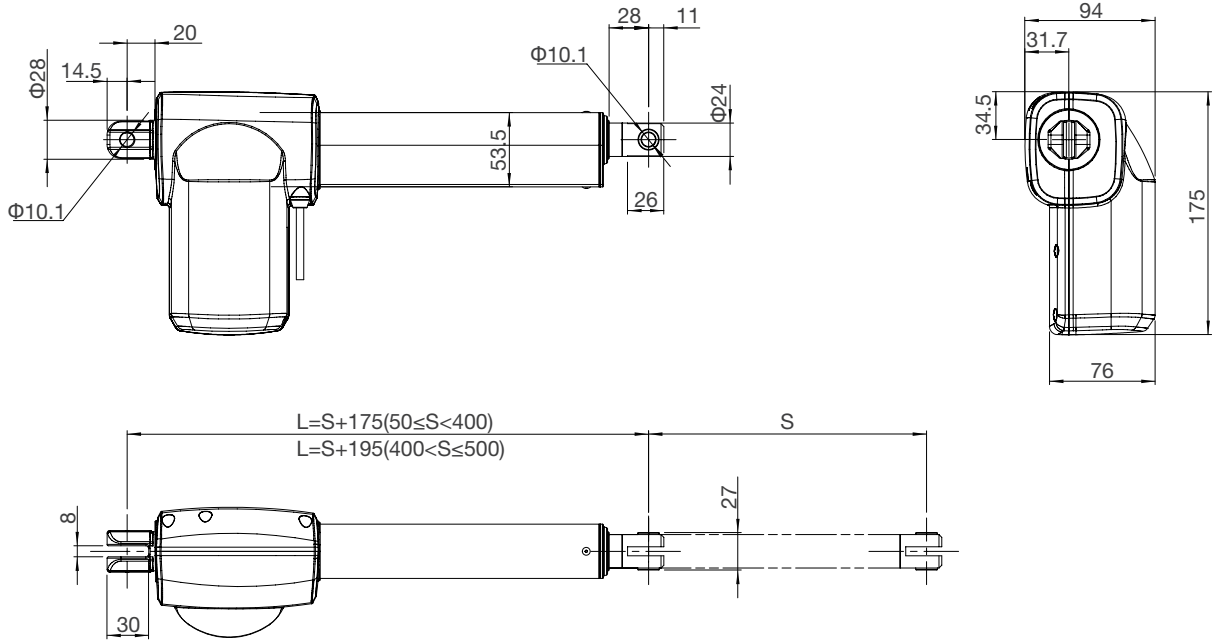


## General Features

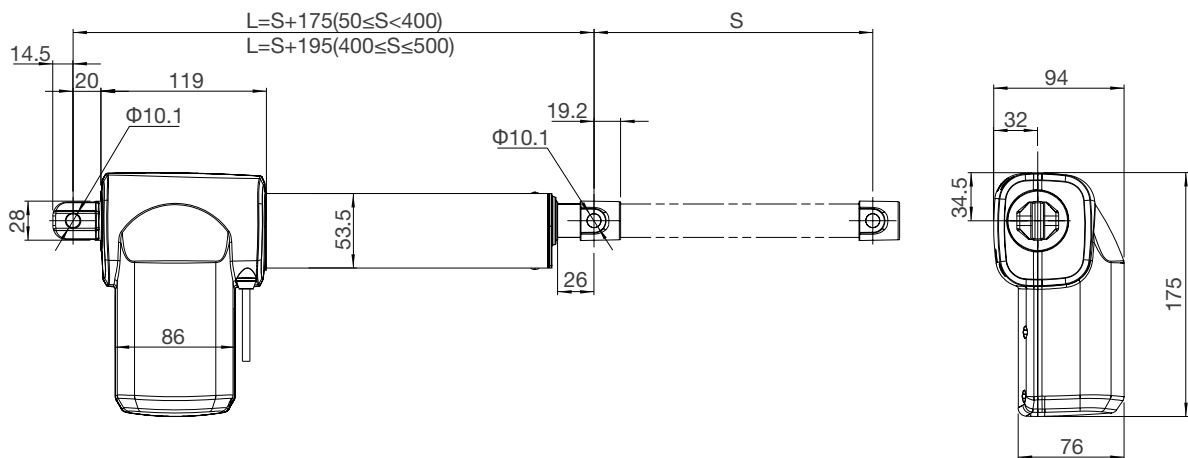
<b>Dynamic load push (N):</b>	8000   6000
<b>Motor rated voltage Input (VDC):</b>	24
<b>Stroke length (mm):</b>	8000N: 50-300mm 6000N: 50-500mm
<b>Retracted length(mm):</b>	L=225 (S ≤ 50) L=S+175 (50 < S ≤ 400) L=S+195 (400 < S ≤ 500)
<b>Colour:</b>	Grey (RAL 7035)
<b>Limit switch:</b>	Built-in (electrical)
<b>Noise level:</b>	≤ 50dB (Environmental noise ≤ 40dB)
<b>Weight:</b>	About 3kg (different stroke length and installation dimensions with different weight )
<b>Static bending moment:</b>	Lateral load are not allowed
<b>Duty cycle:</b>	10%, max. 2min. continuous use
<b>Max IP grade:</b>	IPX6W
<b>Options:</b>	Safety nut, Hall sensor, Only push
<b>Standards:</b>	IEC60601-1: 2012 EN 60601-1: 2006+A12:2014 ANSI/AAMI ES60601-1: 2005/(R)2012 and A1: 2012, C1: 2009/(R)2012 and A2: 2010/(R)2012

## Dimension Drawing

### Top clevis F14, end clevis B04



### Top clevis F08, end clevis B04

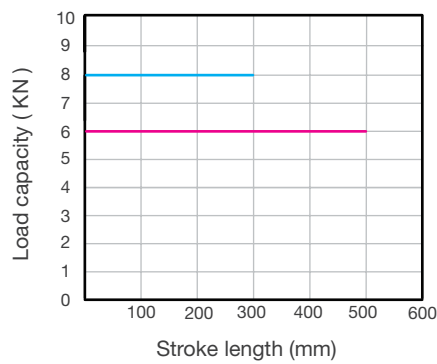


## Technical parameters

Power voltage (VDC)	Spindle pitch (mm)	Max.Load capacity (N)	Self locking (N)	Speed no load (mm/s)	Speed full load (mm/s)	Current full load (A)
24	3	8000	8000	4.3	3	6
24	4	6000	6000	5.5	4	5
29	3	8000	8000	5	4	5.5
29	4	6000	6000	7	5.5	5
36	3	8000	8000	6.5	5	6
36	4	6000	6000	9	7	5

Remark: the above data are typical values at 25 °C

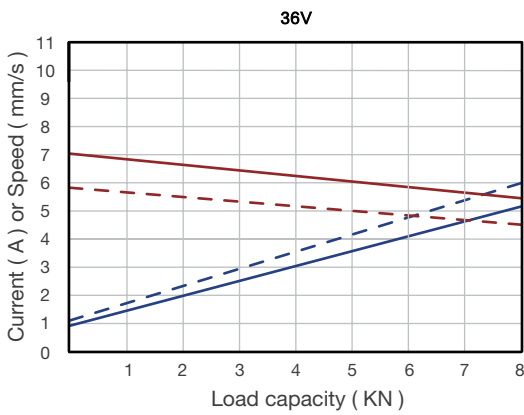
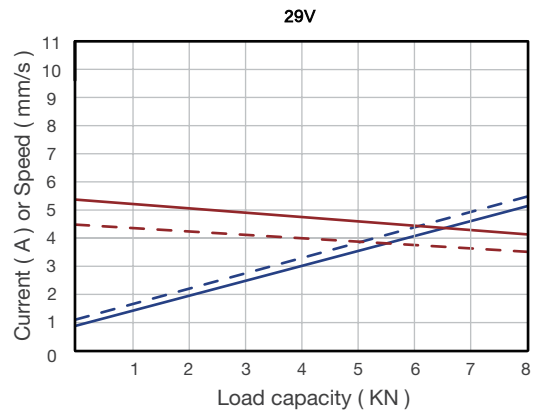
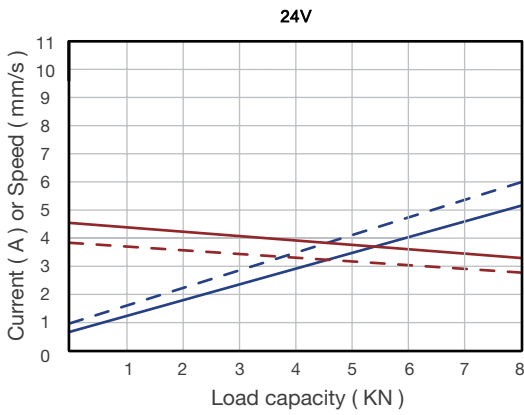
## Stroke length versus load



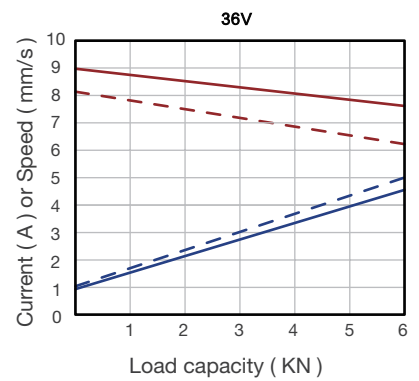
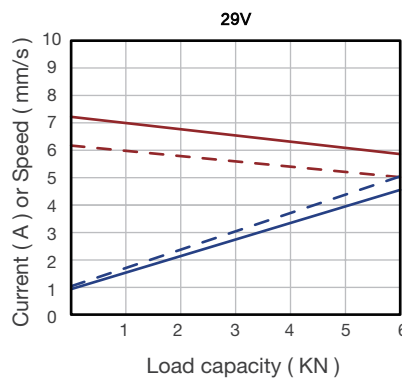
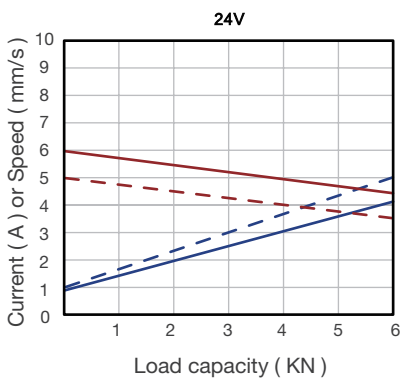
# Characteristic

Typical speed ————  
 Min. speed - - - - -  
 Typical current ————  
 Max. current - - - - -

## 8000N



## 6000N



## Ordering Key

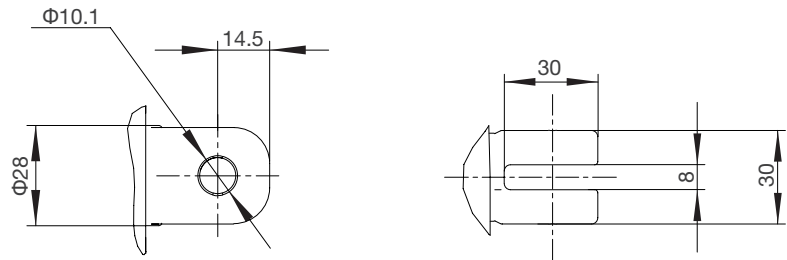
Take **JC35L1808324200/375HG04L142022D0** for example

Model	<b>JC35L18</b>	
Optional features	<b>0</b>	O = Standard / P = Only push / S = Safety nut / Y = Hall sensor PY=Only push + Hall sensor / SY= Safety nut+ Hall sensor
Load in push	<b>8</b>	8 = 8000N 6 = 6000N
Speed at full load	<b>3</b>	3 = 3mm/s 5D5 = 5.5mm/s
Input voltage	<b>24</b>	24 = 24 VDC
Stroke length/ Installation dimension	<b>200/375</b>	Stroke length = XXX Installation dimension = XXX
Clevis directions	<b>V</b>	H = H direction / V = V direction
Color	<b>G</b>	G = Grey (RAL7035)
End clevis specification	<b>04</b>	04 = B04; slot 8, slot depth 30, and the hole diameter is $\varnothing$ 10.1, JC35L18 end clevis
End clevis material	<b>L</b>	L = Aluminium alloy
Top clevis specification	<b>14</b>	14 = F14: slot width 6.5, slot depth 26, hole diameter is $\varnothing$ 12.5 with $\varnothing$ 24 aluminum tube and $\varnothing$ 10.1 plastic bushings, 08 = F08: Without slot, plastic bushings in 10.1 (gray RAL7035)
Brake specification	<b>2</b>	2 = Brake in pull
Type of plug and cable	<b>02</b>	02 = 4-pin DIN plug 10 = 5 pin DIN plug 93 = 6 pin Molex elbow plug
Cable length	<b>2D0</b>	2D0 = 2m / 0D5 = 0.5m

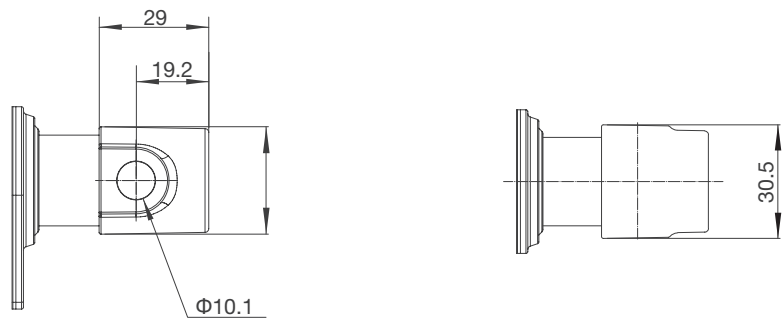
## Ordering Details

### Dimension drawing of clevis

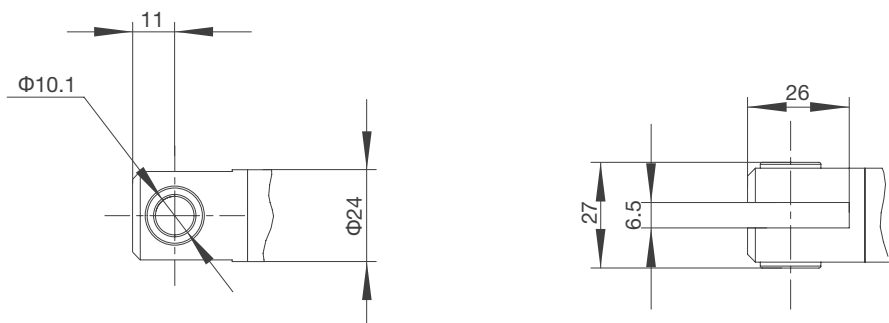
#### End clevis: B04



#### Top clevis: F08



#### Top clevis: F14

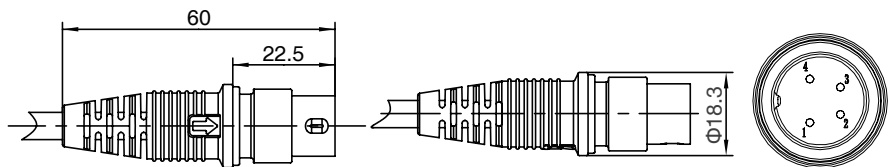


**Motor wire**

**4-pin straight plug (standard)**

Matching controller: JCB35Q/  
JCB35T/ JCB35R/ JCB35R1/  
JCB35S/ JCB35K2

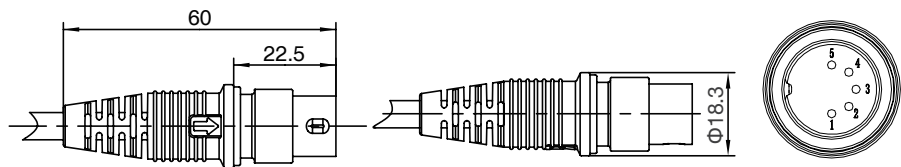
Pin	Color	Function
1	NC	Not connected
2	Brown	When positive voltage power on, actuator will go down
3	Blue	When positive voltage power on, actuator will go up
4	NC	Not connected
Outer ring	NC	Not connected



**5 pin DIN plug  
(with Hall sensor)**

Matching controller: JCB35Q/  
JCB35T/ JCB35R/ JCB35R1/  
JCB35S/ JCB35K2

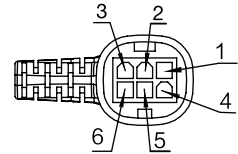
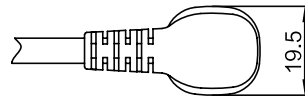
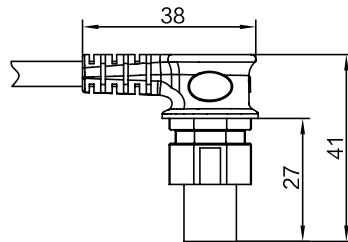
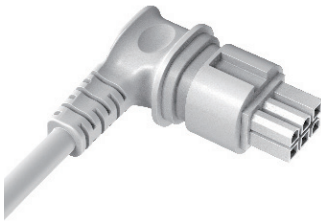
Pin	Color	Function
1	Red	5V
2	Brown	When positive voltage power on, actuator will go down
3	Black	GND
4	Blue	When positive voltage power on, actuator will go up
5	Yellow	Hall signal 1
Outer ring	Orange	Hall signal 2



### 6 Pin Mini-Fit elbow plug

Matching control box :JCB35T2/  
JCB35T3/JCB35Q3/JCB35K3

Pin	Color	Function
1	Orange	When not on lower limit, link with red wire
2	Black	When not on upper limit, link with yellow wire
3	Red	When not on lower limit, link with orange wire
4	Brown	When positive voltage power on,actuator will go down
5	Blue	When positive voltage power on,actuator will go up
6	Yellow	When not on upper limit, link with black wire







#### **Strictly abiding by medical safety certifications**

Passed EMC tests. To ensure our products pass all kinds of tests domestic or



#### **Communication protocol development**

Aiming at different applications, develop more extensive functions for control system.



#### **Professional customization**

Powerful R&D strength, fully satisfy customers' needs. Development cycle is about 10 days, seizing more market opportunities



#### **Intelligent Control of Bluetooth**

Mobile phone as the remote, applying in home care. Market pioneer, Jiecang provides better choices



#### **Wireless Communication**

Controllers adopt high-frequency wireless system. It can avoid interference mixing with signal receivers, assisting in remote control over medical equipment.



#### **Latest Weighing System**

Designed for physiotherapy beds and medical care beds. Cantilever carrying weighing sensor, it is applicable to different bedsteads dispensing with any adjustment



Notes for mounting and usage can be found in the corresponding mounting manual