

# Linear Actuators JC35K1



Data sheet

## Linear Actuators JC35K1

### Features

- 24V DC permanent magnet motor
- Thrust up to 8000 N in push and up to 8000 N in pull
- Color: grey
- Standard protection class: IP54
- Aluminium-Alloy outer tube and inner tube, beautiful and corrosion resistant
- The average noise level is lower than 45dB (ambient noise is less than 40dB).
- Built-in electronic limit switches
- Certificate : CE



---

### Options

- Only push no pull function: optional
- Manual operation: optional

### Usage

- Max 10% or 2 minutes continues use followed by 18 minutes not in use
- Ambient temperature: +5 ° to +40 °
- Matching control box: JCB35K, JCB35K2

---

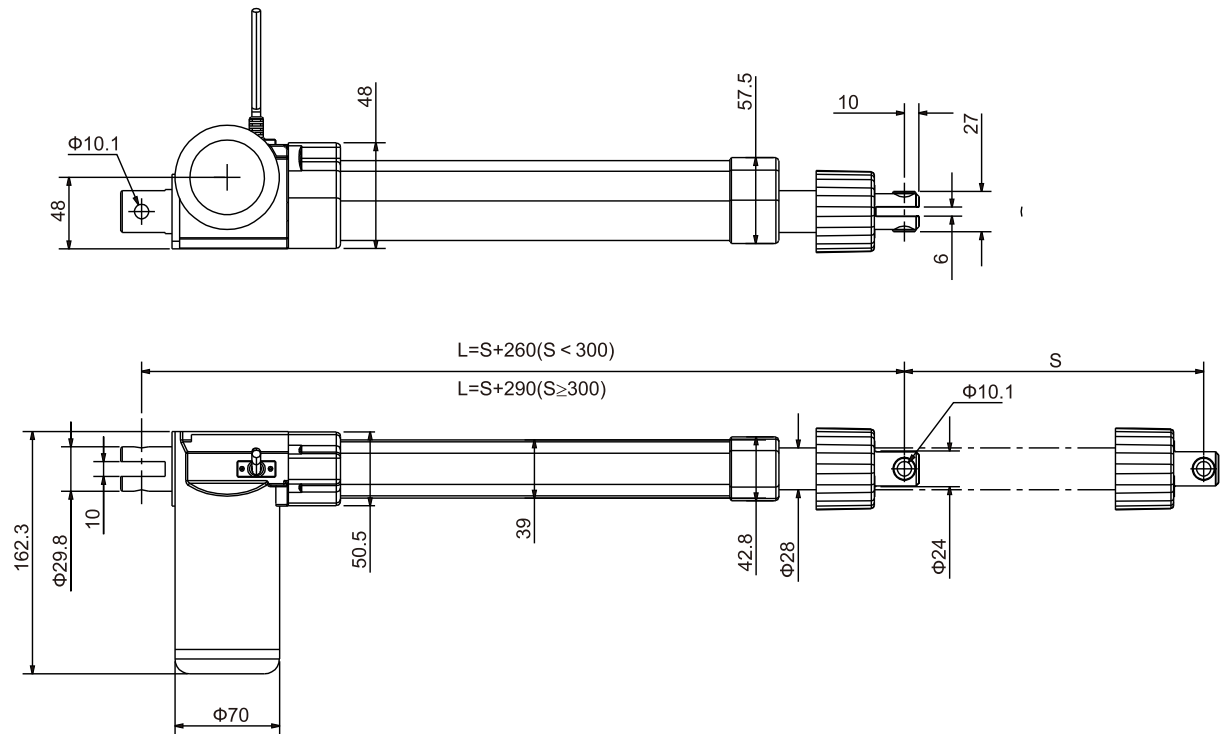
## Technical specifications

Spindle pitch (mm)	Max. load push (N)	Max. load pull (N)	Self-lock (N)	Typical speed Unloaded (mm/s)	Typical speed full load (mm/s)	Typical Amp full load (A)
3	8000	8000	8000	6.5	3.5	7.5

### Comments to table

- The above measures are made in connection with 24V DC stabilized voltage supply.
- JIECANG control boxes are designed so that they will short-circuit the motor terminals (poles) of the actuator(s) when the actuator(s) are not running. This solution gives the actuator(s) a higher self-locking ability. If the actuator(s) are not connected to a JIECANG control box, the terminals of the motor must be short-circuited to achieve the self-locking ability of the actuator.
- Stroke: 300mm or 350mm

## Dimension

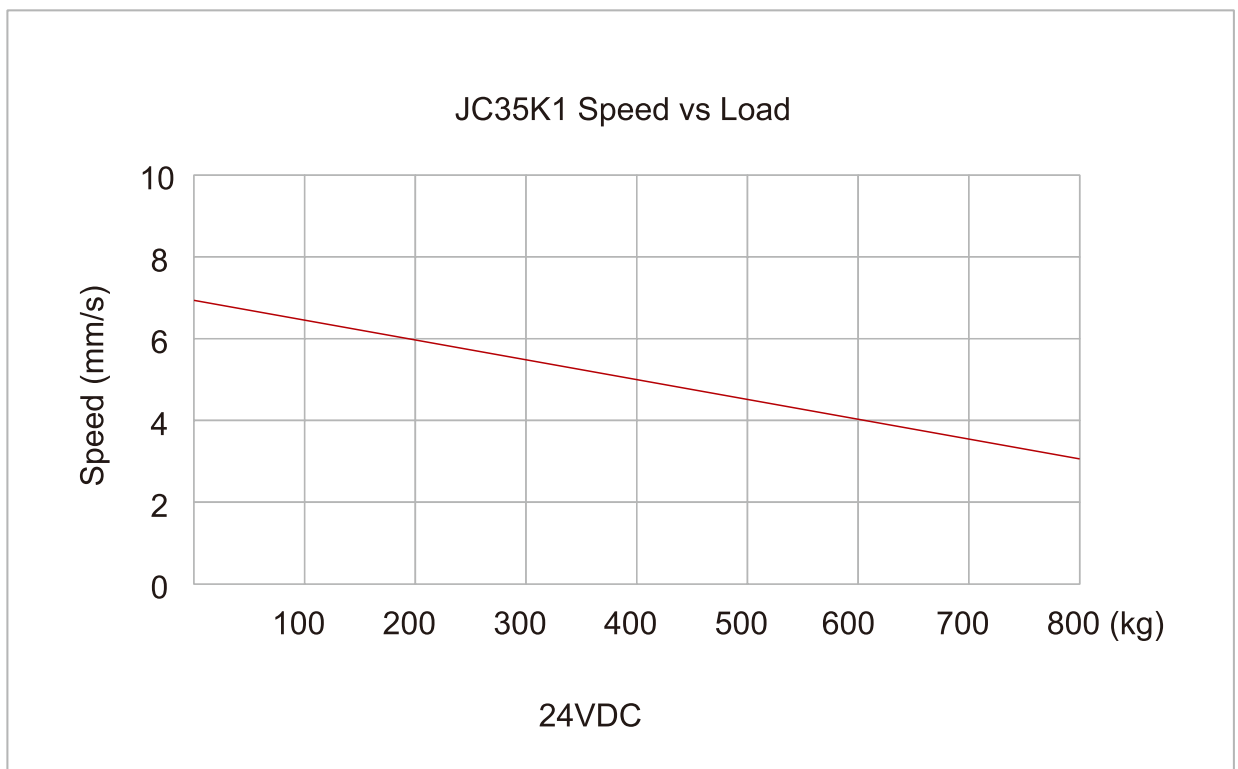
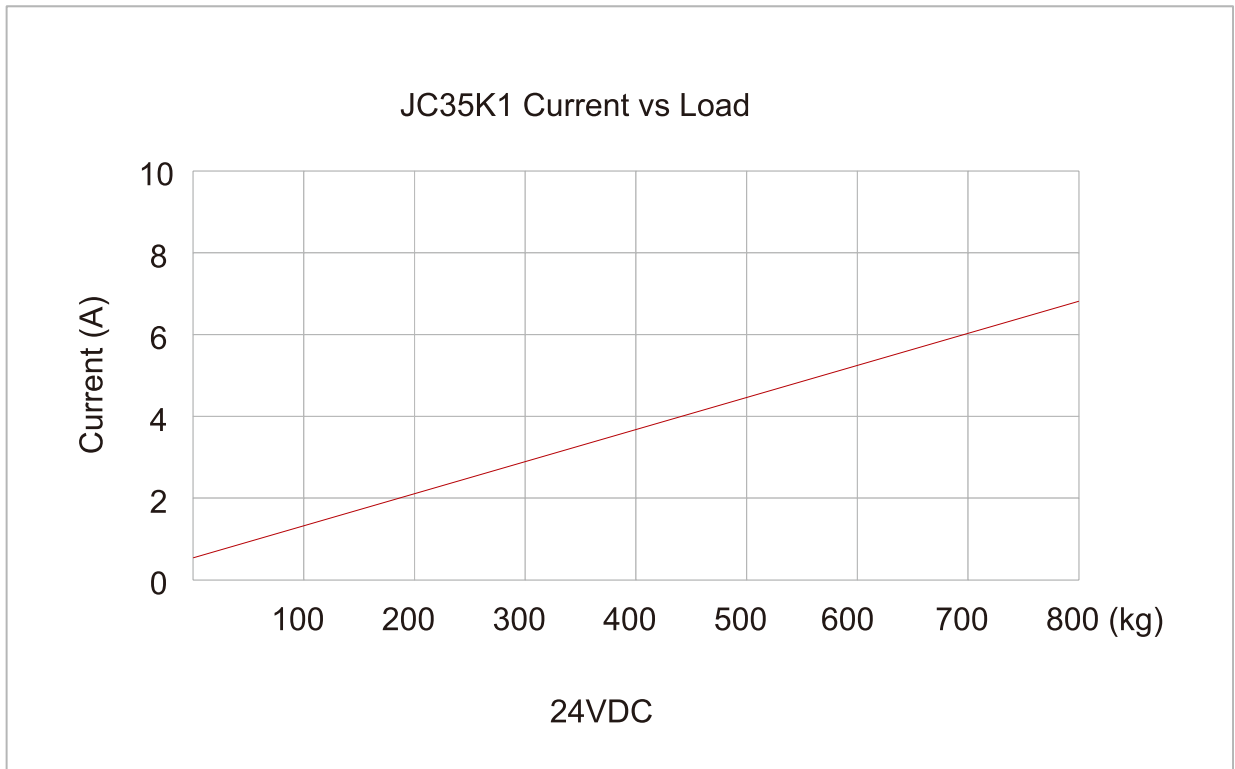


## Installation dimensions

$$L = S + 260 \quad (S < 300)$$

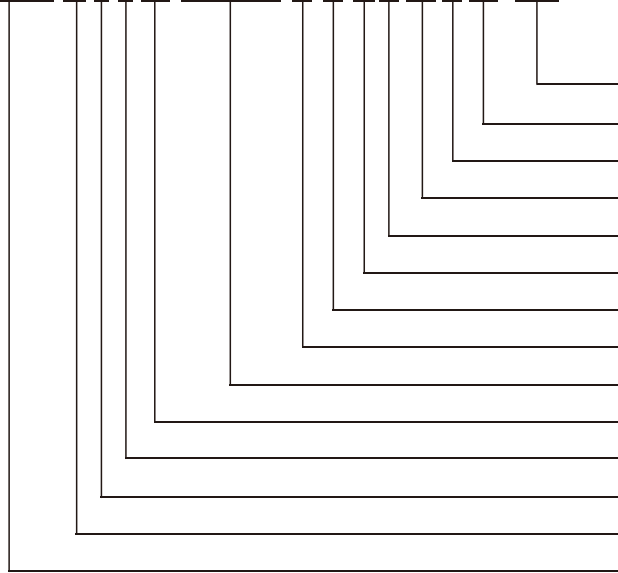
$$L = S + 290 \quad (S \geq 300)$$

## Performance Data(24V)



## Ordering Key

JC35K1 X 8 3 24 300/590 H G G T 28 2 03 1D0



Cable length	1D0=1M
Plug and cable	
Brake	1=left 2=right
Top clevis	
End clevis material	T=cast and steel integration
End clevis	G=slot10,hole10.1
Color	G=Grey
Mounting position	H=horizontal V=vertical
Stroke/Retracted length	
Input voltage	24V
Speed at full load	3mm/s
Load capacity	8000N
Optional feature	0 standard
Type	H Manual operation option P Anti-pitch option