

JC35C Linear Actuator

Application field - Medical Line

Preferably in medical bed, operating bed, nursing bed and other fields.

JC35C is a kind of actuator with low noise and high load capacity. It has following specifications: JC35C-8000(push); JC35C-6000N(push); JC35C-4000N(push); JC35C-2000N(push); JC35C-4000N(pull); JC35C-2000N(pull). JC35C is characterized by large load, high speed and low noise.

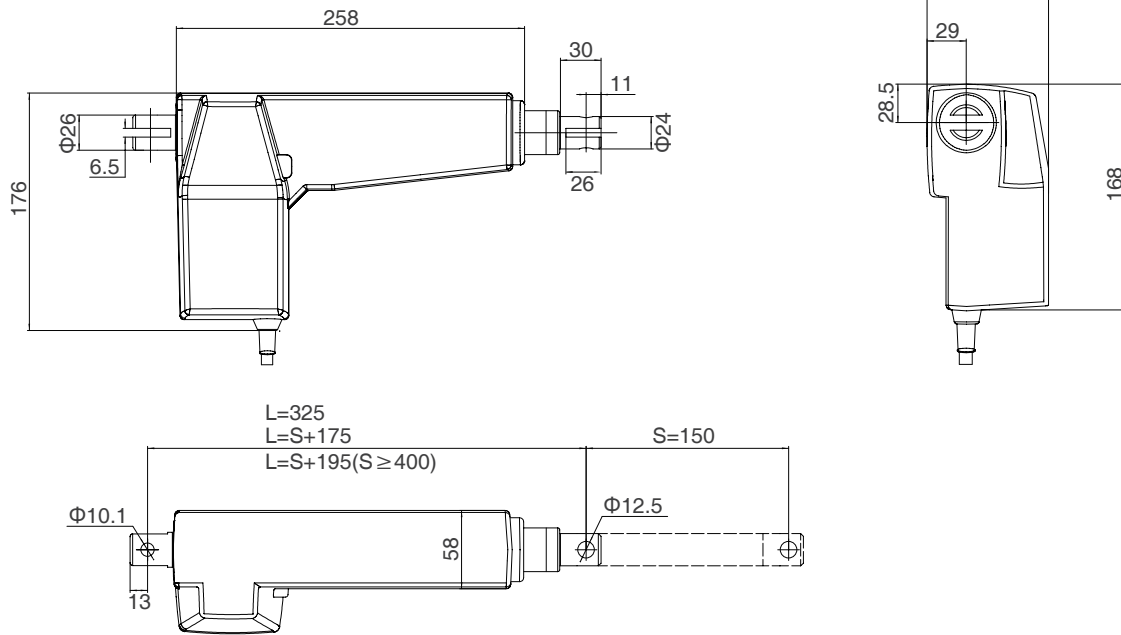


General Features

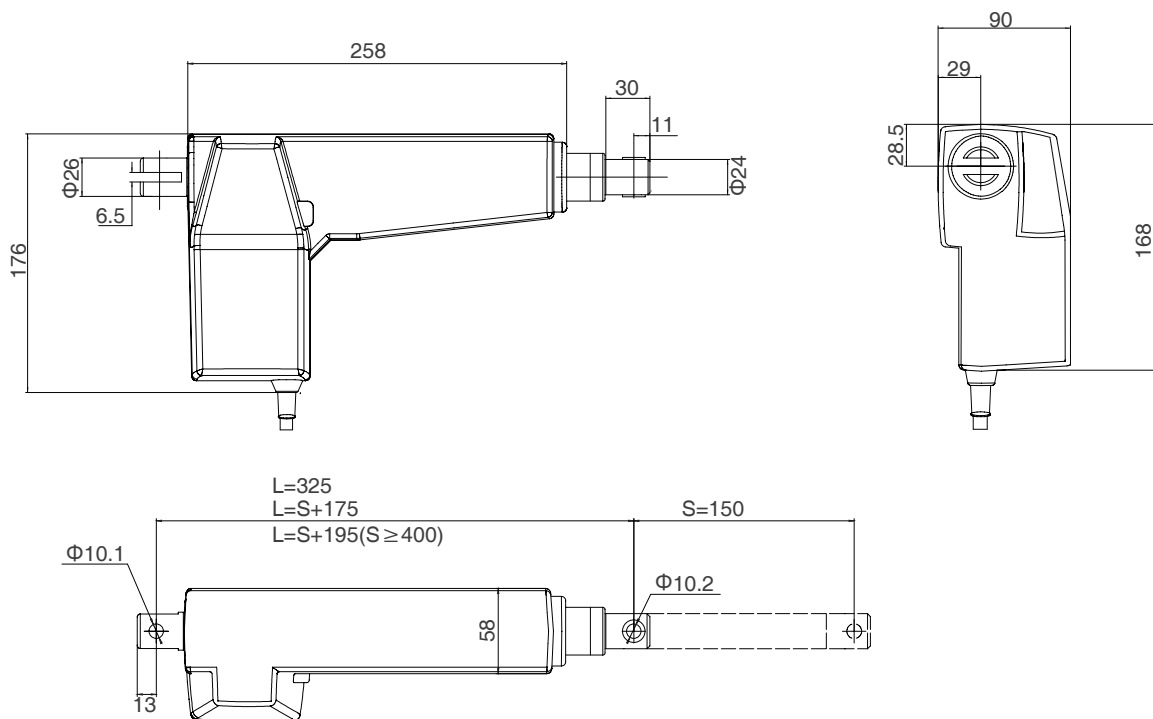
Load in push (N):	8000 6000 4000 2000
Load in pull (N):	4000 2000
Stroke length:	8000N: 50-400mm 6000N: 50-400mm 4000N: 50-500mm 2000N: 50-550mm
Installation dimensions (mm):	L=S+175(Lmin=325) L=S+195(S≥400)
Colour:	Gray / black
Limit switch:	Built-in (electrical)
Weight:	About 2kg (different stroke length and installation dimensions with different weight)
Noise level:	≤50dB (environmental noise ≤40dB)
Static bending moment:	Lateral load is not allowed
Duty cycle:	10%, max. 2 min. continuous working and 18 min. off
IP grade:	IPX4
Options:	Reed switch
Standards:	IEC60601-1:2012 EN60601-1:2006+A12:2014 ANSI/AAMI ES60601-1:2005 (R) 2012 and A1:2012, C1:2009/ (R) 2012 and A2:2010/ (R)2012

Dimension Drawing

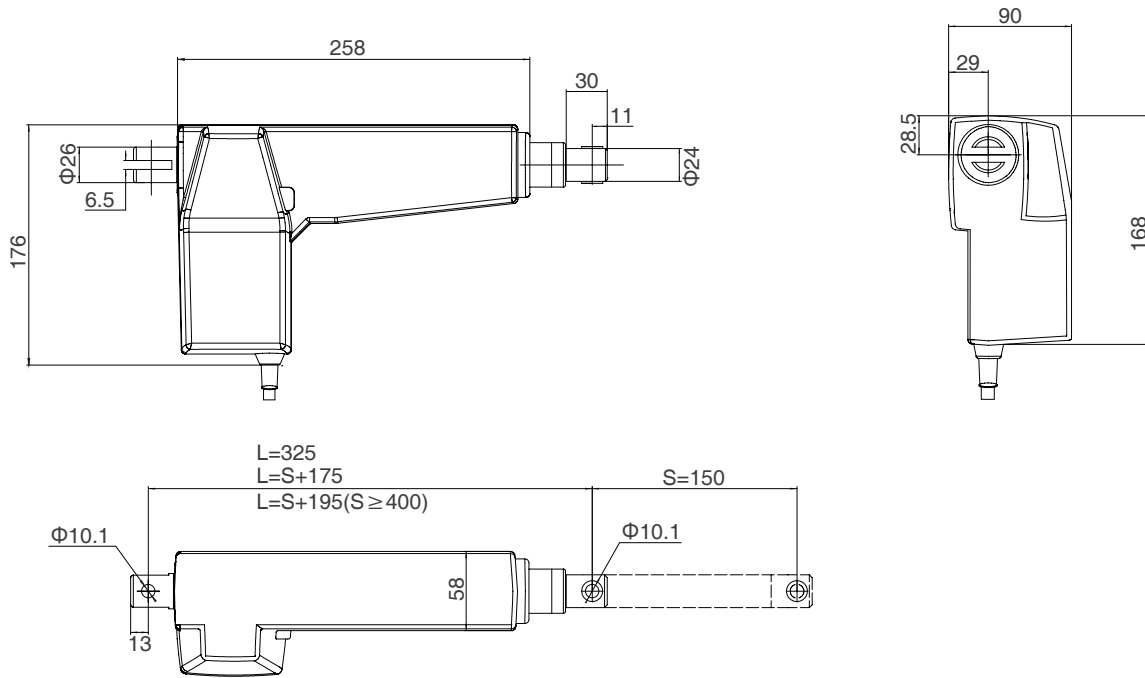
Top clevis F01, end clevis D



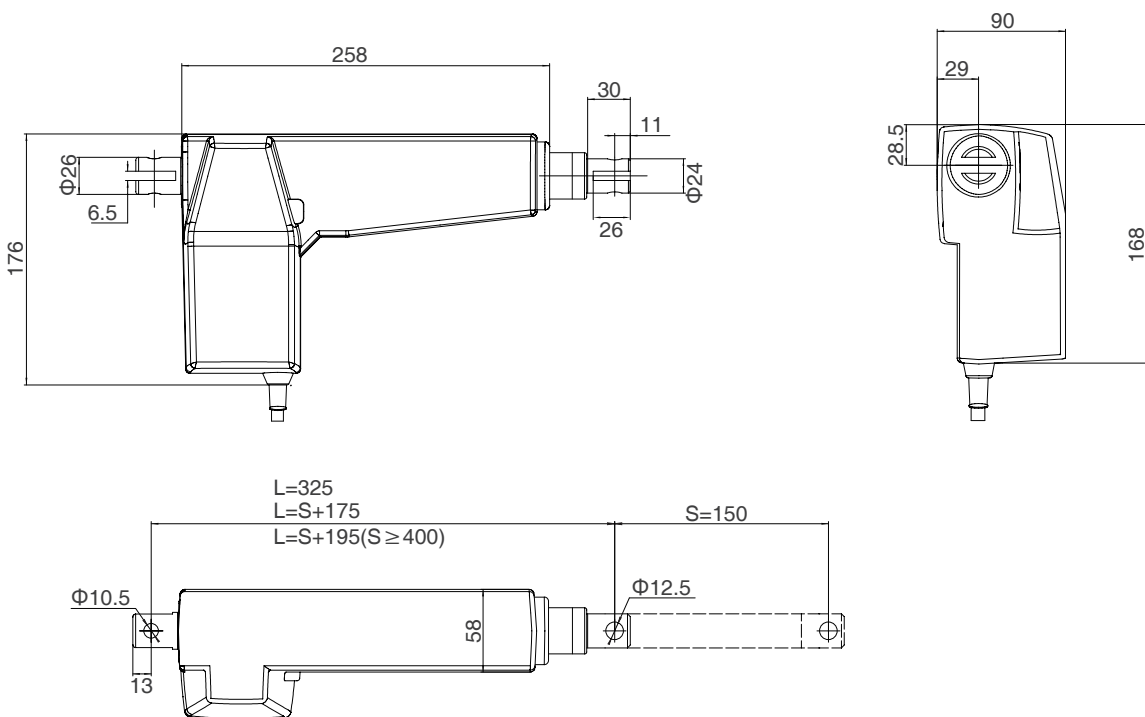
Top clevis F43, end clevis D



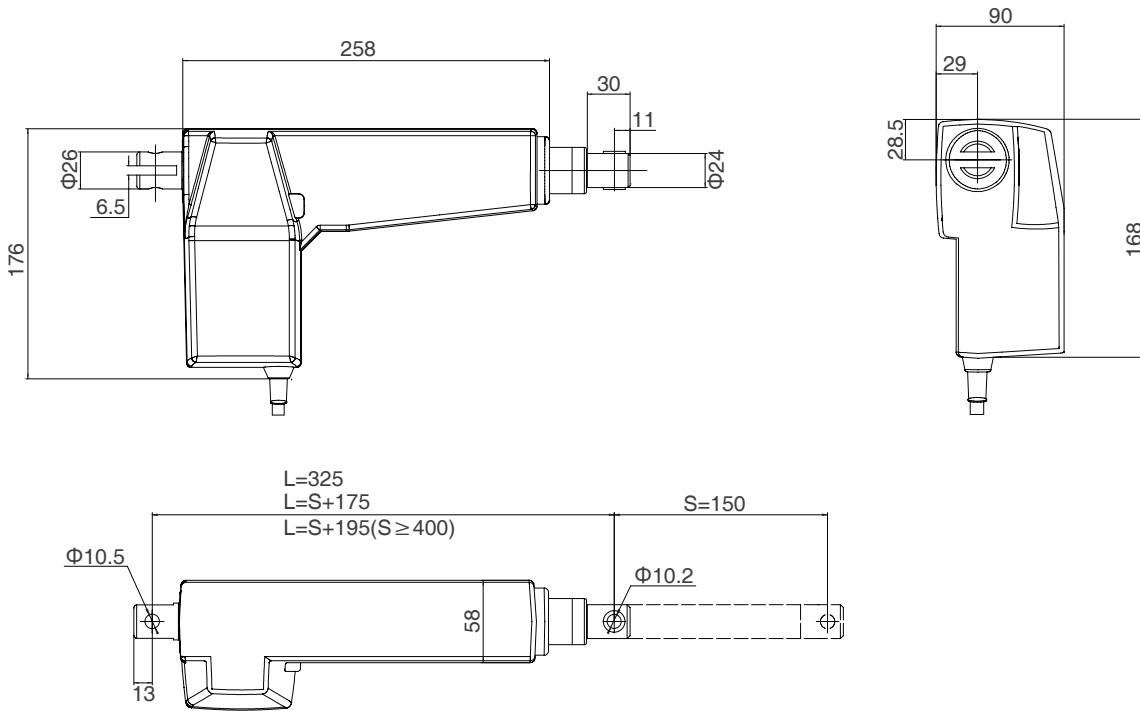
Top clevis F04, end clevis D



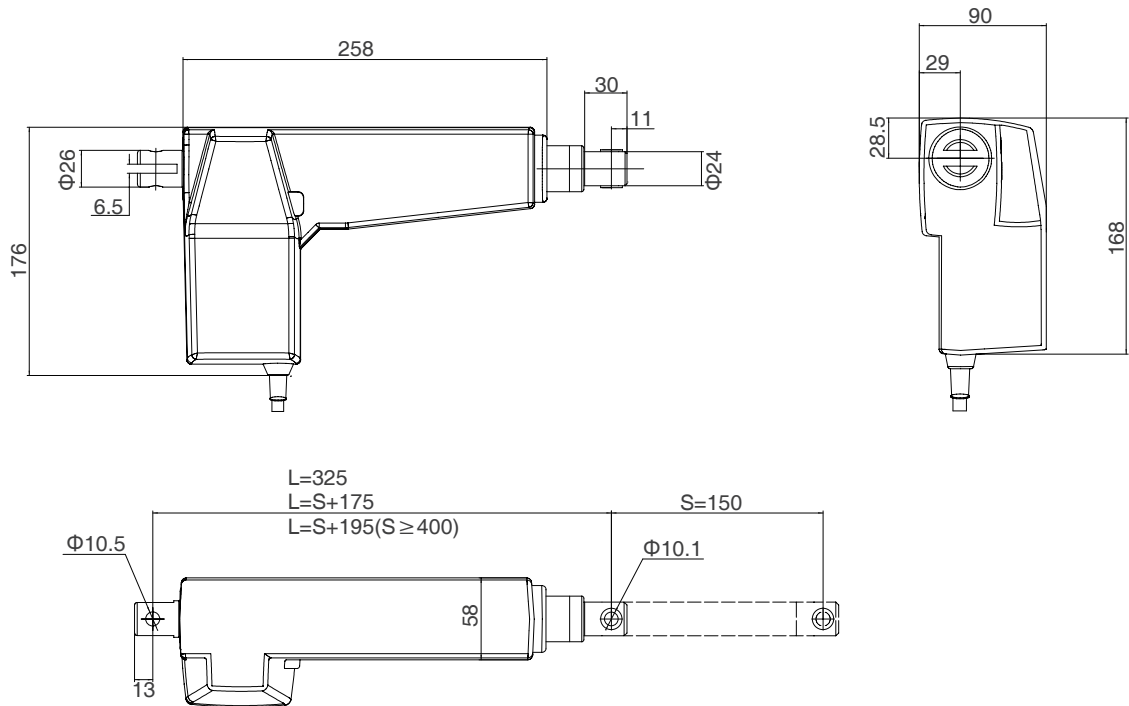
Top clevis F01, end clevis E



Top clevis F43, end clevis E



Top clevis F04, end clevis E

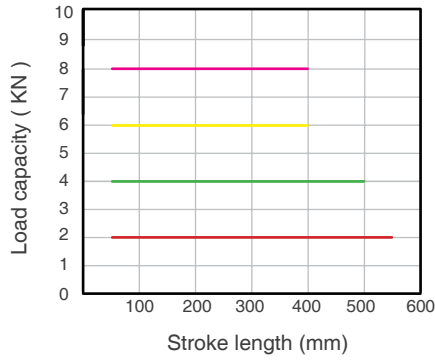


Technical Data-Standard value

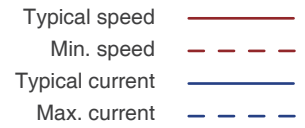
Voltage (VDC)	Spindle pitch (mm)	Max. load in push (N)	Max. load in pull (N)	Mechanical self (N)	Speed at no load/full load (mm/s)	Current at full load (A)
24	4	8000	4000	8000	8.2/4	≤9.2
24	4	8000	4000	8000	5.1/3.3	≤6.1
24	5	8000	4000	4000	6.7/3	≤9.2
24	4	6000	4000	6000	5.1/3.5	≤5.5
24	4	4000	4000	4000	10/6.5	≤6.1
24	5	4000	4000	4000	6.7/4	≤6.8
24	7.5	4000	4000	4000	10/6.2	≤6.1
24	4	2000	2000	2000	11.3/9	≤4.1
29	4	8000	4000	8000	9.8/4.8	≤9.7
29	4	8000	4000	8000	6.1/4	≤6.6
29	5	8000	4000	4000	8/3.6	≤9.7
29	4	6000	4000	6000	6.1/4.2	≤6.1
29	4	4000	4000	4000	12/7.8	≤6.6
29	5	4000	4000	4000	8/4.8	≤7.3
29	7.5	4000	4000	4000	12/7.44	≤6.6
29	4	2000	2000	2000	13.5/10.8	≤4.6

Remarks: It can achieve better self-locking ability with Jiecang control box;
The above data is the standard value of the test data (inspection specification) at room temperature of 25°C;

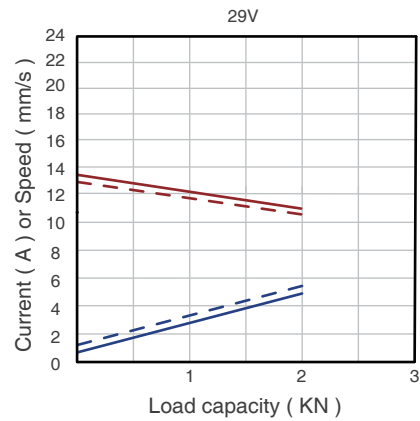
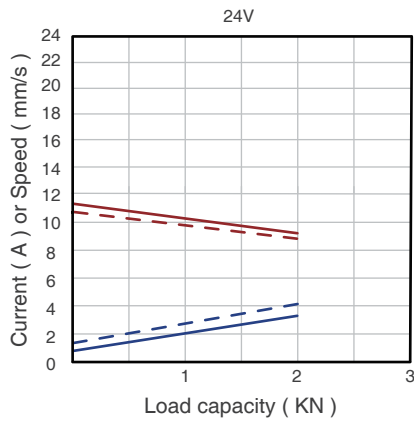
Stroke length versus load



Characteristic

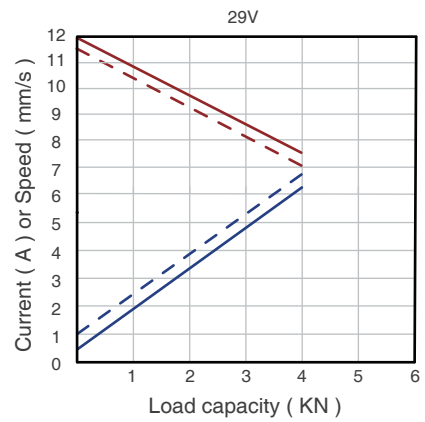
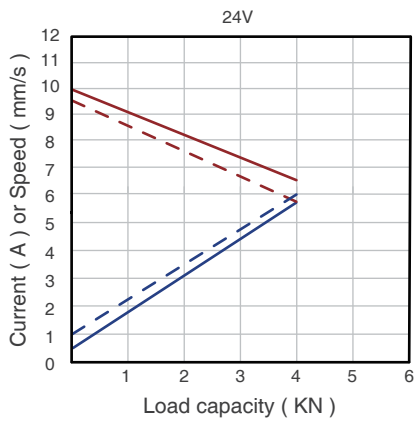
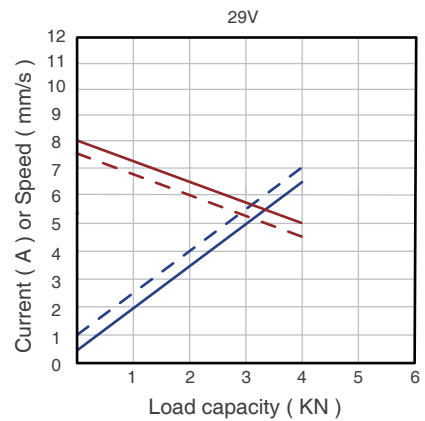
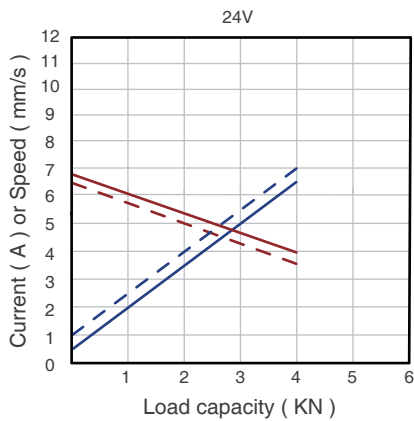
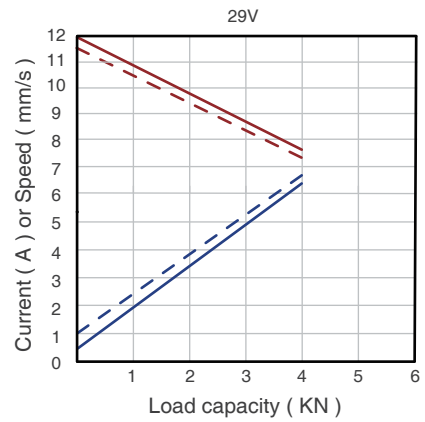
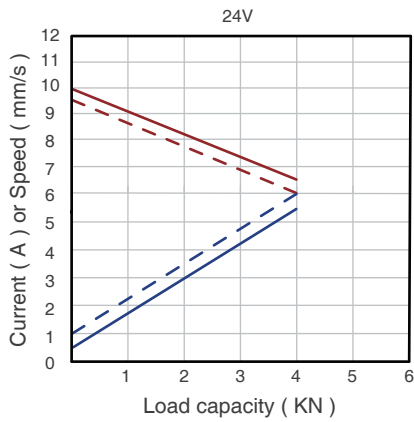


2000N



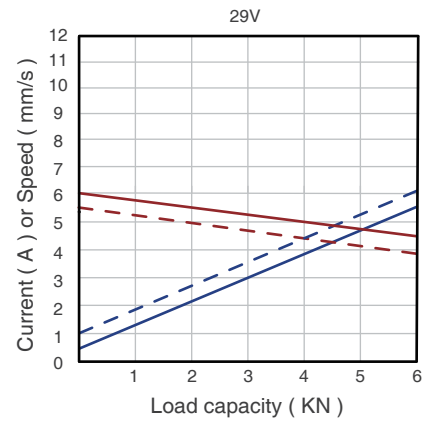
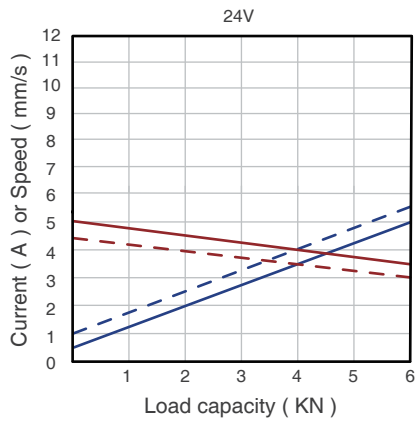
4000N

Typical speed ————
 Min. speed - - - - -
 Typical current ————
 Max. current - - - - -

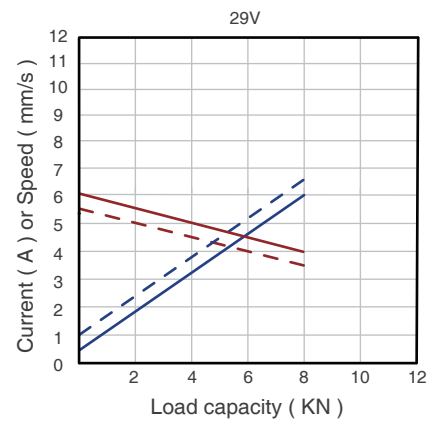
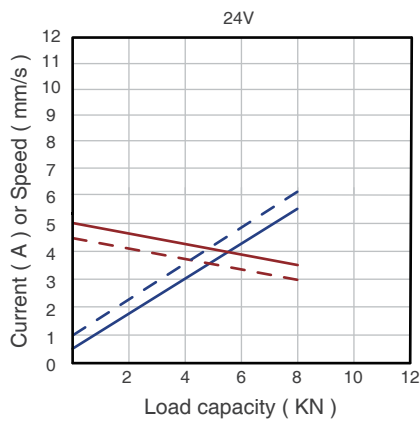
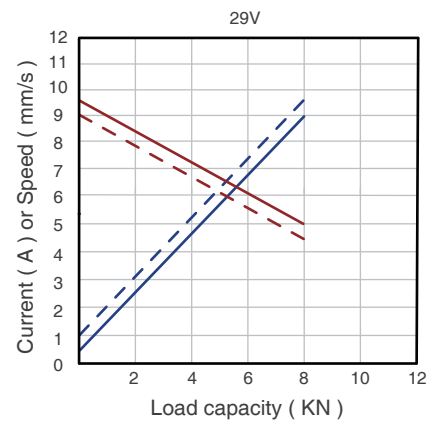
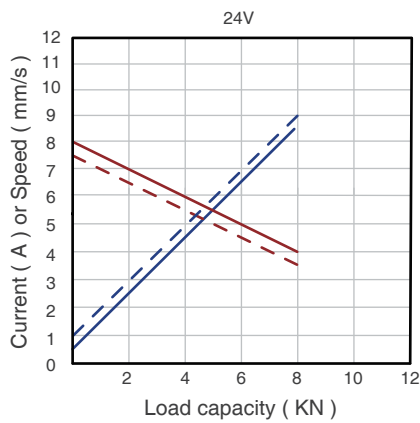


Typical speed ———
 Min. speed - - - -
 Typical current ———
 Max. current - - - -

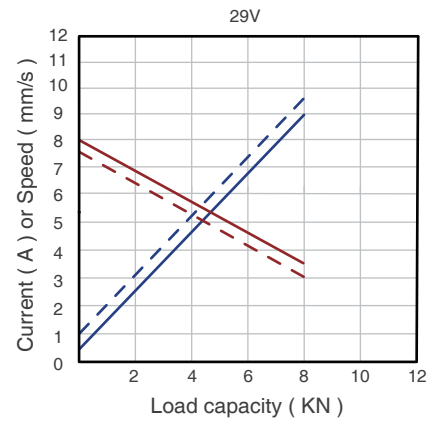
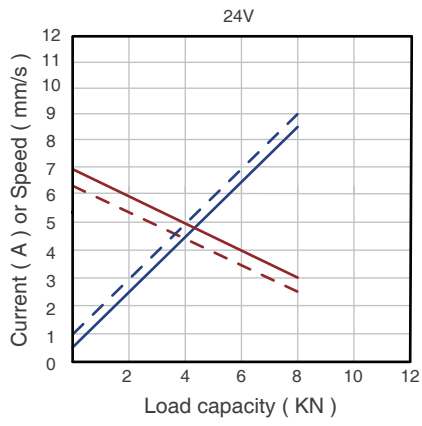
6000N



8000N



Typical speed ———
Min. speed - - - -
Typical current ———
Max. current - - - -



Ordering Key

Take **JC35C083D324300/475HGDTF010021D5** for example

Model	JC35C	
Optional features	X	0 = Standard / R = Reed switch
Load in push	X	8 = 8000N / 6 = 6000N / 4 = 4000N / 2 = 2000N
Speed at full load	X	3D3 = 3.3mm/s 4 = 4mm/s
Input voltage	XX	24 = 24VDC / 29 = 29VDC
Stroke length/ Installation dimension	XXX/XXX	Stroke length = XXX Retracted length = XXX
Clevis directions	X	H = H direction / V = V direction
Color	X	G = Gray / B=Black
End clevis specification	X	D = slot 6.5, the hole diameter is Φ 10.1 E = slot 6.5, the hole diameter is Φ 10.5
End clevis material	X	T = Split steel end clevis
Top clevis specification	XX	F01=slot width 6.5, slot depth 26, aperture 12.5 F04=Slot width 6.5, slot depth 26, aperture 12.5, pad with slider aperture 10.1 F43=without slotting, hole diameter 12.5, with slider pad hole diameter 10.2
Brake specification	X	0 = Standard 1 = Brake in pull 2 = Brake in push
Type of plug and cable	XX	02 = 4 pin DIN plug and 2 pin straight cable 10 = 5 pin DIN plug and 6 pin straight cable
Cable length	XXX	1D5 = 1.5m / 2D0 = 2m

Ordering Details

Dimension drawing of clevis

End clevis: E



End clevis: D



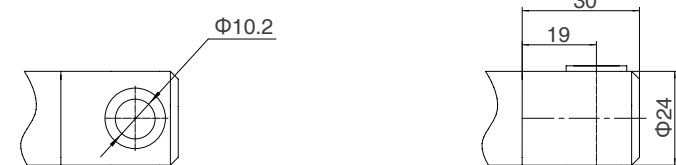
Top clevis: F01



Top clevis: F04



Top clevis: F43

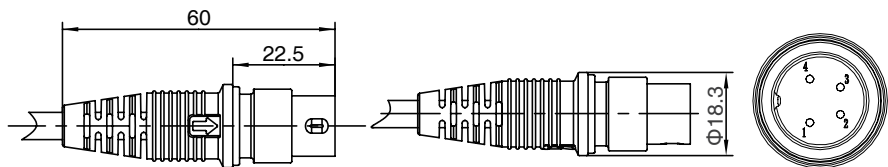


Motor wire

4-pin straight plug (standard)

Matching controller: JCB35Q/
JCB35T/ JCB35R/ JCB35R1/
JCB35S/ JCB35K2

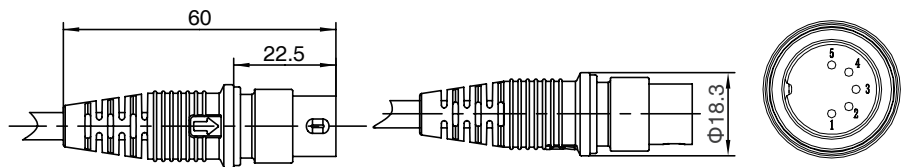
Pin	Color	Function
1	NC	Not connected
2	Brown	When positive voltage power on,actuator will go down
3	Blue	When positive voltage power on,actuator will go up
4	NC	Not connected
Outer ring	NC	Not connected



5 pin DIN plug (with Hall sensor)

Matching controller: JCB35Q/
JCB35T/ JCB35R/ JCB35R1/
JCB35S/ JCB35K2

Pin	Color	Function
1	Red	5V
2	Brown	When positive voltage power on,actuator will go down
3	Black	GND
4	Blue	When positive voltage power on,actuator will go up
5	Yellow	Hall signal 1
Outer ring	Orange	Hall signal 2



Disclaimer and Exclusion of Liability

The user must determine the suitability of JIECANG products under specific conditions. JIECANG is committed to providing the latest product information. However, as JIECANG's products are constantly improving, it is possible to make changes to JIECANG's products without prior notice. Therefore, JIECANG cannot guarantee the correctness and authenticity of the product information. Although JIECANG will do its best to meet the order requirements, due to the above reasons, JIECANG cannot guarantee the delivery capacity of any specific product.

Therefore, JIECANG reserves the right to stop selling any products listed on the website or product catalog or other JIECANG written materials. All sales activities must be carried out in accordance with the requirements of JIECANG sales and Delivery Standard Clauses. For copies of relevant documents, please contact JIECANG.



Strictly abiding by medical safety certifications

Passed EMC tests. To ensure our products pass all kinds of tests domestic or abroad.



Communication protocol development

Aiming at different applications, develop more extensive functions for control system.



Professional customization

Powerful R&D strength, fully satisfy customers' needs. Development cycle is about 10 days, seizing more market opportunities



Intelligent Control of Bluetooth

Mobile phone as the remote, applying in home care. Market pioneer, Jiecang provides better choices



Wireless Communication

Controllers adopt high-frequency wireless system. It can avoid interference mixing with signal receivers, assisting in remote control over medical equipment.



Latest Weighing System

Designed for physiotherapy beds and medical care beds. Cantilever carrying weighing sensor, it is applicable to different bedsteads dispensing with any adjustment



Notes for mounting and usage can be found in the corresponding mounting manual