



## Data sheet

# JS36DS4-3-R

- JS36DS4-3-R is a square 3-segment no hole column with high stability features. It's mainly applicable in office and home desks.
- The birth of JS36DS4-3-R products is based on improved processing based on JS36DR4-3-R products.
- JS36DS4-3-R is compatible with all the standard Jiecang control boxes, and ensures a very low and pleasant noise level, and steady movement. Furthermore, the system has a very low standby power consumption less than 0.1W.



---

## Features

- Square lifting column with 3mm optimised motor housing design and bracket for extra strength and stability
- The tube is no hole design
- Compatible with JCB35N2-H control box
- Low noise level <50dB
- Max. Bending moment: 150N.m
- Outer tube size: 60x60mm
- Motor housing dimension: 190x96x48mm
- Motor: Jiecang design high power motor&Bosh motor
- Hall sensor enabling parallel drive
- Surface: Powder coating with standard color: White(RAL9016), Black(RAL9005), Grey(RAL7045)

---

## Option

- Customized colours
- Compatible with several different styles of feet.
- Bracket for crossbar

## Usage

- Single or 2, 3, or 4 parallel drive or even multi-parallel with up to 12 columns, and can fit with Jiechang TS, TT, TF standard frame.
- Compatible with Jiechang control box: JCB35N1; JCB35N2; JCB35N3; JCB35N4
- Duty cycle: 10 %, Max. 2 minutes operation/Min. 18minutes rest of continuous use at full load
- Working environment: Indoor
- Storage and transport temperature :-10°C + 70°C
- components recognized to UL962-EN6335-1

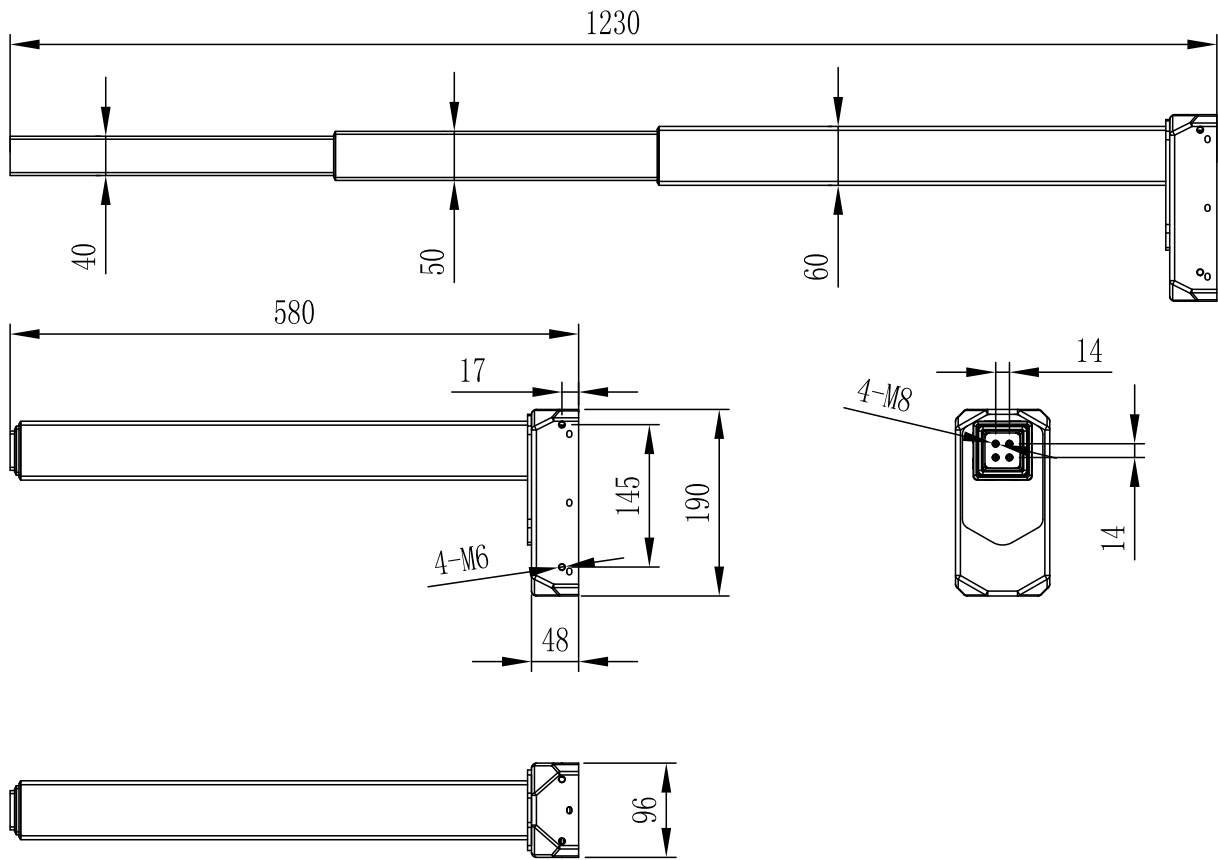
---

## Technical specifications

Type	Rated load (N)	Reversing locking (N)	Typical current at rated Load (A)	Typical max speed Non-load~ Rated load (mm/s)	Duty cycle	Stroke length (mm)	Retracted length (mm)
JS36DS4-3-R	800	1200	6	35	10%	650	580

Note: The measurements above are made in connection with the control box JCB35N series.

## Dimensions



## Ordering Key

**JS36D S4 - 3 - R - 650 / 580 - 0 - H**

	Color	H=White B=Black S=Gray
	Pre-weld bracket size & location	The column stands without bracket
	Installation length	560/580
	Stroke length	650/500
	Stand or upside down	R=Reverse S=Stand
	Segment	2=Two-segment 3=Three-segment
	Tube size	40X40X2 50X50X2 60X60X2
	JS36D series lifting column type	JS36Z