

# JCH35A22 Hand Control

A high-precision weighing product designed for medical scenarios, with independent operation space, history data saving, intuitive digital display, KG/LB switching and power-off saving, Chinese and English language switching, simple operation and easy installation, with function applications for medical and nursing scenarios, such as alarm for leaving the bed.



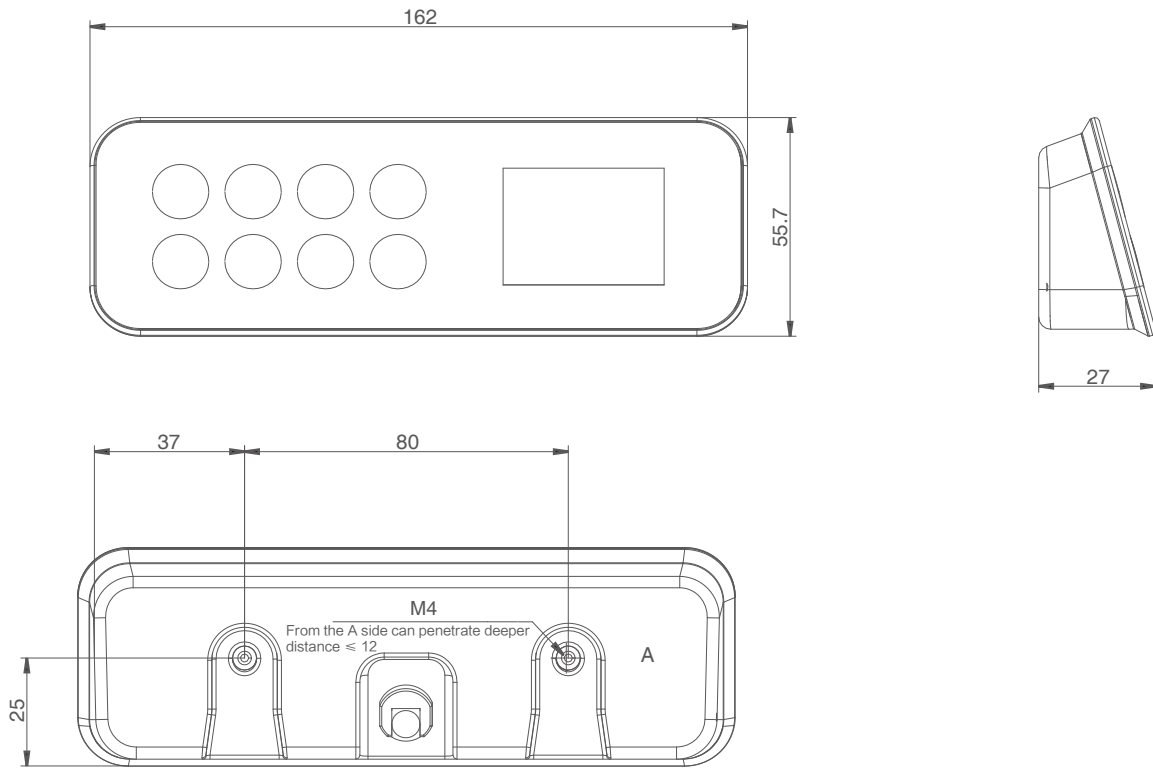
## Features And Options

<b>IP Grade:</b>	Max. IPX6
<b>Number Of Button:</b>	Max. 8 buttons
<b>Colour:</b>	Gray
<b>Panel:</b>	Panel color and style can be customized
<b>Unit Display:</b>	KG/LB unit switching
<b>Language:</b>	CH/EN language selection
<b>Weighing Range:</b>	0-500KG
<b>History Record:</b>	Up to 10 data can be saved at the same time.
<b>Other:</b>	Off-bed alarm function

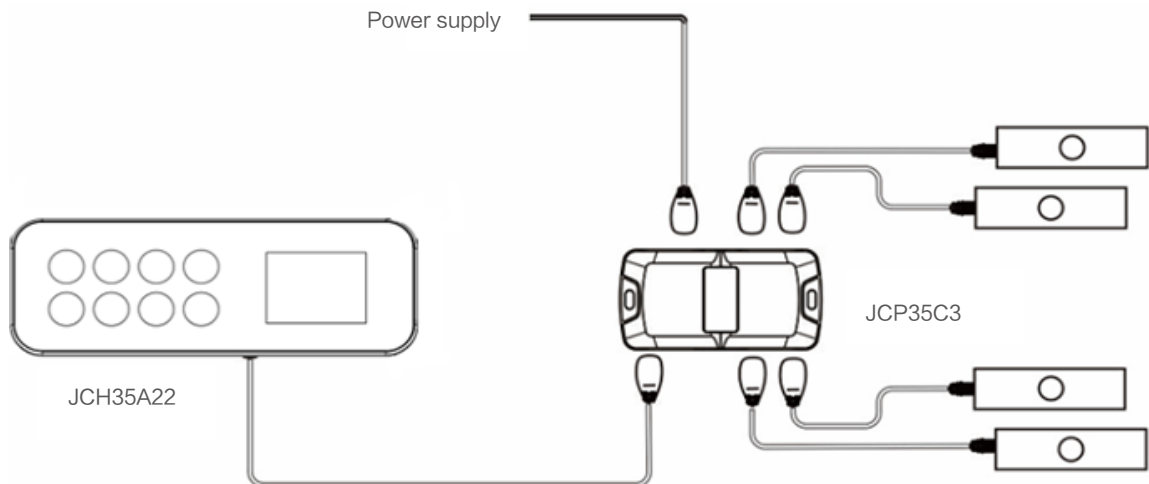
## Usage

<b>Operating Temperature:</b>	+5°C to +40°C
<b>Reserve Temperature:</b>	-10°C to +50°C
<b>Relative Humidity:</b>	20% to 80% (non-condensing)
<b>Altitude:</b>	up to 2000m

## Dimension drawing



## System connection



## Installation diagram

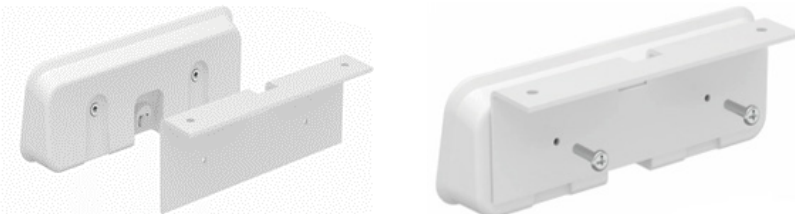
### Method 1.

Bed frame opening  $\phi 5$ , 2 screws M4\*(12+thickness of bed frame sheet metal parts) through the sheet metal parts and fastened with the weight indicator pre-built M4 studs;  
Screws can be screwed into a depth of  $\leq 12\text{mm}$ ;



### Method 2.

2mm thick sheet metal parts with  $\phi 5$  holes, 2 M4\*12 screws through the sheet metal parts and fastened with the pre-built M4 studs of the weight indicator;



The weighing indicator can be fixed to the top edge of the bed frame (see left) or to the bottom edge of the bed frame (see right)



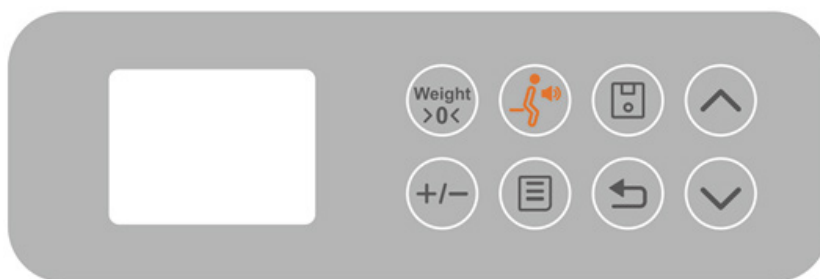
## Ordering Example

Take **JCH35A22B4G4G110P13D0** for example

Model	<b>JCH35A22</b>	JCH35A22 hand control
Backlight	<b>X</b>	A= with backlight   B=without backlight
Button row number	<b>X</b>	8
Color	<b>X</b>	G=Gray
Panel code	<b>XXX</b>	4G1=JCH35A22-4G1
Plug and Cable	<b>XXX</b>	10P1=10pin crystal elbow flex plug of spring cable
Cable length	<b>XXX</b>	3D1=3.1m
Linkage way	<b>X</b>	0=single action L= linkage action

## JCH35A22 standard panel

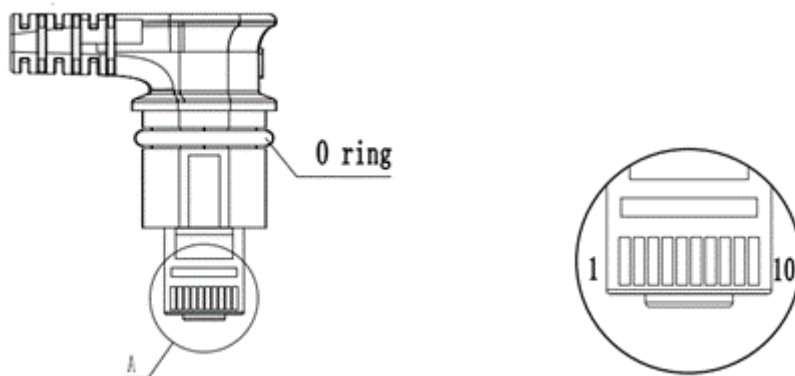
Please check if the function you need is matching with the panel function before placing an order.



JCH35A22-001

## Plug

10pin crystal elbow flex plug: straight cable:10H1; Spring cable: 10P1 (matching with JIECANG control boxes JCB35T2, JCB35T3, JCB35T6 of flex plug)



Attention: The model of supporting control box and the plug will be different according to the number of supporting actuators, Please contact the salesman in the corresponding area of JIECANG for confirmation before placing an order.



### Strictly abiding by medical safety certifications

Passed EMC tests. To ensure our products pass all kinds of tests domestic or abroad.



### Communication protocol development

Aiming at different applications, develop more extensive functions for control system.



### Professional customization

Powerful R&D strength, fully satisfy customers' needs. Development cycle is about 10 days, seizing more market opportunities



### Intelligent Control of Bluetooth

Mobile phone as the remote, applying in home care. Market pioneer, Jiecang provides better choices



### Wireless Communication

Controllers adopt high-frequency wireless system. It can avoid interference mixing with signal receivers, assisting in remote control over medical equipment.



### Latest Weighing System

Designed for physiotherapy beds and medical care beds. Cantilever carrying weighing sensor, it is applicable to different bedsteads dispensing with any adjustment

### Disclaimer and Exclusion of Liability

The user must determine the suitability of JIECANG products under specific conditions. JIECANG is committed to providing the latest product information. However, as JIECANG' s product are constantly improving, it is possible to make changes to JIECANG' s product without prior notice. Therefore, JIECANG cannot guarantee the correctness and authenticity of the product information. Although JIECANG will do its best to meet the order requirements, due to the above reasons, JIECANG cannot guarantee the delivery capacity of any specific product.

Therefore, JIECANG reserves the right to stop selling any products listed on the website or product catalog or other JIECANG written materials. All sales activities must be carried out in accordance with the requirements of JIECANG sales and Delivery Standard Clauses. For copies of relevant documents, please contact JIECANG.



Notes for mounting and usage can be found in the corresponding mounting manual