

JCH35A15 Hand Control

Application field - Medical Line
Preferably in the medical industries.

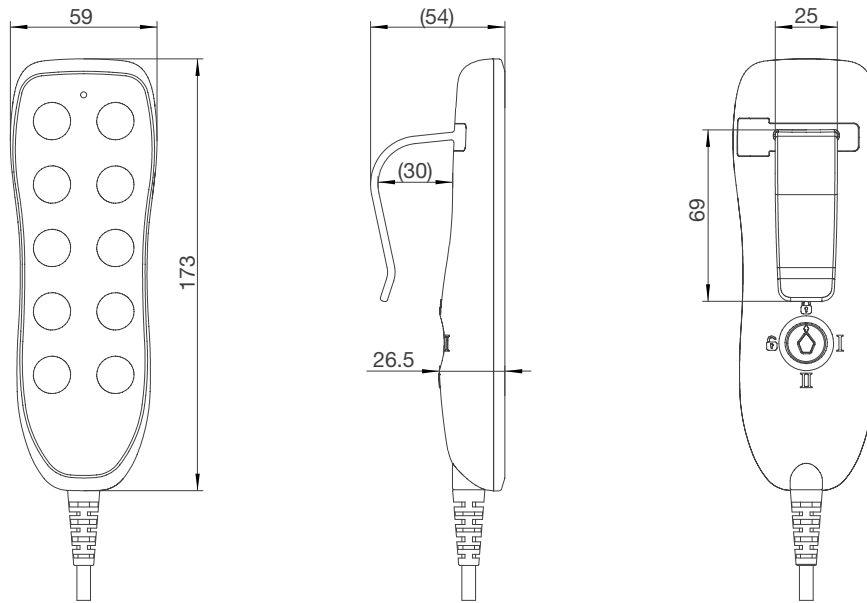
JCH35A15 is a newly designed handset, which can drive up several actuators simultaneously; Brand-new matching colors and shape, bringing new visual impact. With a mechanical locking function, JCH35A15 can avoid misoperation from the patient. The handset has a maximum IPX6 protection grade, making the cleaning more efficient and offering an excellent operating experience for a variety of scenarios.



General Features

Button amount:	Maximum 10 buttons
Button type:	Touch switch
Colour:	Gray
Supporting control box:	All standard control boxes of JIECANG
Max IP grade:	IPX6
Custom:	Panel color and style can be customized
Special function:	Mechanical lock of 4 block
Operating temperature:	+5°C to +40°C
Storage temperature:	-10°C to +50°C
Relative humidity:	20% to 80% (non-condensing)
Altitude:	Up to 2000m
Certificate:	ROHS
Drive up:	Operate at most 5 actuators

Dimension Drawing



Standard definition of JIECANG mechanical lock

All locked	I	II	All unlocked
All button functions are unavailable	The 1st,2nd and 3rd row button functions are available The 4th and 5th row button functions are unavailable	The 1st,2nd and 3rd row button functions are unavailable The 4th and 5th row button functions are available	All button functions are available

Attention:

(1)The definition of the mechanical locking is not showed in the ordering while in specifications, please explain clearly your requirement to the salesman before placing the order

(2)The prompt of the lock: to judge according to the lighting on/off of backlight

Ordering Key

Take **JCH35A15A5G5G18L14D0L** for example

Model	JCH35A15	
Backlight	A	A = With backlight / B = Without backlight
Button rows	5	1~5
Color	G	G = Gray / B = Black
Panel code	5G1	5G1 = JCH35A15-5G1 (See JCH35A15 standard panel)
Cable plug code	8L1	8L1 = 8pin DIN plug of spring cable 13L1 = 13pin DIN plug of spring cable 10P1 = 10pin crystal elbow flex plug of spring cable
Cable length	4D0	4D0 = 4.0M
Linkage way	L	0 = Single action / L = Linkage action

Standard panel

Please check if the function you need is matching with the panel function before placing an order.



JCH35A15-5G9



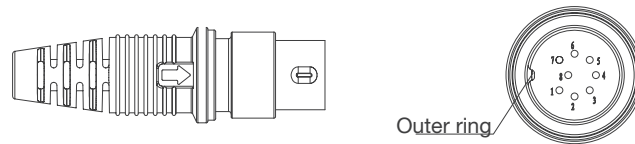
JCH35A15-5G10



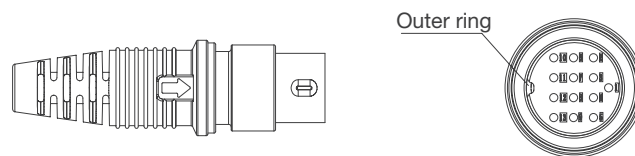
JCH35A15-5G6

Plug

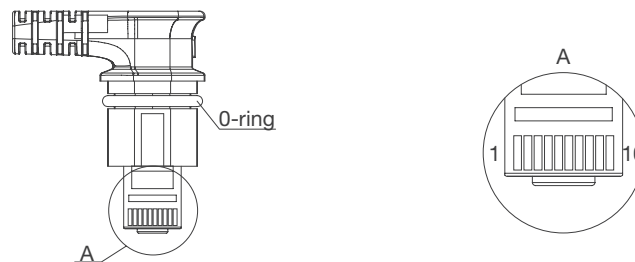
8 pin DIN plug: straight cable: 8D1, coiled cable: 8L1 (suitable for Jiecang straight plug control box)



13 pin Din plug: straight cable:13D1, coiled cable: 13L1 (suitable for Jiecang straight plug control box)



10 DIN RJ elbow flex coiled cable:
straight cable:10H1; coiled cable: 10P1 (matching with control boxes JCB35T2, JCB35T3 and JCB35T6)



Note: The number of matching actuators is different, and the matching control box model is different, and the plug code will be different. Please contact the salesman in the corresponding area of Jiecang for confirmation before placing an order.

Conditions of Use

It is the user's responsibility to determine the suitability of JIECANG products under specific conditions. JIECANG is committed to providing accurate and up-to-date product information. However, due to the continuous improvement of the product by JIECANG, JIECANG products may be subject to frequent changes without prior notice. Therefore, JIECANG cannot guarantee the correctness and authenticity of the product information described. While JIECANG will do its best to meet order requirement. JIECANG cannot guarantee the deliverability of any particular product for the above reasons. Therefore, JIECANG reserves the right to discontinue the sale of any products listed on the website or product catalogue or other JIECANG written materials. All sales activities must be conducted in accordance with the requirements of the JIECANG Standard Terms of Sale and Delivery. For copies of relevant documents, please contact JIECANG.



Strictly abiding by medical safety certifications

Passed EMC tests. To ensure our products pass all kinds of tests domestic or abroad.



Communication protocol development

Aiming at different applications, develop more extensive functions for control system.



Professional customization

Powerful R&D strength, fully satisfy customers' needs. Development cycle is about 10 days, seizing more market opportunities



Intelligent Control of Bluetooth

Mobile phone as the remote, applying in home care. Market pioneer, Jiecang provides better choices



Wireless Communication

Controllers adopt high-frequency wireless system. It can avoid interference mixing with signal receivers, assisting in remote control over medical equipment.



Latest Weighing System

Designed for physiotherapy beds and medical care beds. Cantilever carrying weighing sensor, it is applicable to different bedsteads dispensing with any adjustment



Notes for mounting and usage can be found in the corresponding mounting manual