

# JCB35T6 Controller

Application field - Medical Line  
 Preferably in the medical and nursing industries.

JCB35T6 is equipped with suitable and optimized SMPS (switching mode power supply) worldwide, which can be connected with a hand controller, five actuators and a battery. JCB35T6 has an elegant appearance and compact design. The fixed sliding block of the lower housing can be locked to the frame by screws, or can be fixed to various type of actuators by special mounting part.

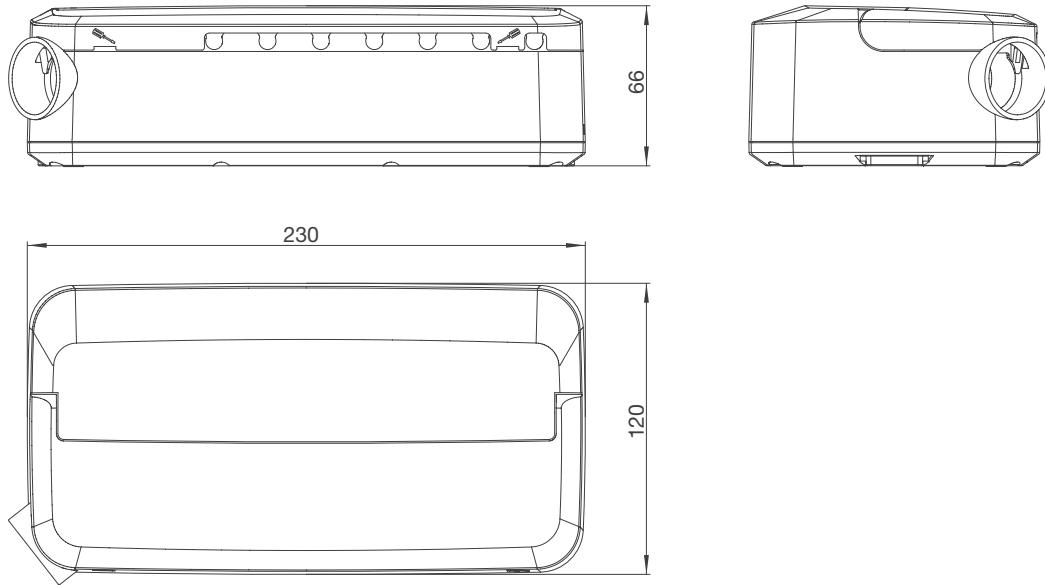
When the actuator in JCB35T6 system reaches the limit position, it will extrude the limit switch inside to make the actuator stop.



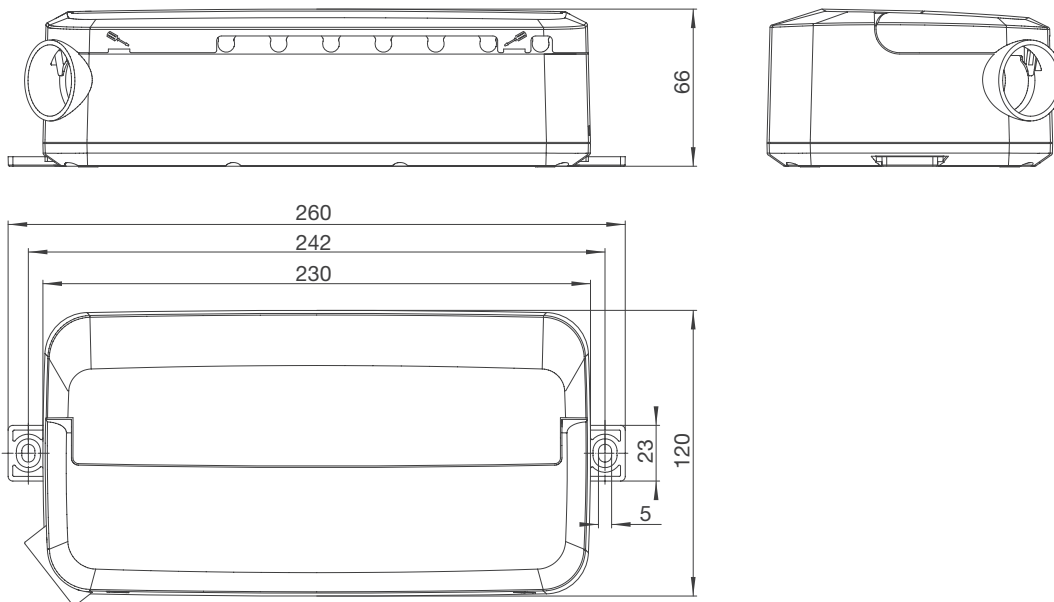
## General Features

<b>Power:</b>	Input_100-240VAC, 50/60 Hz
<b>Out put power:</b>	Max. 250W @ 2min on/18min off
<b>Power indicator:</b>	Yes
<b>Actuator interface:</b>	Max. 5 channels, 6-pin ET bending plug
<b>Handset interface:</b>	1 channels, 10 pin crystal bending plug
<b>Battery interface:</b>	1 channel, 4 pin ET bending plug
<b>Standby power:</b>	Max. 1W (230V)
<b>Colour:</b>	Black / Grey
<b>Control Method:</b>	H-bridge (no relay noise), the life-time exceeds 20,000 cycles.
<b>Duty cycle:</b>	2/18 @ 25°C; on/off continuous use
<b>Weight:</b>	0.8kg
<b>Max IP grade:</b>	IPX6
<b>Operation:</b>	Synchronous drive
<b>Max. Current:</b>	Total 16A for all channels
<b>Power supply management:</b>	Compatible with actuators equipped with special mounting brackets; bed frame (viascrews)
<b>Safety system:</b>	Switching power supply thermal protection, control box thermal protection overheat protection, Short circuit protection
<b>Installation:</b>	Frame (fixed by screws or slider block)
<b>Standards:</b>	IEC60601-1 edition 3.1   EMC: IEC60601-1-2 EN 60601-1-2 ANSI/AAMI ES60601-1   CSA CAN/CSA-C22.2 NO. 60601-1:14

## Dimension Drawing



### Sliding guide dimension at extension state

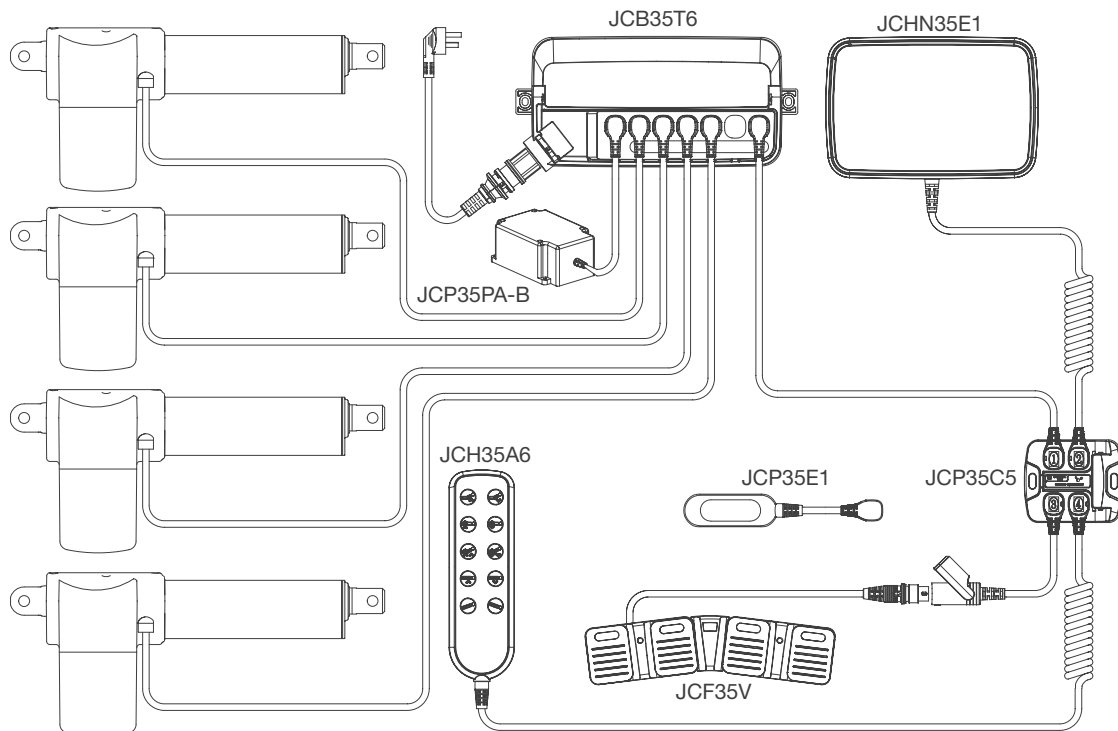


## Ordering Key

Take **JCB35T6AM43GT0042250170** for example

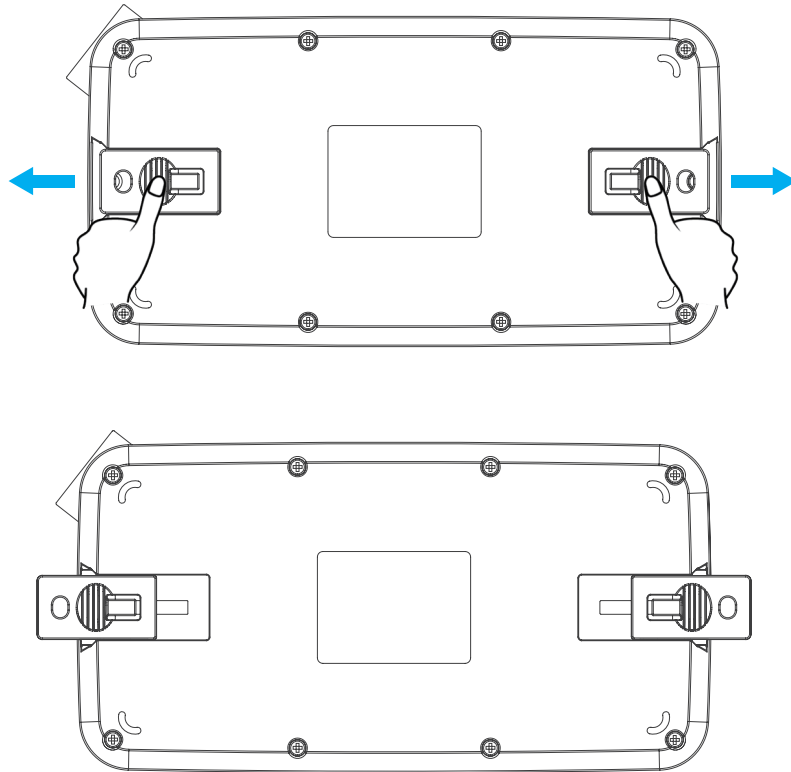
Model	<b>JCB35T6</b>	
Extension function	<b>A</b>	A = With battery / M = With chips / Y = Remote control
Actuator amount	<b>4</b>	1 = one channel / 2 = two channels / 3 = three channels 4 = four channels / 5 = five channels
Input voltage	<b>3</b>	3 = 110VAC-240VAC
Color	<b>G</b>	G = Gray / B = Black
PCB board	<b>T0042</b>	Q0026 = Specify code
Power or capacity	<b>250</b>	250 = 250W
Optional function	<b>17</b>	17 = Class I

## Platform - system overview

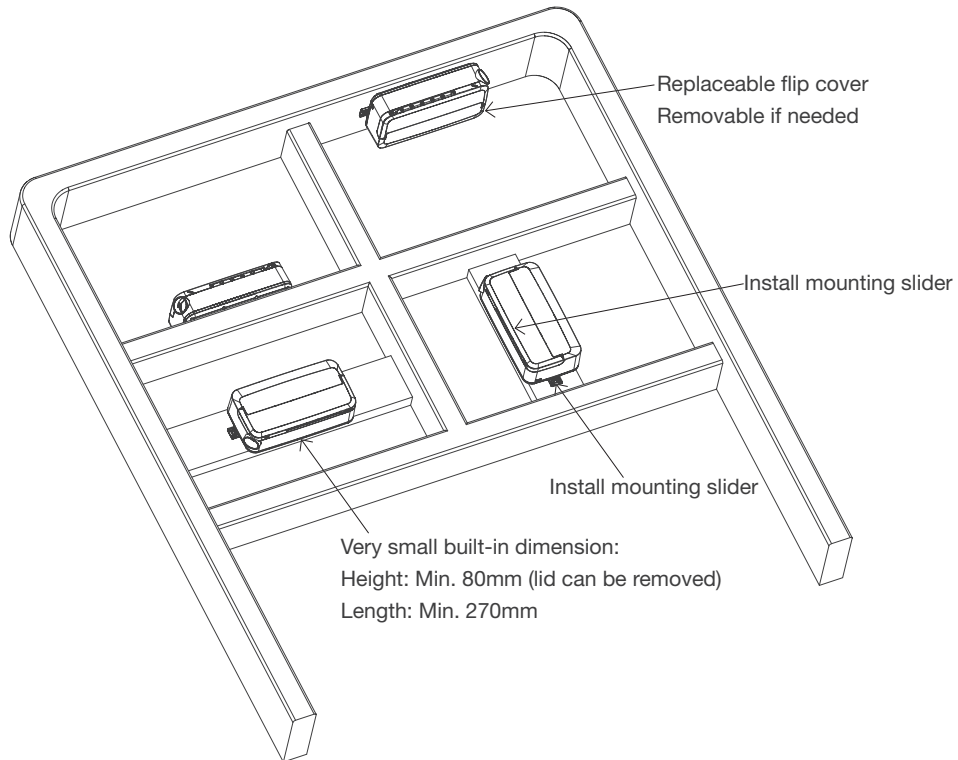


## Install

Usage: Place your thumb in the groove of the arrow in the installation slide block diagram, and push it horizontally until the limit stops, as shown in the following figure, so that the installation slide block exposes the fixed hole.



**Install on frame**



It is recommended to install JCB35T6 where allows water to escape.

Recommended torque: 0.6Nm + / - 0.1

The controller can be installed on the bed frame or any other application according to installation procedures:

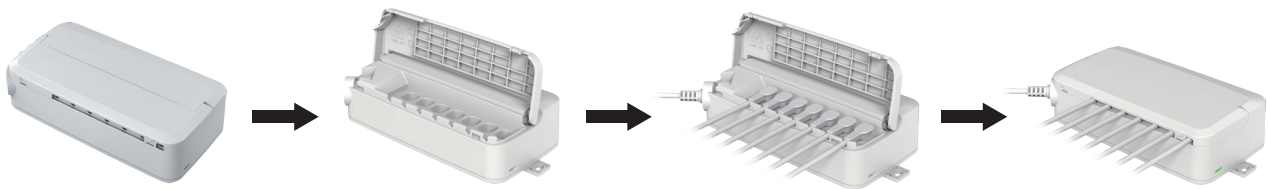
- (1) Place the M5 nut on the exposed hole of the mounting block, and fix the mounting block with the M5 bolts from the rear side;
- (2) Fix the mounting slider with M5 machine screw with flat washers (install a nut on the back of the mounting slider);
- (3) Fixed the mounting block to the frame with self-tapping screws.

## Cable locking and management

### Linear actuator cable locking

The control box JCB35T6 has a uniquely designed cable cover. The cable cover is closed, it acts as an integrated actuator lock.

1. Push the cable plug into the control box;
2. Close the cable cover until it snaps into place (see the arrow)
3. In order to allow maintenance personnel to have free access to the cable, the cover can stay in a fixed position when it is fully opened.



### LED indication

JCB35T6 has a green LED power indicator  
When JCB35T6 is connected with AC power, the LED is on  
(Green) Otherwise, the LED is off.



## Conditions of use

The user must determine the suitability of JIECANG products under specific conditions. JIECANG is committed to providing the latest product information. However, as JIECANG's products are constantly improving, it is possible to make changes to JIECANG's products without prior notice. Therefore, JIECANG cannot guarantee the correctness and authenticity of the product information. Although JIECANG will do its best to meet the order requirements, due to the above reasons, JIECANG cannot guarantee the delivery capacity of any specific product.

Therefore, JIECANG reserves the right to stop selling any products listed on the website or product catalog or other JIECANG written materials. All sales activities must be carried out in accordance with the requirements of JIECANG sales and Delivery Standard Clauses. For copies of relevant documents, please contact JIECANG.



### **Strictly abiding by medical safety certifications**

Passed EMC tests. To ensure our products pass all kinds of tests domestic or abroad.



### **Communication protocol development**

Aiming at different applications, develop more extensive functions for control system.



### **Professional customization**

Powerful R&D strength, fully satisfy customers' needs. Development cycle is about 10 days, seizing more market opportunities



### **Intelligent Control of Bluetooth**

Mobile phone as the remote, applying in home care. Market pioneer, Jiecang provides better choices



### **Wireless Communication**

Controllers adopt high-frequency wireless system. It can avoid interference mixing with signal receivers, assisting in remote control over medical equipment.



### **Latest Weighing System**

Designed for physiotherapy beds and medical care beds. Cantilever carrying weighing sensor, it is applicable to different bedsteads dispensing with any adjustment



Notes for mounting and usage can be found in the corresponding mounting manual