

JCB35Q Controller

Application field - Medical Line
 Preferably in medical and rehabilitation

JCB35R is mainly used in medical and rehabilitation, with excellent performance and switch power supply, which is universal in the world. JCB35Q has elegant appearance and compact design. The fixing blocks on both sides of the lower shell can be locked on the platform by screws, The fixed slide block of the lower shell can be locked to the platform by screws, and can also be fixed to various types of actuators by special inserting connectors.

When the actuator reaches the limit point in JCB35Q system, the motor power supply will be cut off by the signal switch in the actuator.

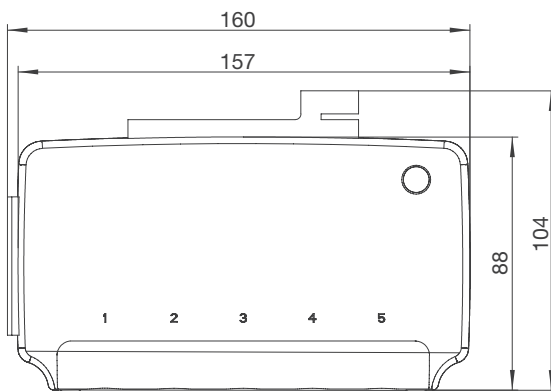
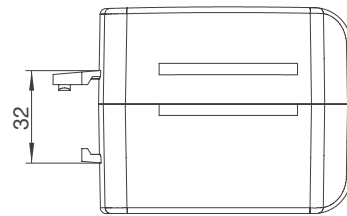
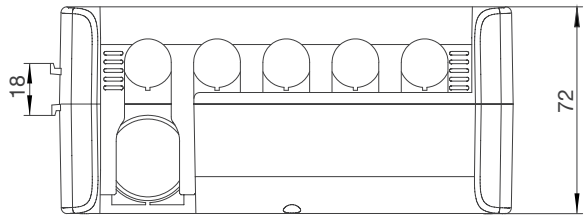


General Features

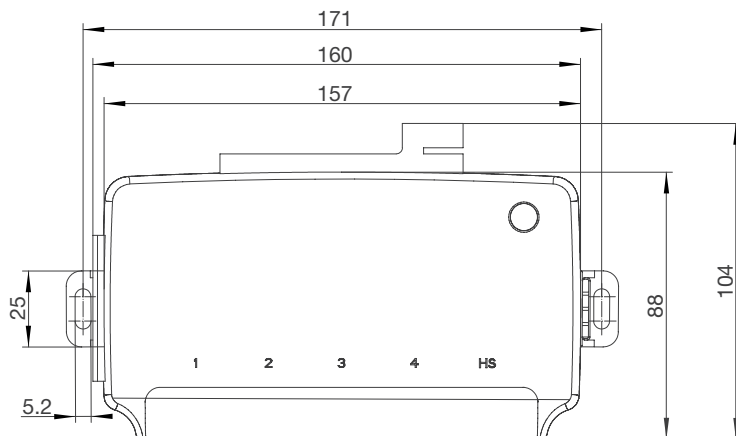
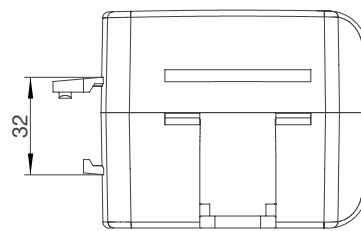
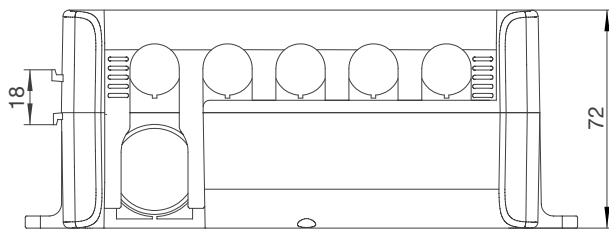
Power:	Input_100-240VAC, 50/60 Hz
Transformer power:	50W / 100W can be optioned
Power point light:	Yes
Actuator interface:	Max. 4 channels, 4-pin actuator straight plug
Handset interface:	1 channels, 9-pin actuator straight plug
Battery interface:	1 channel, 6-pin actuator straight plug (output 30uA - actuator does not move)
Standby power:	Maximum 1W (230V)
Colour:	Black / Grey
Control idea:	Relay, the service life exceeds 20000 cycles
Duty cycle:	2/18 @ 25°C; on/off continuous use
Weight:	0.6kg
Actuator compatibility:	General actuator
Battery management:	The power supply of the battery can be cut off at low voltage, and there is charge and discharge management inside the battery
Safety system:	Switching power supply thermal protection / Over-current protection
Position:	Compatible with actuators equipped with special mounting brackets; bed frame (viascrews)
Line card:	All ports have
Standards:	IEC 60950-1/KC60950-1 KN32 EN 60601-1-2:2015/IEC60601-1-2:2014 IEC/EN60601-1-2 ANSI/AAMI ES60601-1:2005/(R) 2012 CSA CAN/CSA-C22.2 NO. 60601-1:14

Dimension Drawing

General



Installation type

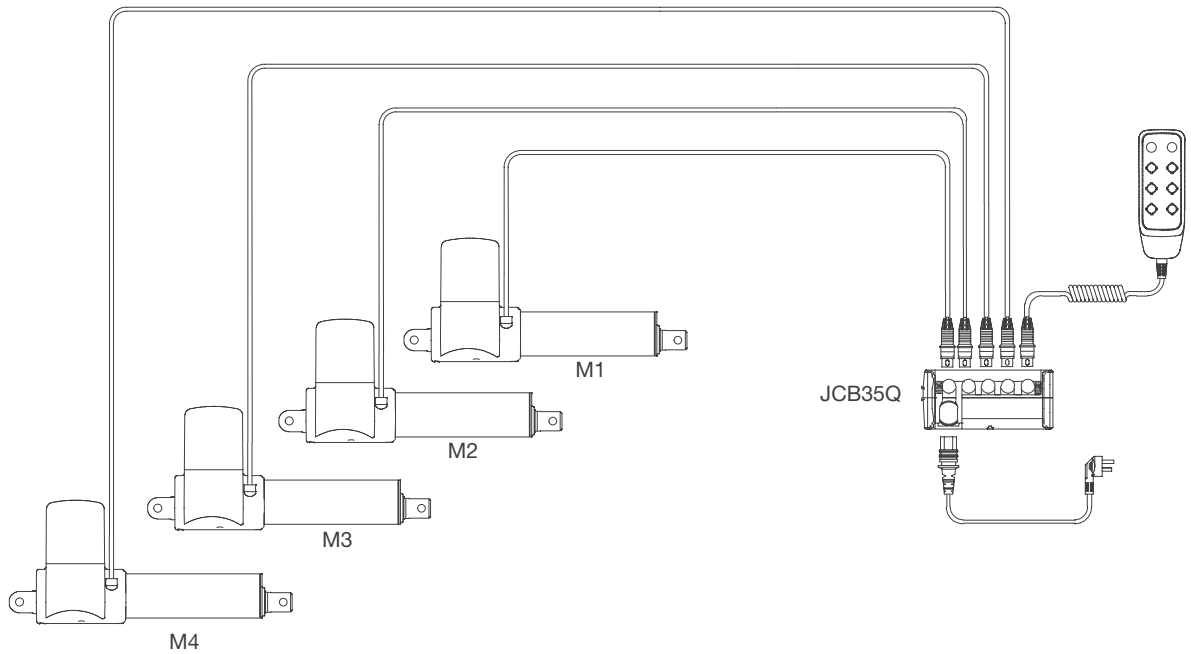


Ordering Key

Take **JCB35QA33GQ002650030** for example

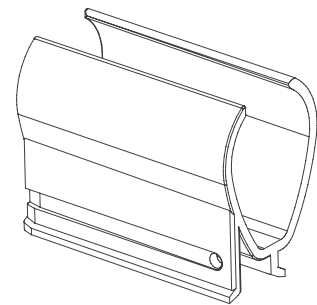
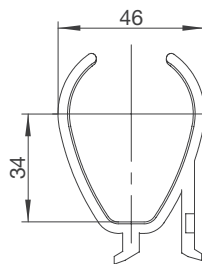
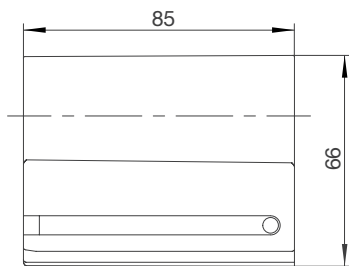
Model	JCB35Q	
Extension function	A	A = With batter / M = With chip / Y = Remote control
Actuator amount	4	1 = 1 actuator / 2 = 2 actuator / 3 = 3 actuator / 4 = 4 actuator
Input voltage	5	1 = 110VAC / 2 = 220VAC or 230VAC or 240VAC 3 = 110VAC-240VAC / 4 = 10-20VDC (including 20) 5 = 20-30VDC (including 30) / 6 = 30-42VDC (including 42)
Color	B	G = Gray / B = Black
PCB board	Q0026	Q0026 = Specify code
Power or capacity	50	50 = 50W / 100 = 100W
Optional function	01	02 = With study button / 03 = With ground lead 05 = With wireless / 10 = With pole for earth wire 14 = Outgoing line with emergency stop switch 17 = Class I / 18 = Class II

Platform - system overview



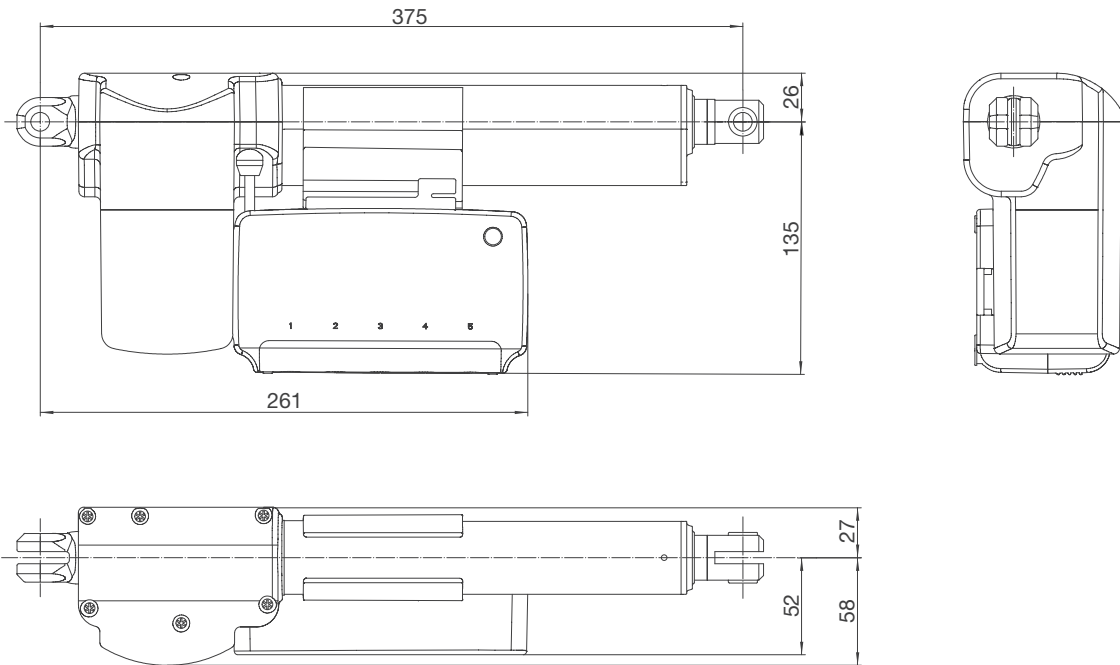
Install

Installation connector

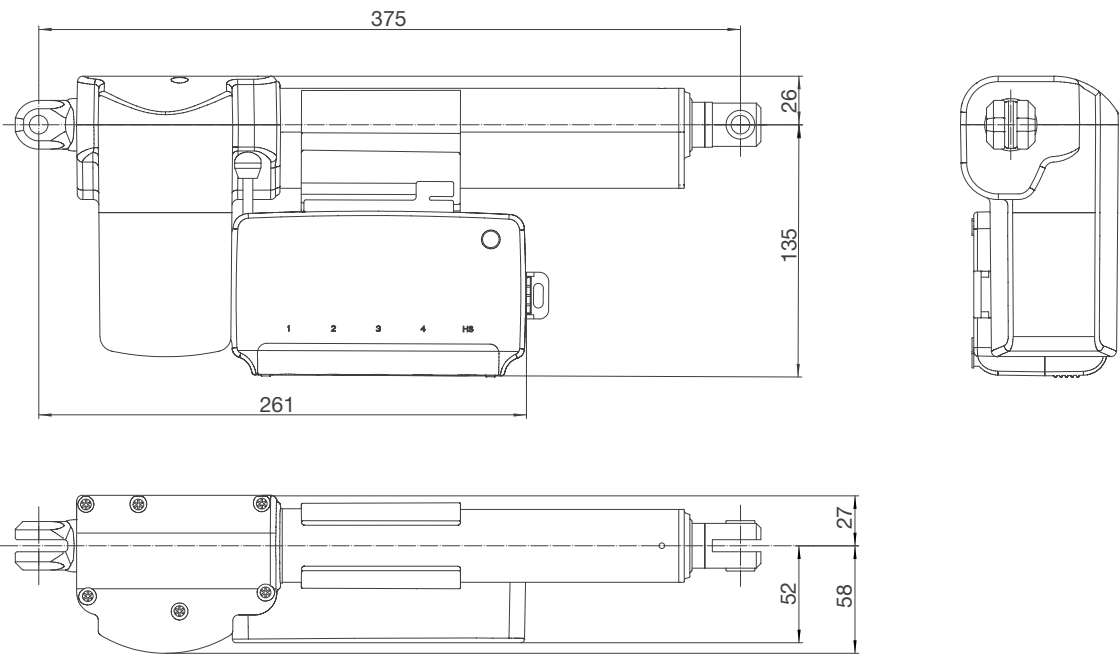


Dimensions JCB35Q with linear actuators

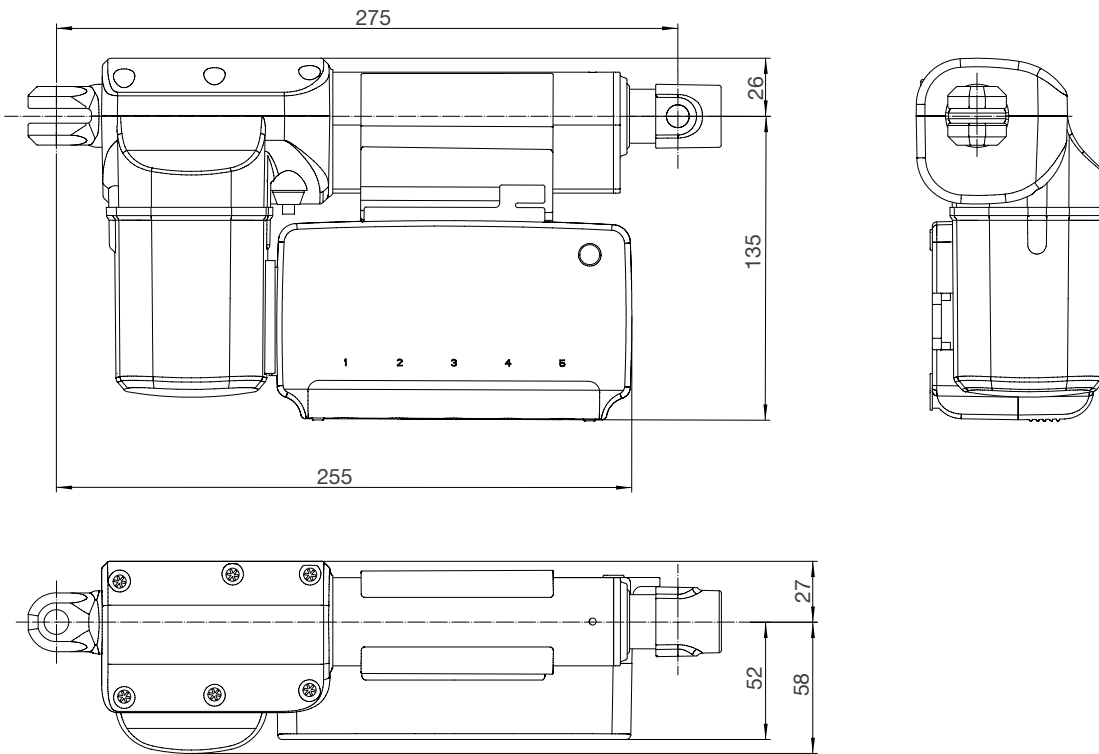
JCB35Q (general type) is installed on JC35L3 linear actuators



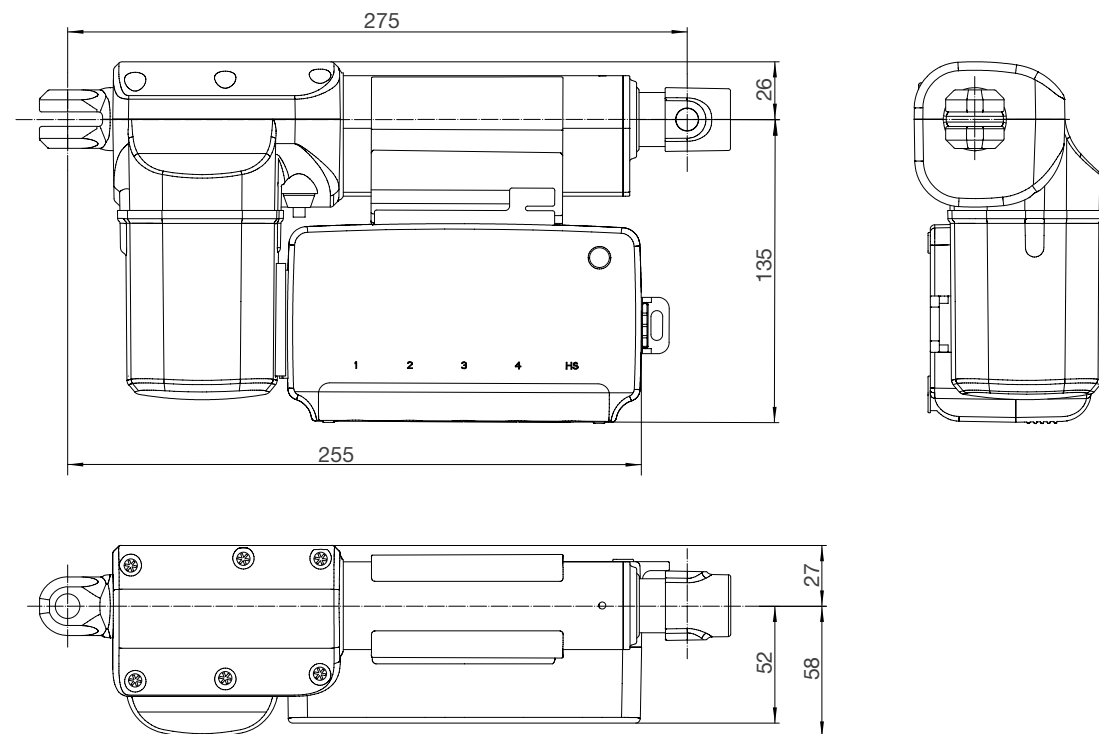
JCB35Q (installation type) is installed on JC35L3 linear actuators



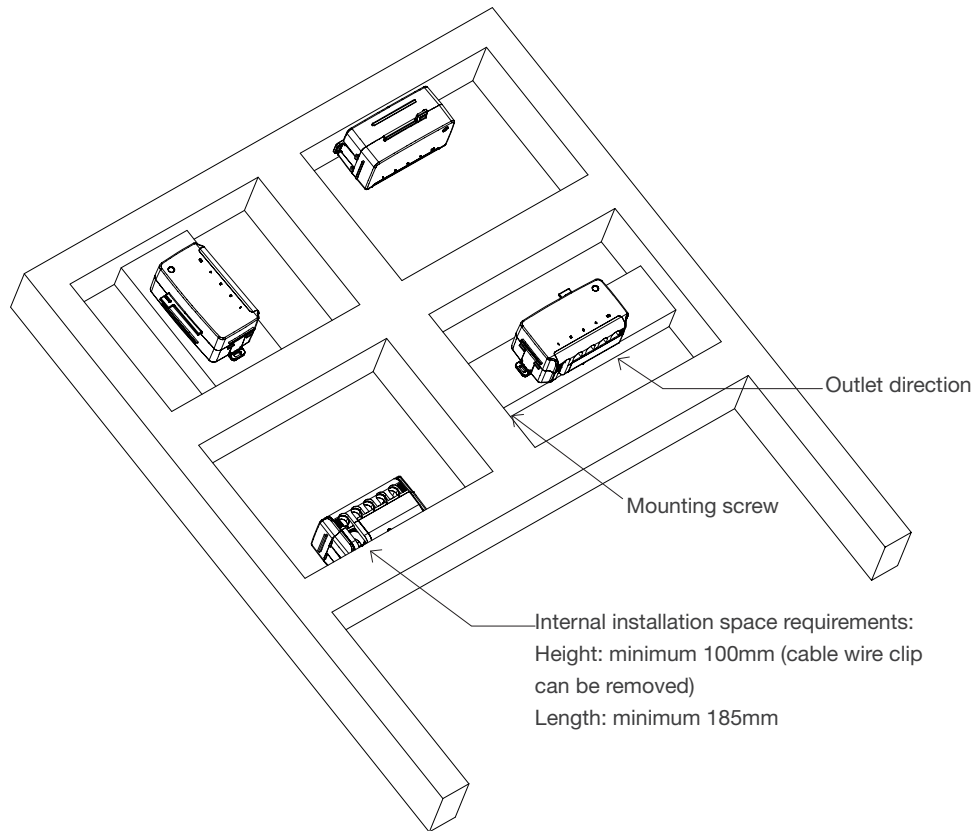
JCB35Q (general type) is installed on JC35L9 linear actuators



JCB35Q (installation type) is installed on JC35L9 linear actuators



JCB35Q (installation type) is installed on the frame



It is recommended that JCB35Q be installed in a position where it can drain water.

Recommended torque: 0.6Nm + / - 0.1

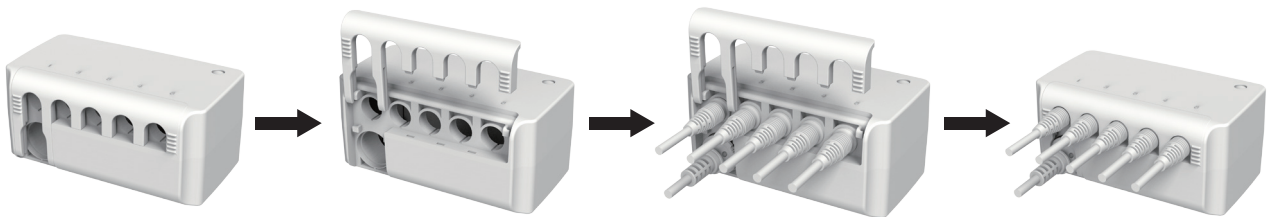
The controller can be installed on the bed frame or any other application according to one of the following procedures:

- (1) Place the M5 nut on the exposed hole of the installing slide and lock the mounting block with the M5 bolts from rear side.
- (2) Fix the installing slide with M5 machine screw with flat washer (install a nut on the back of the installing slide)
- (3) Fix the installing slide to the frame with self-tapping screws

Cable locking and management

Linear actuator cable locking

1. The control box JCB35R has a wire clip with a unique design. Installing the wire clip is equivalent to an integrated cable lock.
2. Install the cable plug into the control box, close the cable until it snaps into the place (according to the arrow)



LED indication

JCB35Q has a green LED power indicator. The LED lights up when JCB35R is successfully connected to the main power network (display green); In other cases, the LED is off.



Conditions of use

Users must determine the applicability of Jiecang products under specific conditions. Jiecang is committed to providing accurate and up-to-date product information. However, due to the continuous improvement of products, Jiecang's products may change frequently without prior notice. Therefore, Jiecang cannot guarantee the correctness and authenticity of the product information. Although Jiecang will do its best to meet the requirements of the order, for the above reasons, Jiecang cannot guarantee the deliverables of any specific product. Therefore, Jiecang reserves the right to stop selling any of the products listed on the website or product catalog or other written materials of Jiecang. All sales activities must be carried out in accordance with the requirements of Jiecang sales and delivery standard terms. Please contact Jiecang if you want to the copies of relevant documents.



Strictly abiding by medical safety certifications

Passed EMC tests. To ensure our products pass all kinds of tests domestic or abroad.



Communication protocol development

Aiming at different applications, develop more extensive functions for control system.



Professional customization

Powerful R&D strength, fully satisfy customers' needs. Development cycle is about 10 days, seizing more market opportunities



Intelligent Control of Bluetooth

Mobile phone as the remote, applying in home care. Market pioneer, Jiecang provides better choices



Wireless Communication

Controllers adopt high-frequency wireless system. It can avoid interference mixing with signal receivers, assisting in remote control over medical equipment.



Latest Weighing System

Designed for physiotherapy beds and medical care beds. Cantilever carrying weighing sensor, it is applicable to different bedsteads dispensing with any adjustment



Notes for mounting and usage can be found in the corresponding mounting manual