

JCB35M11

Integrated Control Box



Data sheet

JCB35M11A/B/C



JCB35M11A



JCB35M11B



JCB35M11C

- JCB35M11 series integrated control box, integrates handset and control box, and is used with standing desks in office or home environments. The height of the table top can be adjusted by a simple press. JCB35M11 has the following series:

JCB35M11A: up, down, Type-A

JCB35M11B: up, down, LED display, Type-A

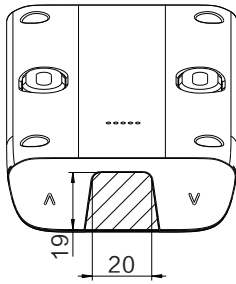
JCB35M11C: up, down, LED display, 4 memory positions, sedentary reminder, Type-A, Type-C

Features

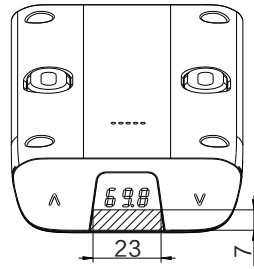
- Integrated handset and control box
- Button graphics can be customized
- Display with digital tube
- Mirror area can be customized LOGO
- Anti-collision: JCB35M11A and JCB35M11B are current anti-collision, JCB35M11C can choose whether to add six axes
- Socket:
JCB35M11A, JCB35M11B: Type-A
JCB35MM11C: The left and right sides are Type-C and Type-A.
When the two sockets are used at the same time, 5V 2A is used in shunt. When a single socket is used, the charging output is 5V 2A.

Options

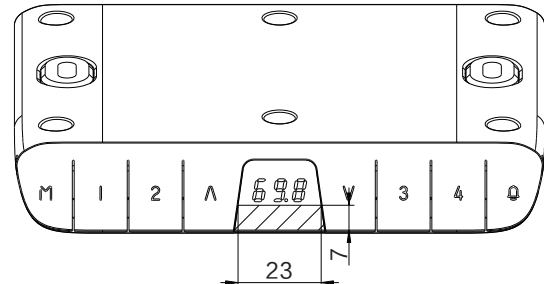
- Accept customer LOGO customization



JCB35M11A



JCB35M11B



JCB35M11C

Please note: The shaded area is a customized logo area

Usages

- Supporting column: column model/color/stroke/height/stage can be selected according to requirements
- Working environment: Indoor
- Storage and transport temperature: $-25^{\circ}\text{C}\sim 70^{\circ}\text{C}$

Parameters Table

Control the number of columns: 2

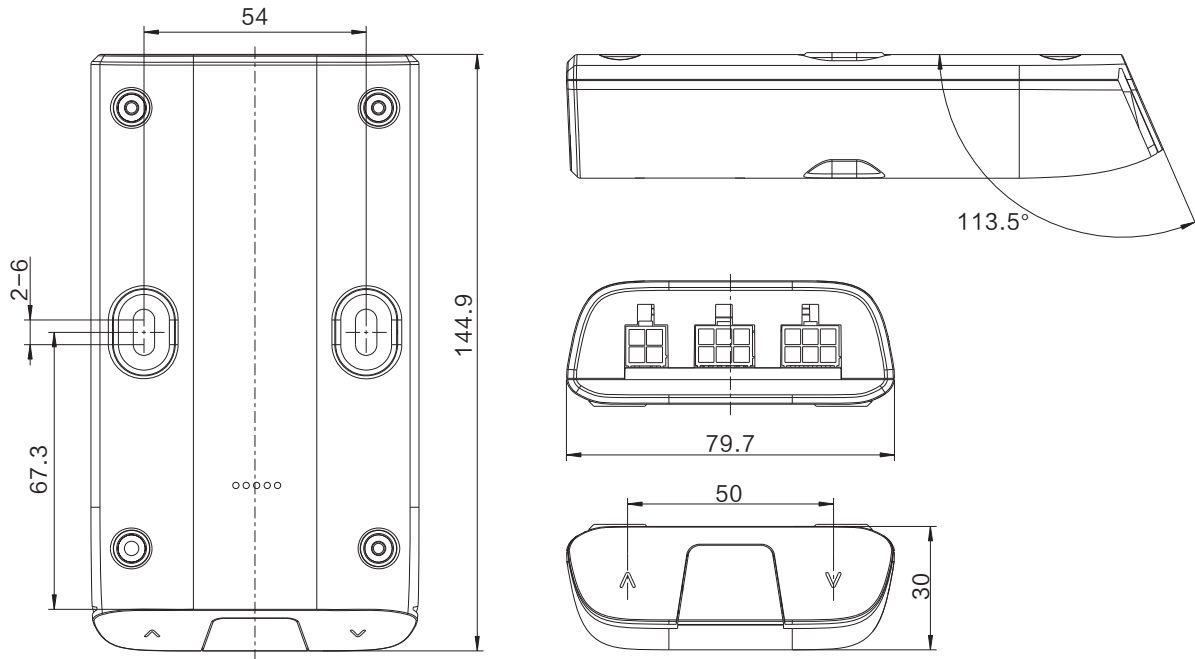
Power adapter model	Input voltage	Stage of column	Speed	Load	Motor
JCP35PA-B-3-29V/ 2A-PAGC-4G2	110/220V	2 stage	25	80Kg	Ten slots
JCP35PA-B-3-32V/ 2.12A-PAGC-4G2	110V	2 stage	30	80Kg	Ten slots
	220V	3 stage	30	80Kg	0042(18V)
	110V	3 stage	30	70Kg	0042(18V)
JCP35PA-B-3-29V/ 2A-PAGC-4G2 (S1393)	220V	3 stage	30	100Kg	Ten slots
	220V	3 stage	35	80Kg	0042(18V)

Control the number of columns: 1

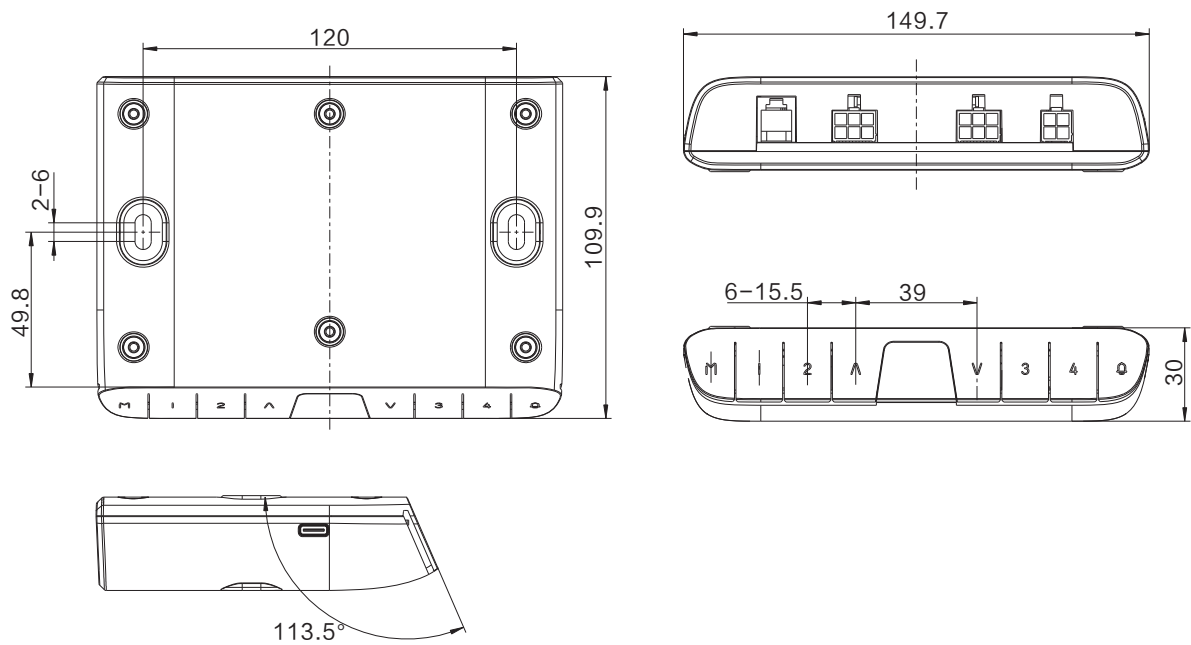
Power adapter model	Input voltage	Stage of column	Speed	Load	Motor
JCP35PA-B-3-29V/ 2A-PAGC-4G2	110/220V	2 stage	25	80Kg	Ten slots
JCP35PA-B-3-32	110V	2 stage	30	80Kg	Ten slots
V/2.12A-PAGC-4G2	220V	3 stage	30	80Kg	Ten slots
	110V	3 stage	30	70Kg	Ten slots
JCP35PA-B-3-29V/ 2A-PAGC-4G2 (S1393)	220V	3 stage	30	80Kg	Ten slots

Dimensions

JCB35M11A/B

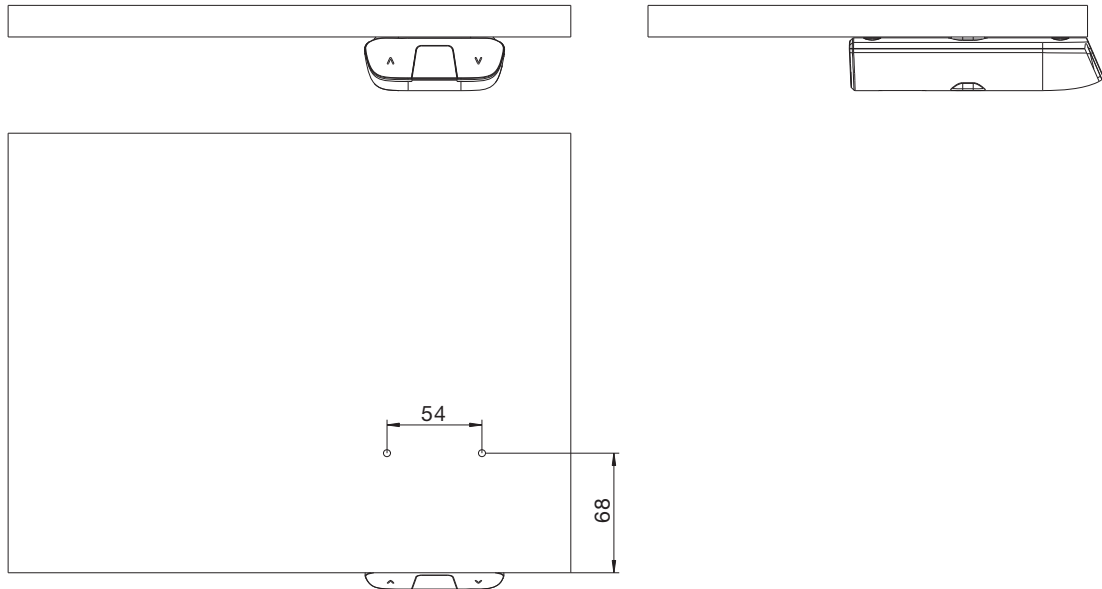


JCB35M11C

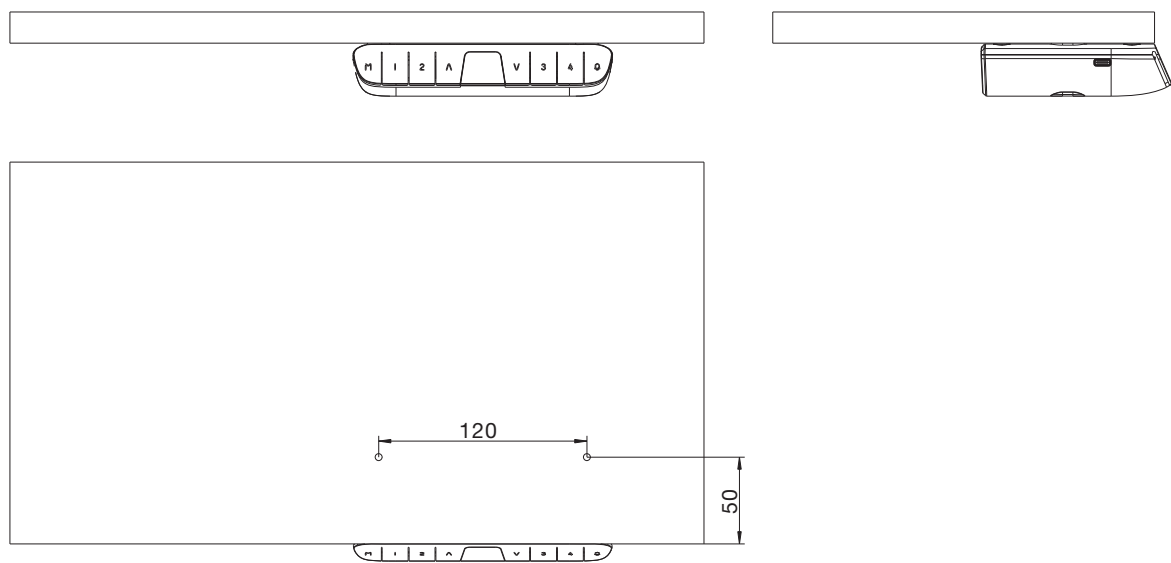


Installation Instruction

JCB35M11A/B



JCB35M11C



Ordering key

JCB35M11C - 2E7 - 5 - 0 - 0 - 500(495) - 650(700)

