

JCHT35M19C Handset



Data sheet

JCHT35M19C

- JCHT35M19C is a advanced configuration, rounded, rectangular, top mounted handset.
- IPX4 waterproof rating, protect the front of the handset from water.
- Touch screen with standby function.
- Can be widely used at home, offices and commercial environments.



Features

- Touch screen
- Front IPX4 water-proof
- Light wake
- Top mounted
- 3 Memory buttons
- LED displays

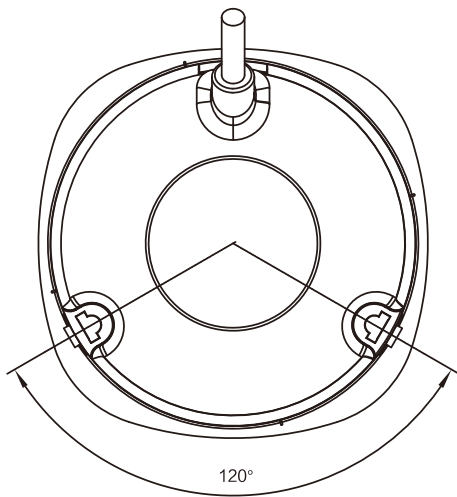
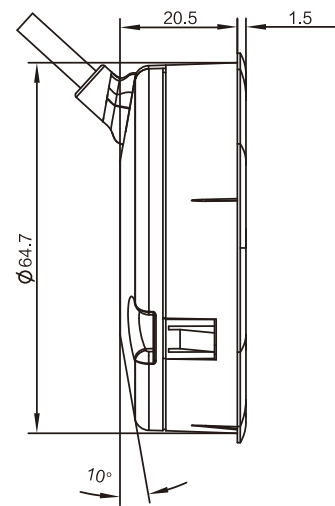
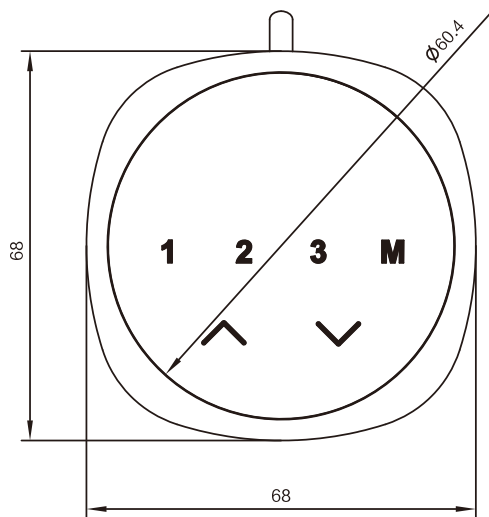
Option

- Customized LOGO

Usages

- Fit with control box: JCB35N1/JCB36N1;JCB35N2/JCB36N2;JCB35N3/JCB36N3;
JCB35N4/JCB36N4;JCB35M/JCB36M;JCB35NS1;JCB35NS2
- Working environment: Indoor
- Storage and transport temperature: -25°C+ 70°C
- Relative humidity: RH40%-95%

Dimensions



Ordering Key

JCHT35M 19C-3-01V4-B/01-8H-2D0-L/W-3

