

Hand Control JCH35A4



TECHNOLOGY
DRIVES INTELLIGENT LIFE

Data sheet

Hand Control JCH35A4

Features

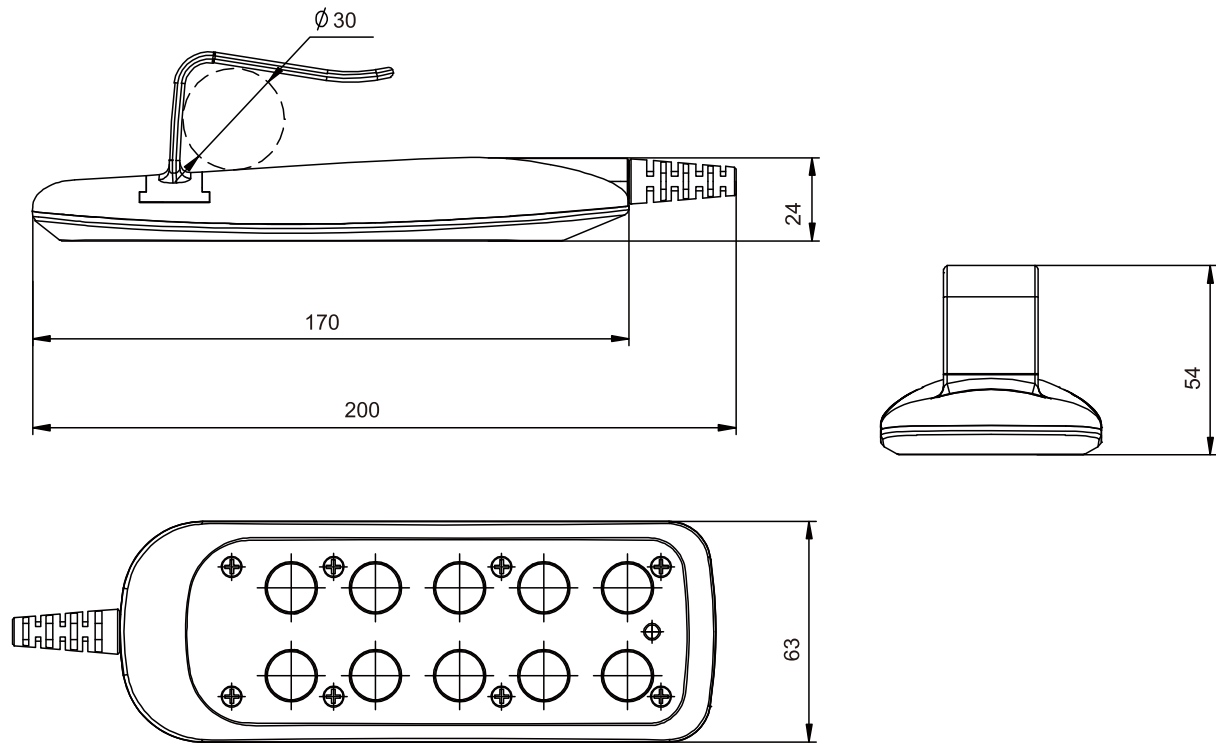
- Soft-touching case
- Optimized ergonomic design, comfort grab feel
- Optional backlight
- Up to 10 buttons



Technical specifications

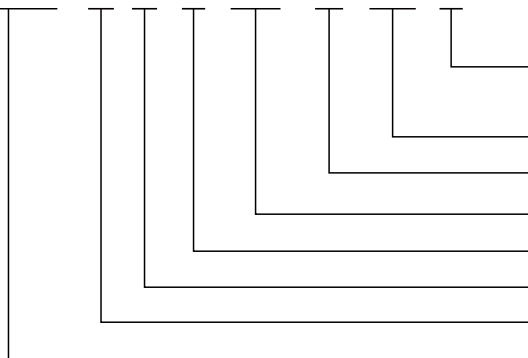
Actuator Quantity	1-5 actuators
Color	White/Black
Matched Control Box	Compatible with all Jiechang control boxes

Dimension



Ordering Key

JCH35A4 - A - 5 - G - 5G1 - L1 - 4D0 - L



Linkage

Cable Length
Plug and Cable
Panel Code
Color
Button pairs
Backlight
Type

0: single actuator

L: multiple actuators acting simultaneously

4D0: 4M 5D0: 5M

G: Grey

1-6

A:With Backlight B:Without Backlight