

# Foot Switch JCFN35



Data sheet

## Foot Switch JCFN35

- JCFN35 is a foot switch which is widely used in medical field for hospital beds, dental chairs, home care chairs and examination tables.



---

### Feature

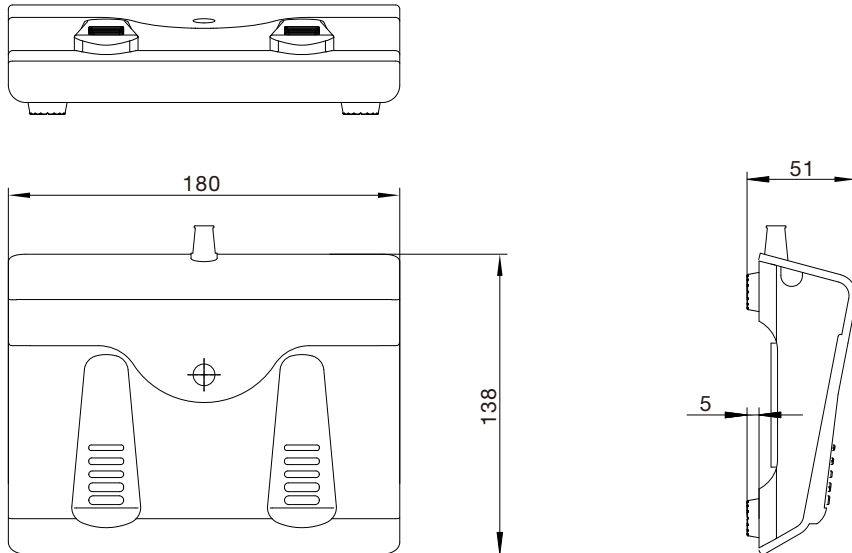
- IP grade: IP66
- Number of button: Maximum 3 rows button
- Drive up to 3 actuators simultaneously
- Color: Gray
- Supporting control box: The wired version fits all standard control boxes of JIECANG
- Operation: singular action or linkage action
- Easy to clean

### Usage

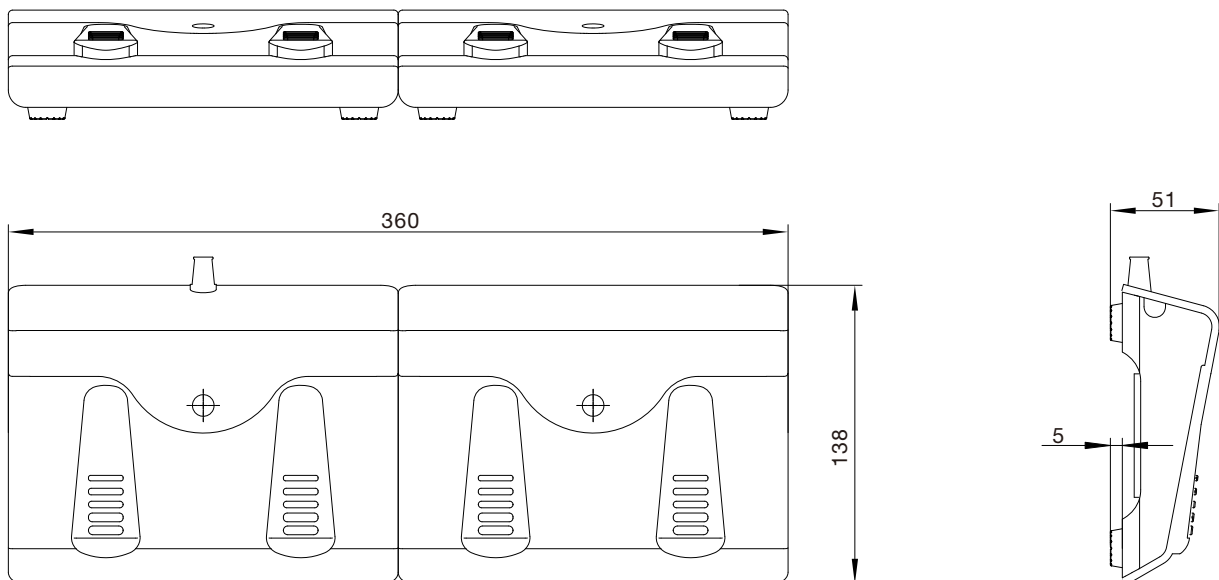
- Operating temperature: +5°C to +40°C
- Reserve Temperature: -10°C to +50°C
- Relative humidity: 20% to 80% (non-condensing)
- Atmospheric pressure: 860 to 1060 hPa
- Altitude: up to 2000m

## Dimension drawing

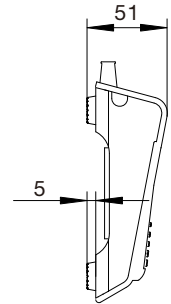
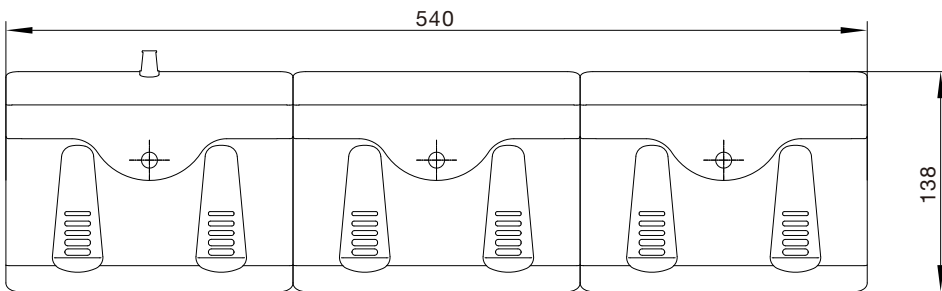
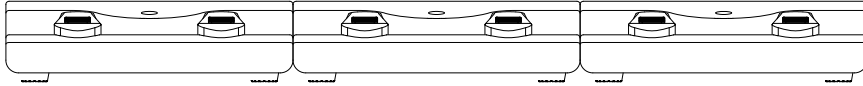
one row



two rows



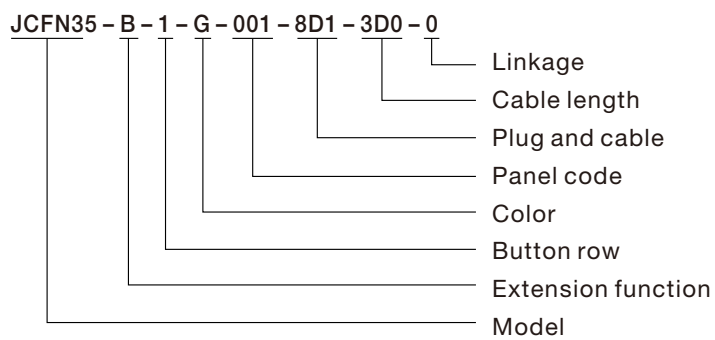
three rows



## Ordering Key

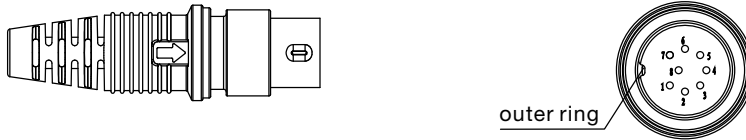
Model	JCFN35	JCFN 35foot switch
Extension function	X	A/B=with backlight A, without backlight B (Backlight is not available for JCF35V)
Button row	X	2=2 rows 3=3 rows
Color	X	B/G=Pedals Black B, Gray G
Panel code	X	M=specific code
Plug and cable	XXX	8L1=8pin DIN plug of spring cable 13L1=13pin DIN plug of spring cable 10P1=10pin crystal elbow flex plug of spring cable
Cable length	XXX	3D0=3M
Linkage	X	0=Single action L=Linkage action

## Naming regulation

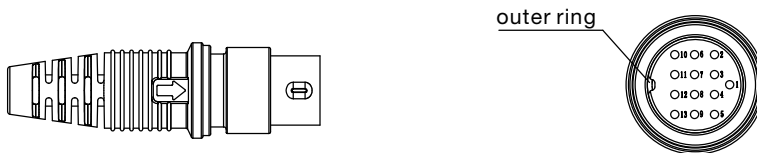


## Plug

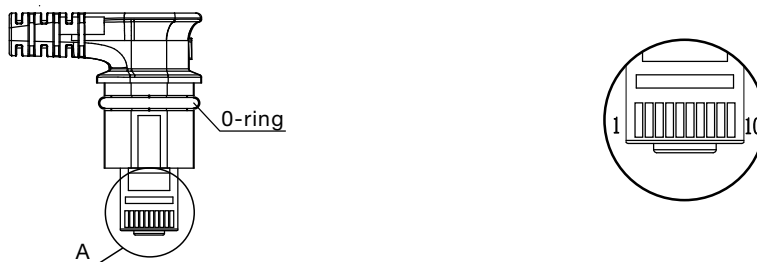
8pin DIN plug: straight cable 8D1; spring cable: 8L1(matching with JIECANG control boxes of DIN plug)



13pin DIN plug: straight cable 13D1; spring cable: 13L1(matching with JIECANG control boxes of DIN plug)



10pin crystal elbow flex plug: straight cable:10H1; Spring cable: 10P1 (matching with JIECANG control boxes JCB35T2, JCB35T3, JCB35T6 of flex plug)



Attention: The model of supporting control box and the plug will be different according to the number of supporting actuators, Please contact the salesman in the corresponding area of JIECANG for confirmation before placing an order.

## JCFN35 standard panel

Please check if the function you need is matching with panel function before placing an order.



The foot switch can match the panel according to the functional requirements of customers. Please contact the salesman in the corresponding area of JIECANG for confirmation before placing an order.

## Disclaimer and Exclusion of Liability

The user must determine the suitability of JIECANG products under specific conditions. JIECANG is committed to providing the latest product information. However, as JIECANG's product are constantly improving, it is possible to make changes to JIECANG's product without prior notice. Therefore, JIECANG cannot guarantee the correctness and authenticity of the product information. Although JIECANG will do its best to meet the order requirements, due to the above reasons, JIECANG cannot guarantee the delivery capacity of any specific product.

Therefore, JIECANG reserves the right to stop selling any products listed on the website or product catalog or other JIECANG written materials. All sales activities must be carried out in accordance with the requirements of JIECANG sales and Delivery Standard Clauses. For copies of relevant documents, please contact JIECANG.