

Control box JCB35T1



Data sheet

Control box JCB35T1

- As the latest T series controller, JCB35T1/JCB35T1-M is mainly used in the medical and nursing industries. JCB35T1 is equipped with suitable and optimized SMPS (switching mode power supply) worldwide, which can be connected with a hand controller, four actuators (The fourth one can be changed to under-bed light) and a battery. JCB35T1 has an elegant appearance and compact design. The fixed sliding block of the lower housing can be locked to the frame by screws, or can be fixed to various type of actuators by special mounting part.
- When the actuator in JCB35T1 system reaches the limit position, it will extrude the limit switch inside the actuator to stop.



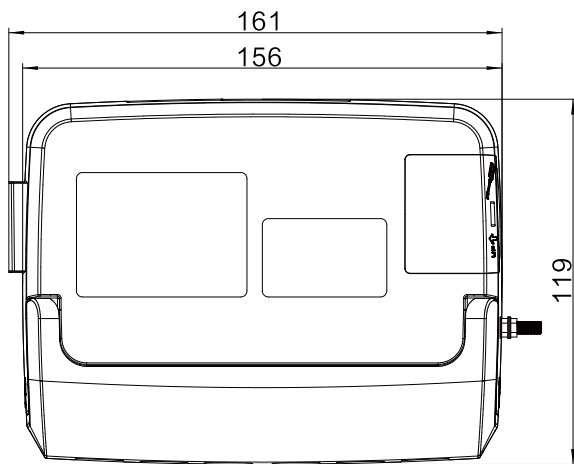
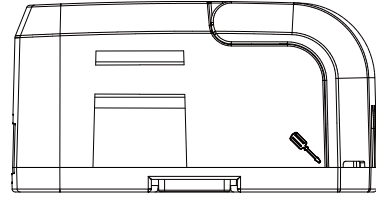
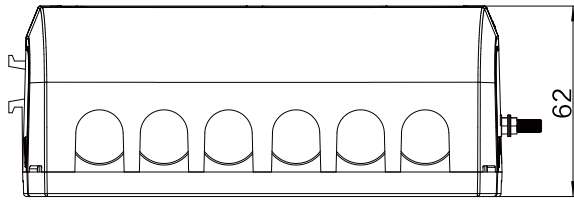
Feature

- Power supply: Input: 100-240 VAC, 50/60 Hz, Output 72W in the rated state, 180W in the working mode
- Power indicator: Yes
- Actuator interface: Max. 4 channels, 4 pin DIN plug (JCB35T1)/5 pin DIN plug (JCB35T1-M)
- Handset interface: 1 channel, 9 pin DIN plug
- Battery interface: 1 channel, 6 pin DIN plug (When there is no action output 1mA)
- Standby power: Max. 1W
- Color: Gray
- Control Method: H-bridge (no relay noise), the life-time exceeds 20,000 cycles.
- Duty Cycle: 2/18min @ 25°C; on/off continuous use (180W at 25°C for 120 seconds)
- Net Weight: 0.6kg
- Compatibility: Support standard actuator and column (inner limit switch)
- Battery Management: turning off at low voltage; charging and discharging management
- IP Grade: IPX6
- Operation: Synchronous drive (feedback optional)
- Max. Current: Total 10A for all channels
- Power supply management: Voltage management ensures maximum working power and limit output power up to 200W
- Protection: Switching power supply thermal protection/Overheat protection
- Installation: Fixed to various type of actuators by special mounting connector; frame (fixed by screws or slider block)
- Cable cover: All channels are available

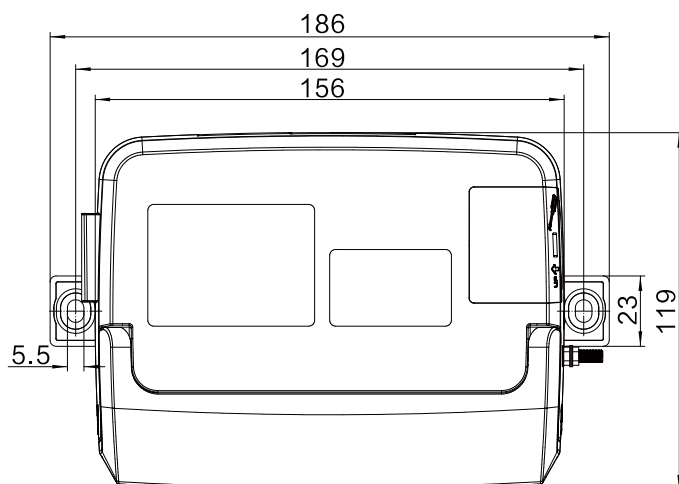
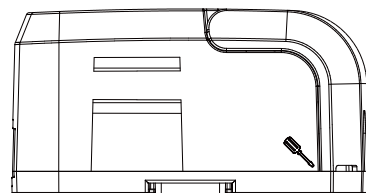
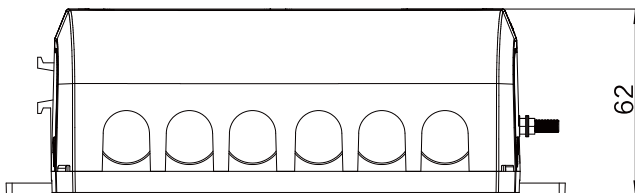
Usage

- Operating temperature: +5°C to +40°C
- Reserve temperature: -10°C to +50°C
- Relative humidity: 20% to 80% (non-condensing)
- Atmospheric pressure: 860 to 1060 hPa
- Altitude: up to 2000m
- Approvals: IEC60950 KN32 KN35

Dimension



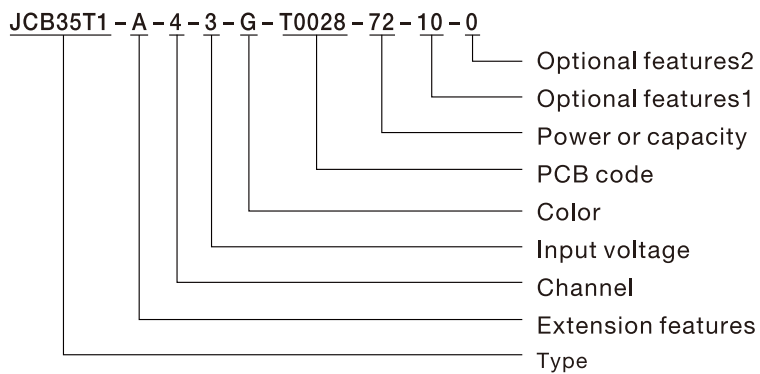
Sliding guide dimension at extension state



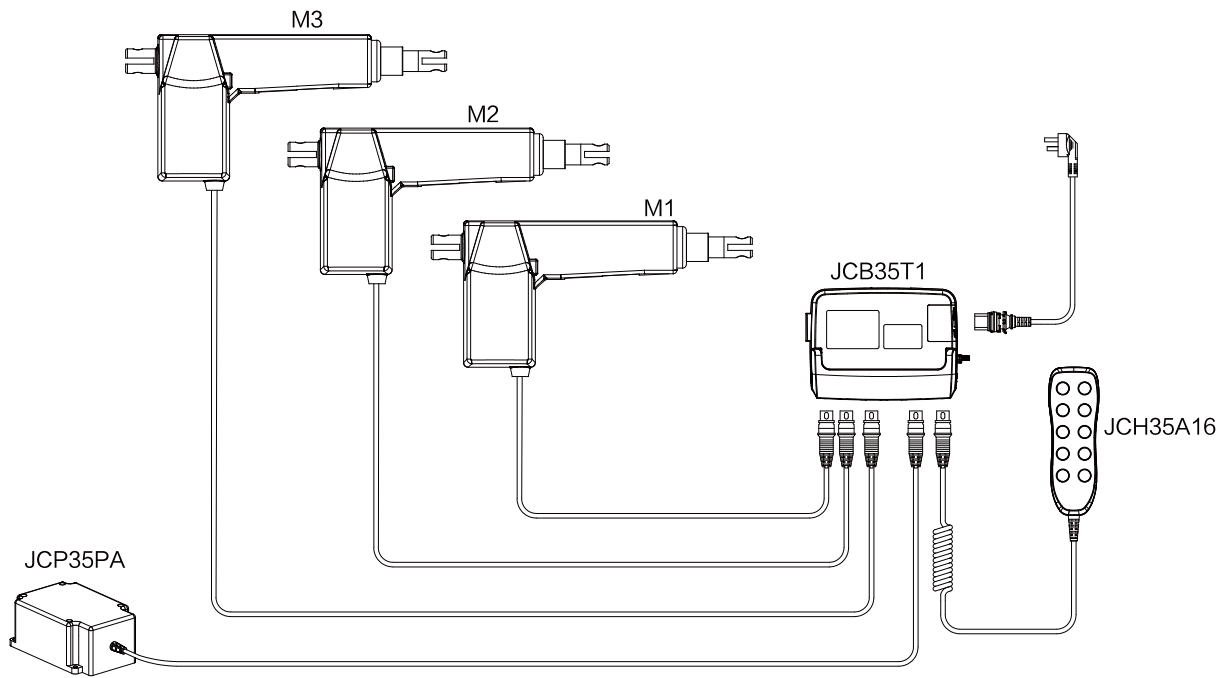
Ordering Key

Type	JCB35T1	JCB35T1= T series controller
Extension features	X	A=With Battery M=With chips
Channel	X	3=3channel 4=4channel
Input voltage	X	2=220VACor230VACor240VAC 3=110-240VDC
Color	X	G=Gray
PCB code	XX	T0028=specific code
Power or capacity	XX	72=72W 100=100W
Optional features	XX	0=No 09=External battery wiring 10=Earthing stud

Naming regulation



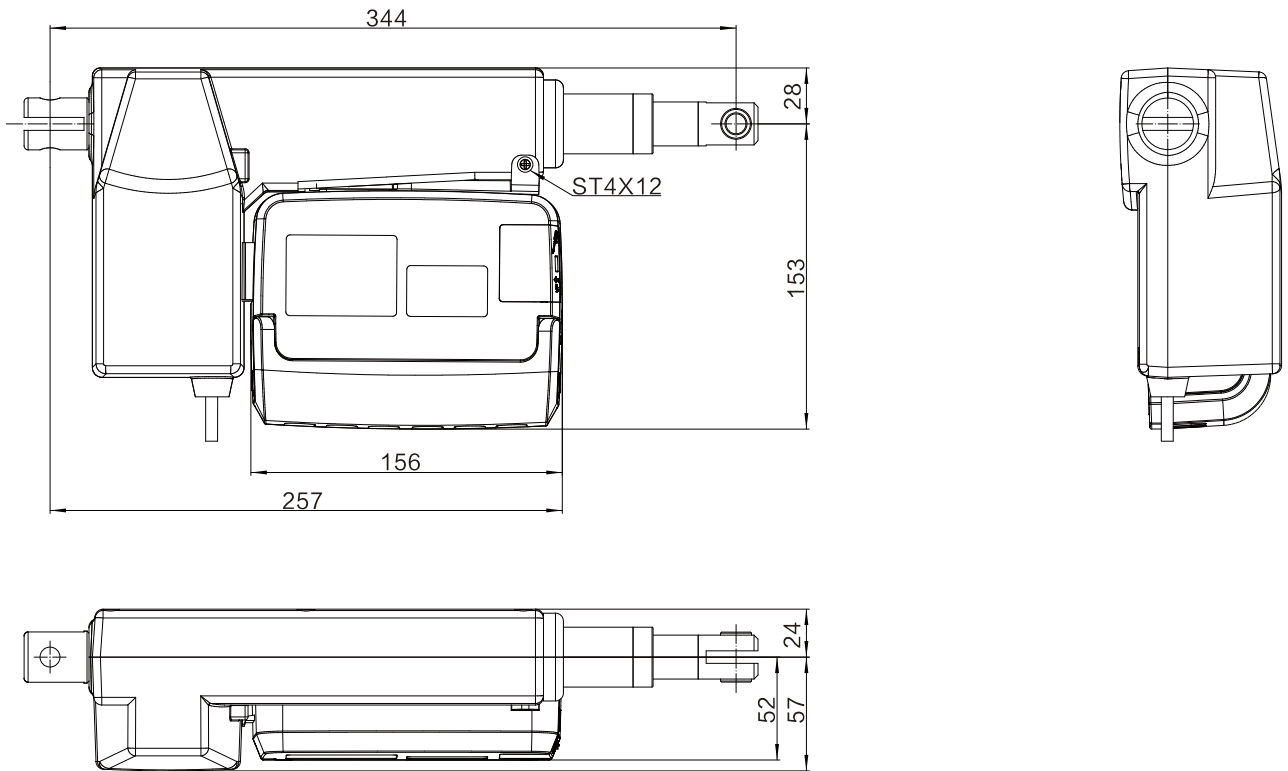
JCB35T1 System Connection



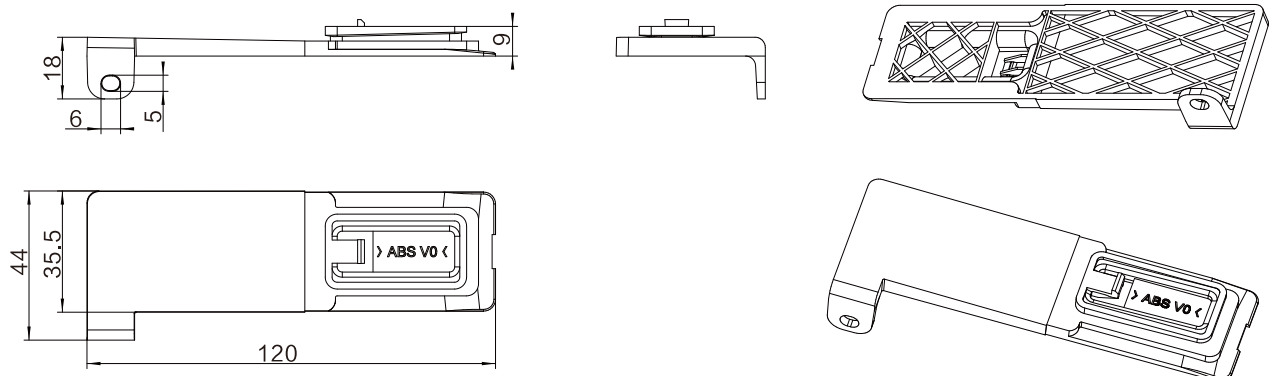
Installation procedures

JCB35T1 can be installed on various type of actuators like JC35B7, or on frame.

Installing on actuator JC35B7

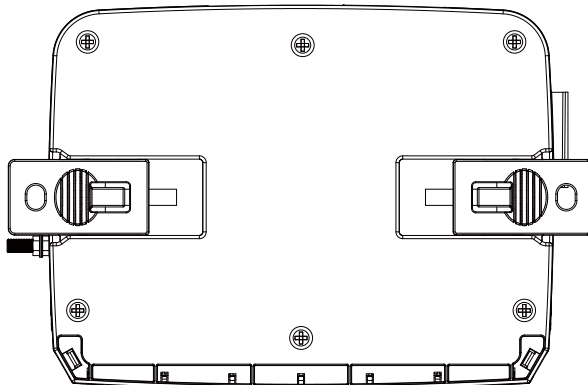
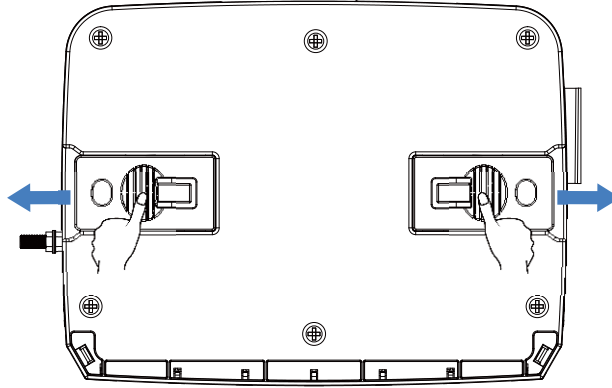


Installation connecto

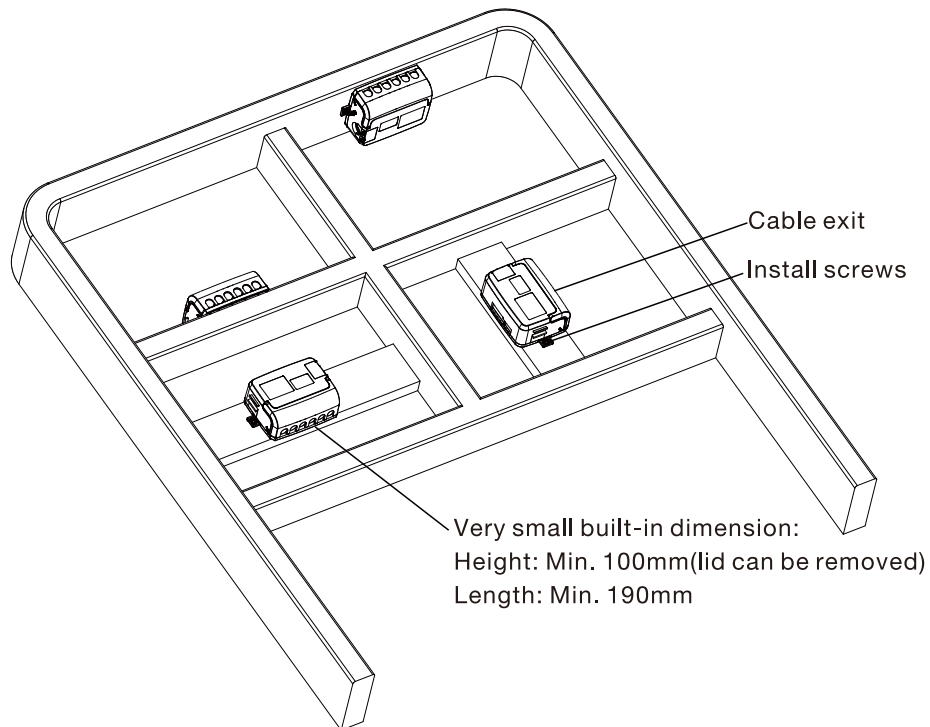


Installation procedures

Place your thumb in the groove of the arrow in the installation slide block diagram, and push it horizontally until the limit stops, as shown in the following figure, so that the installation slide block exposes the fixed hole.



JCB35T1 install on frame



It is recommended to install JCB35T1 where allows water to escape.

Recommended torque: 0.6Nm +/-0.1

The controller can be installed on the frame or any other application according to installation procedures

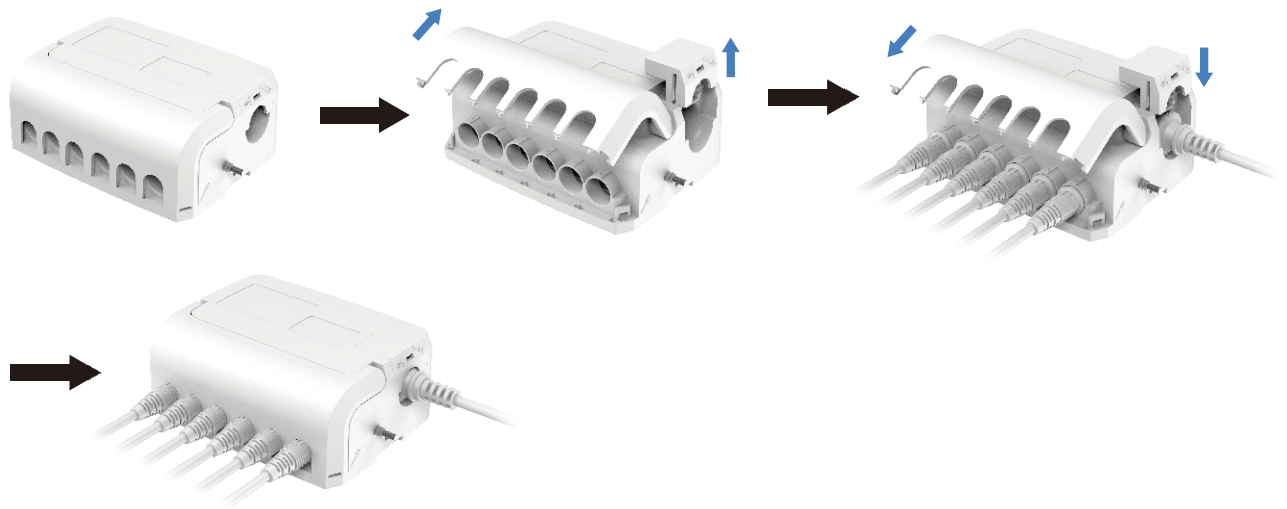
- 1) Place the M5 nut on the exposed hole of the mounting block, and fix the mounting block with the M5 bolts from the rear side;
- 2) Fix the mounting slider with M5 machine screw with flat washers (install a nut on the back of the mounting slider);
- 3) Fixed the mounting block to the frame with self-tapping screws.

Cable locking and management

Cable locking

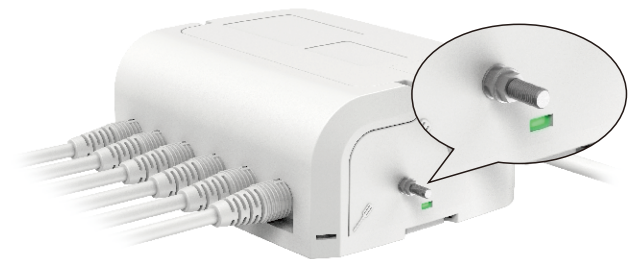
The control box JCB35T1 has a uniquely designed cable cover. The cable cover is closed, it acts as an integrated actuator lock.

1. Push the cable plug into the control box;
2. Close the cable cover until it snaps into place (see the arrow)



LED indication:

JCB35T1 has a green LED power indicator
When JCB35T1 is connected with AC power,
the LED is on (Green)
Otherwise, the LED is off.

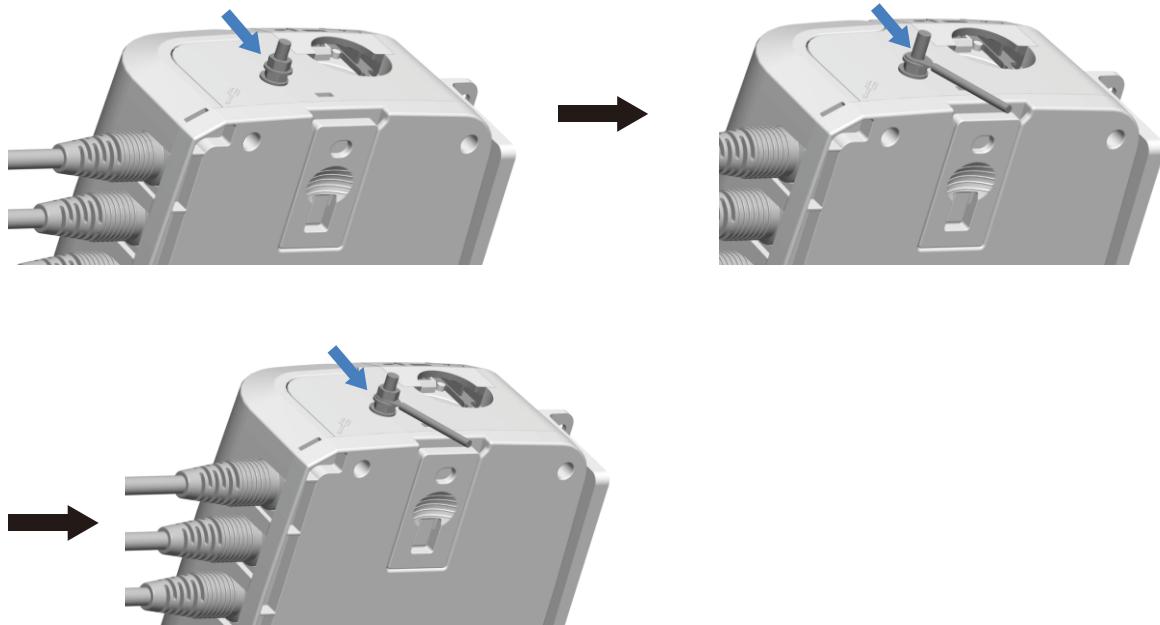


JCB35T1 grounding wire installation diagram

Step 1: Release the first nut.

Step 2: Place the earthing conductor on the gasket

Step 3: Install the nut on the earthing conductor and complete the installation. Recommended torque: 0.2Nm;



Disclaimer and Exclusion of Liability

The user must determine the suitability of JIECANG products under specific conditions. JIECANG is committed to providing the latest product information. However, as JIECANG's product are constantly improving, it is possible to make changes to JIECANG's product without prior notice. Therefore, JIECANG cannot guarantee the correctness and authenticity of the product information. Although JIECANG will do its best to meet the order requirements, due to the above reasons, JIECANG cannot guarantee the delivery capacity of any specific product.

Therefore, JIECANG reserves the right to stop selling any products listed on the website or product catalog or other JIECANG written materials. All sales activities must be carried out in accordance with the requirements of JIECANG sales and Delivery Standard Clauses. For copies of relevant documents, please contact JIECANG.