

Controller Boxes JCB35Q3



Data sheet

Control Boxes JCB35Q3

- As the Q series control box, JCB35Q3 is mainly used in hospital and nursing industries. JCB35Q3 is equipped with globally applicable and optimized SMPS (switching power supply), which is carried with one hand control port and three channels. JCB35Q3 has an elegant appearance and compact design. The fixed slider of the lower housing can be locked to the platform by screws.
- The motor power will be cut off in the control box instead of in the signal switch of linear actuator when actuators in JCB35Q3 system reach the limitation.



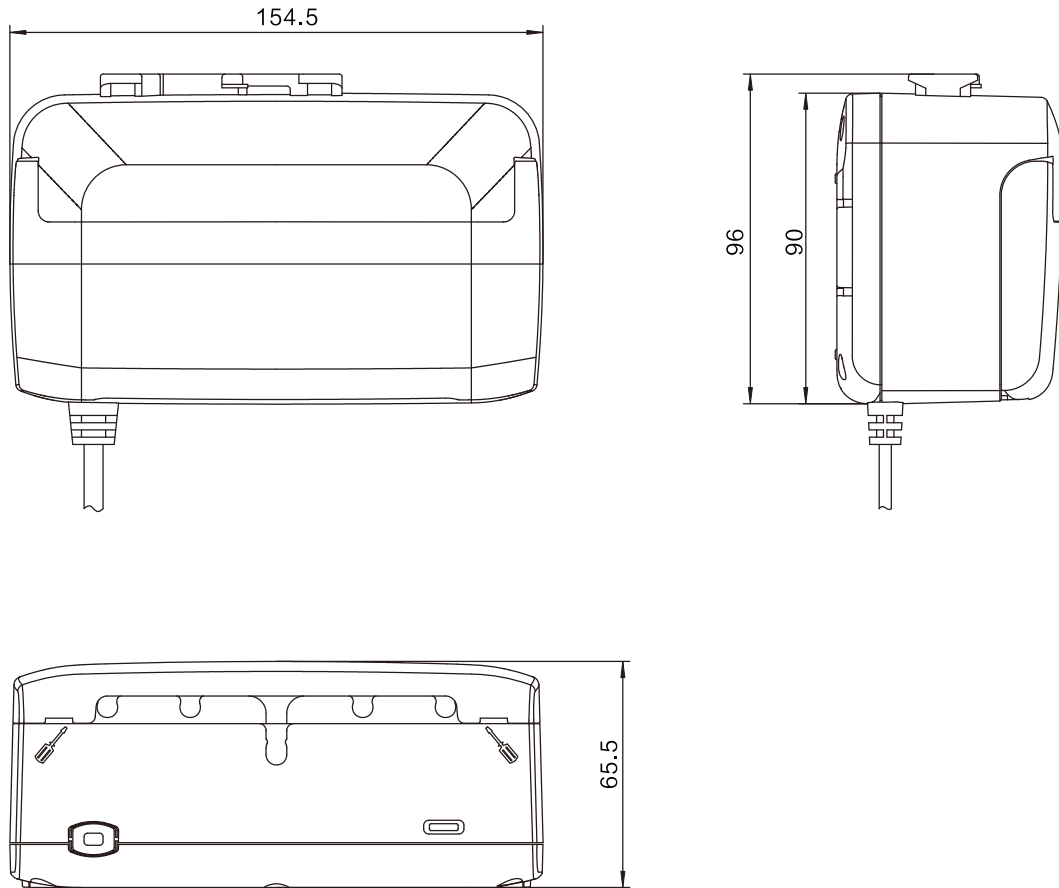
Features

- Power: input_100-240VAC, 50/60 Hz; The output power is 50W in the rated state, and the output power is 120W in the working mode
- Power point light: Yes
- Actuator interface: Max.3 channels, ET 6pin waterproof bending plug
- Handset interface: 1 channel, 10pin crystal head waterproof bending plug
- Safety switch interface: optional Safety switch, 01 waterproof bending plug
- Standby power: Maximum 1W (230V)
- Color: Grey
- Control idea: H-bridge, the service life exceeds 20000 cycles
- Duty cycle: 2/18 @ 25° C; on/off continuous use (120W at 25° C for 120 seconds)
- Weight: 0.6kg (including power cable)
- IP grade: IPX4
- Single channel maximum current: 5,5 ± 0.5A
- Power management: voltage management can ensure maximum power operation and limit the maximum output power
- Safety system: switching power supply thermal protection
switching power supply over-current protection
switching power supply short circuit protection
control panel over-current protection
- Installation: bed frame (via screws)
- Line card: All ports have

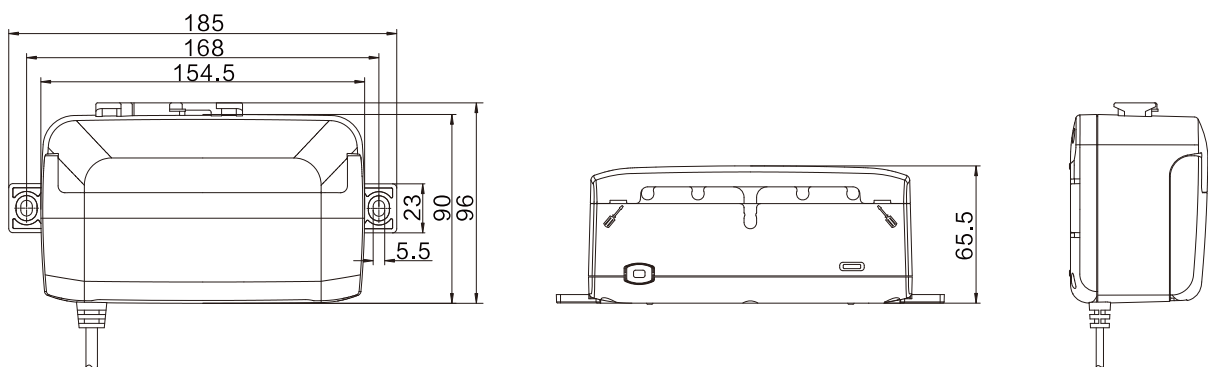
Usage

- Operating temperature: +5°C to +40°C
- Reserve temperature: -10°C to +50°C
- Relative humidity: 20% to 80% - no condensation
- Air pressure: 860 to 1060 hPa
- Altitude: up to 2000m
- Certificate: IEC60601-1 edition 3.1
EMC: IEC60601-1-2

Drawing and size (mm)



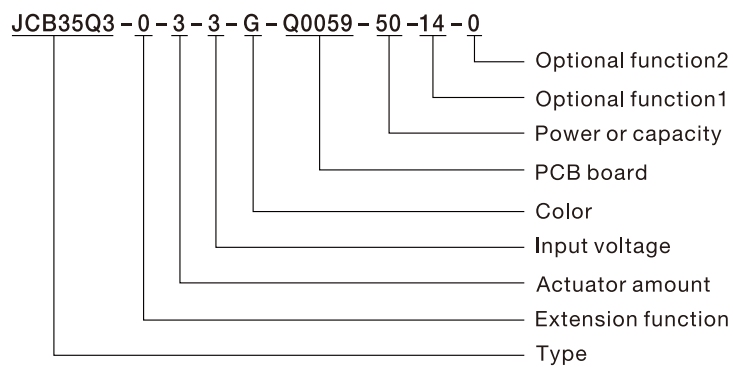
The extended state of the installation slider:



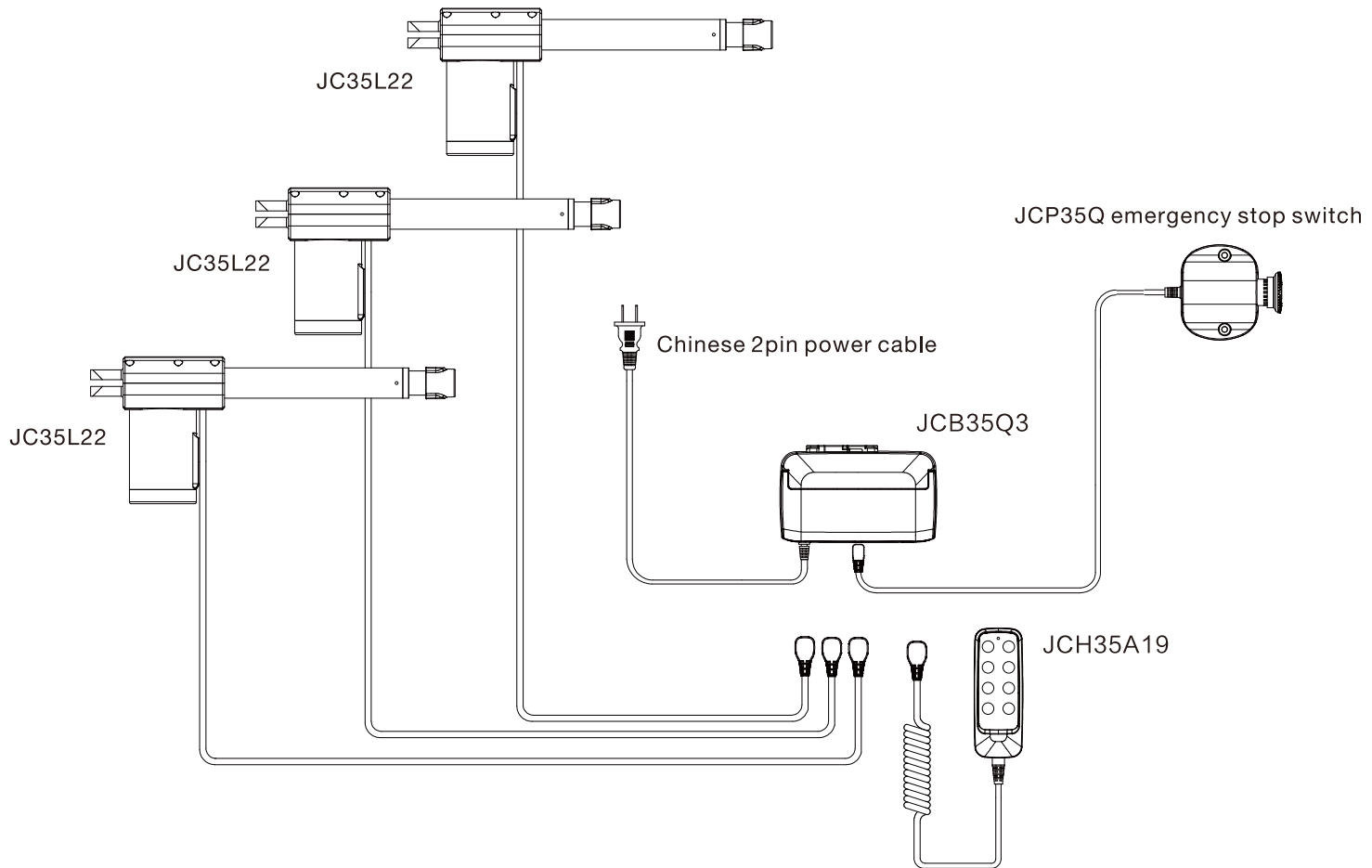
Ordering Key

Type	JCB35Q3	JCB35Q3=Q series control box
Extension function	0	With no extension function
Actuator amount	3	3=3 actuators
Input voltage	3	3=110VAC-240VAC
Color	G	G=gray
PCB board	Q0059	Q0059=PCB board Specify code
Power or capacity	50	50=50W
Optional function	14	14=outgoing line wire with emergency stop switch

Naming regulation



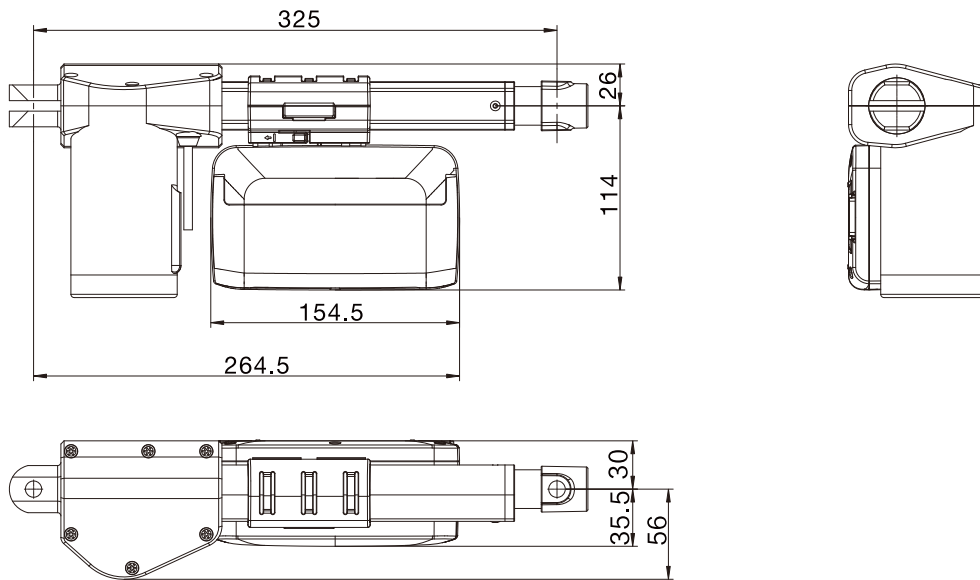
JCB35Q3 platform - system picture



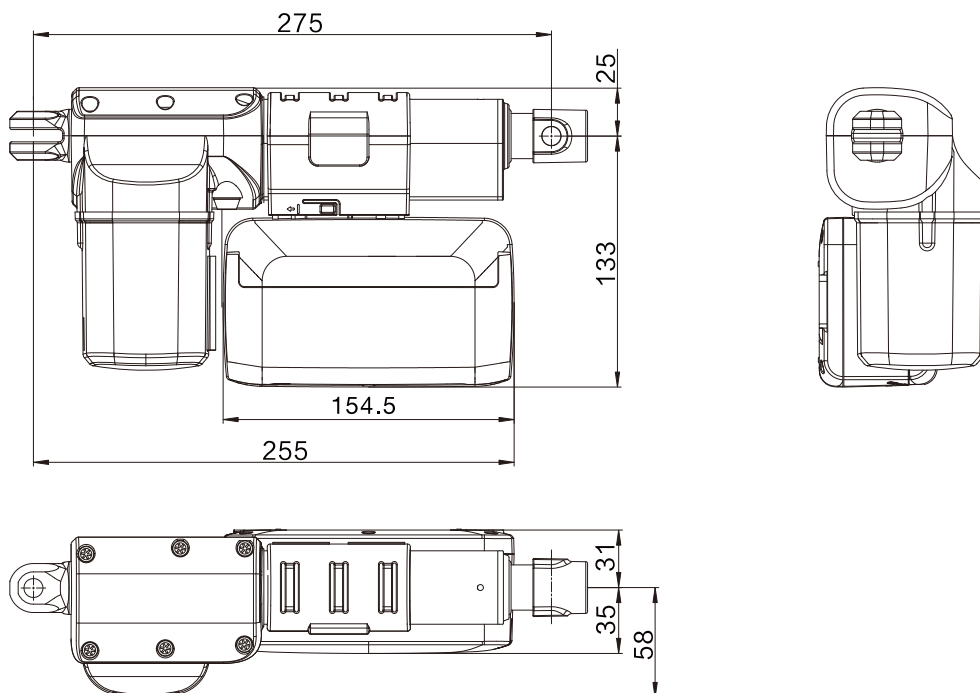
Position

It can be installed on various actuators (JC35L22, JC35L9), and can also be installed on the bed frame.

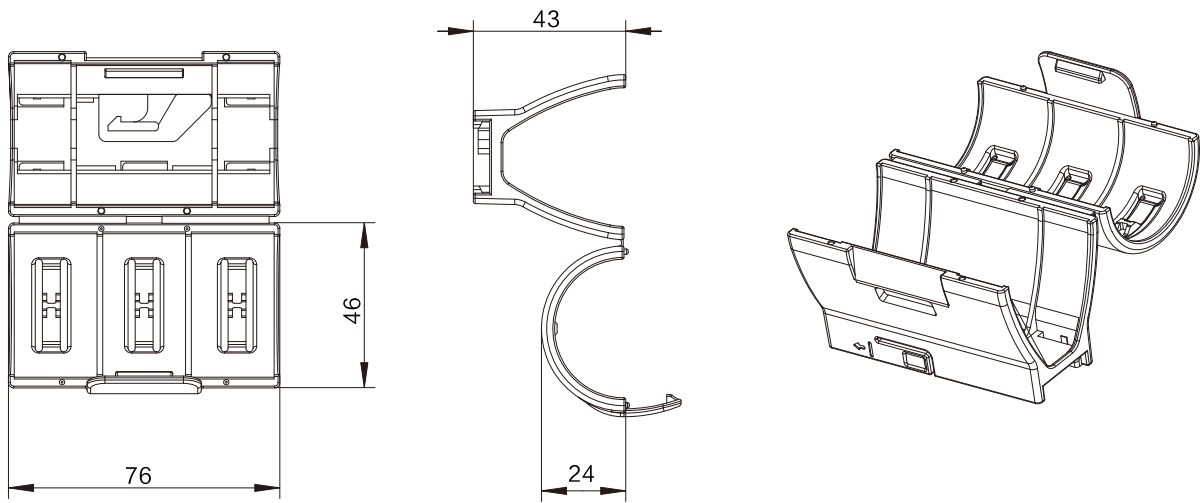
Install on JC35L22



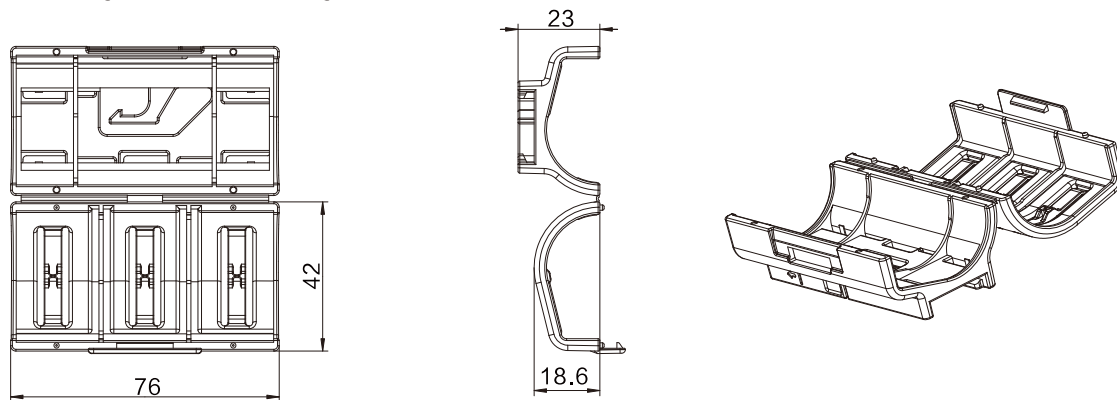
Install on JC35L9



Mounting bracket: matching JC35L9

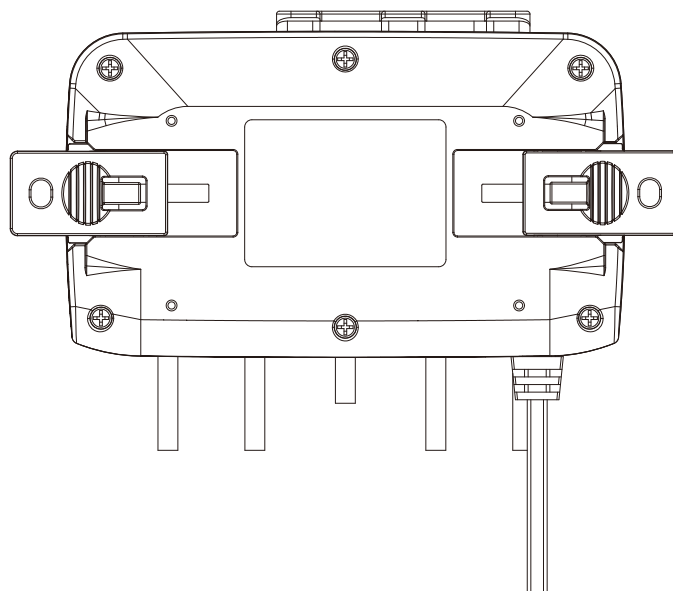
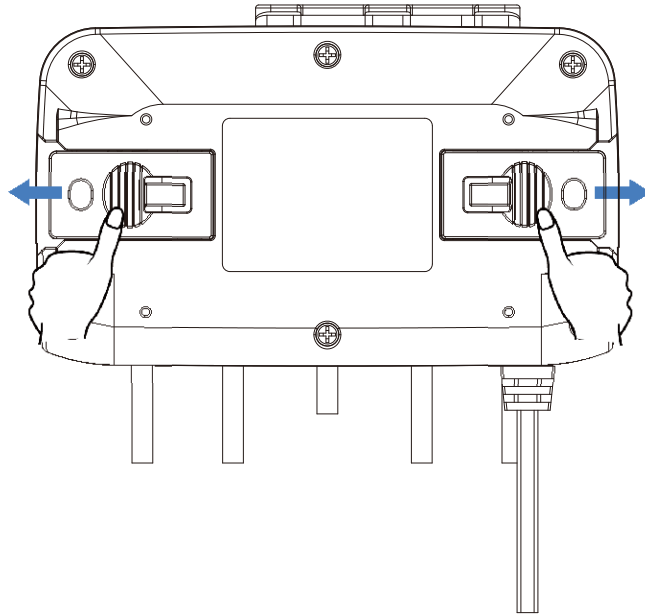


Mounting bracket: matching JC35L22

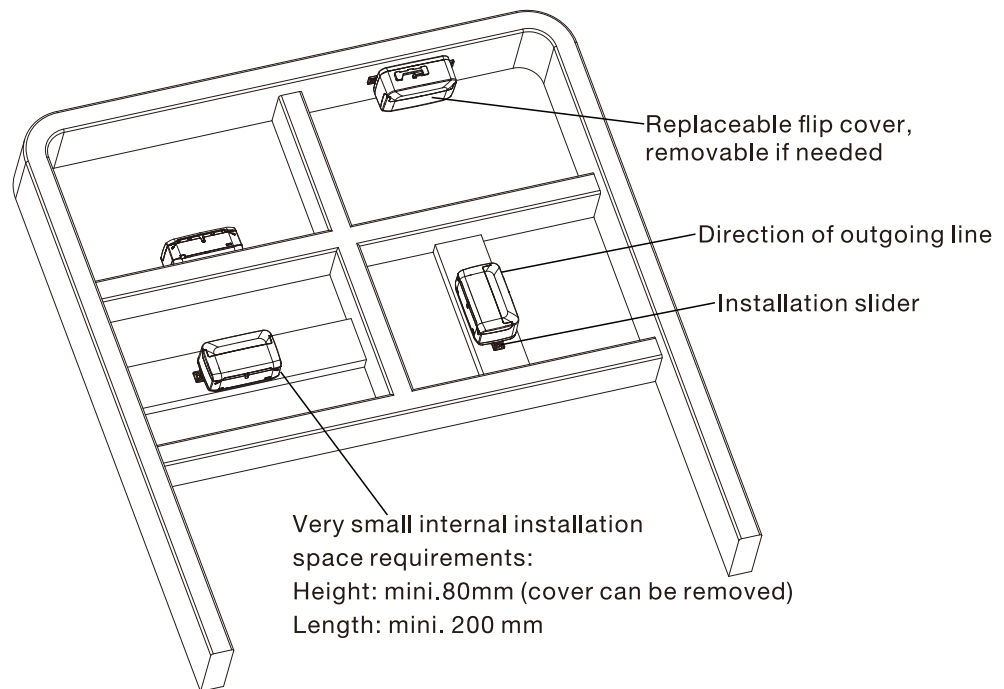


Usage

Put your thumb in the groove of the red arrow in the installation slide block diagram, and push it horizontally until the limit stops, as shown in the following figure, so that the installation slide block exposes the fixed hole.



Install on frame



It is recommended to install JCB35T2 where it can drain water.

Suggested torque: 0.6Nm +/-0.1

The controller can be installed on the bed frame or any other application according to one of the following installation procedures:

- 1) Place the M5 nut on the exposed hole of the mounting block, and fix the mounting block with M5 bolts from the rear side.
- 2) Fix the mounting slide with M5 machine screws with flat washers (install a nut on the back of the mounting slide).
- 3) Fix the mounting slider to the frame with self-tapping screws.

Cable locking and management:

Actuator lock

The control box JCB35T2 has a uniquely designed cable cover. When the cable cover is closed, it acts as an integrated actuator lock.

1. Install the cable plug into the control box
2. Close the cable cover until it snaps into place (see the red arrow)

In order to allow maintenance personnel to have free access to the cables, the cover can stay in a fixed position when it is fully opened.



LED indication:

JCB35Q3 has a green LED power indicator. When JCB35Q3 is successfully connected to the main power (Show green); In other cases, the LED is off



Conditions of Use:

The user must determine the suitability of Jiechang products under specific conditions. Jiechang is committed to providing accurate latest product information. However, due to JC's continuous improvement of its products, JC's products may not be notified in advance with frequently changes . Therefore, Jiechang cannot guarantee the correctness and authenticity of the product information. Although Jiechang will do our best to meet the order requirements, but for the above reasons, Jiechang cannot guarantee the deliver ability of any specific product.

Therefore, Jiechang reserves the right to stop selling any products listed on the website or product catalog or other Jiechang written materials. All sales activities must be carried out in accordance with the requirements of the Jiechang Sales and Delivery Standard Terms. For copies of related documents, please contact Jiechang.