

Control Boxes JCB35K3



Data sheet

Control Boxes JCB35K3

JCB35K3 is the control box specially designed for patient lifter. Optimized from K2, the battery can be charged separately from the control box or directly charging in control box. The battery capacity is of 2.2 or 4.4AH, having longer service life. And it can avoid mistaken touch for the special position of the emergency stop switch, while safe and convenient for emergency situations. With 2.0-inch TFT color display, operating data can be showed directly.



Features

- Can connect to most 3 actuators and 1 controller
- Output voltage: 24VDC
- Battery capacity: 2.2AH or 4.4AH
- Color: Blue and white
- Overload protection: Single-extra overcurrent protection
- Plug of actuators: DIN 6 ET bend plug
- Plug of controllers: DIN 10 RJ bend plug
- Power indication: Both on handset and display
- Low power alarm: icon on display and buzzer warning
- Emergency stop switch: power dump in emergency situations
- With 2.0-inch TFT color display
- IP rating: IP66

Addition

Charging

- Can directly charge the control box (with battery in, and turn the stop switch on and pull out the rubber plug)
- Charging state: Orange indicates “-ing”, screen indicates “finished”
- Any operation is unavailable when charging.

Water-proof

- Before washing, please turn off the stop switch and ensure the rubber plug tightly closed;
- Please place the charger and the battery holder in dry condition

Others

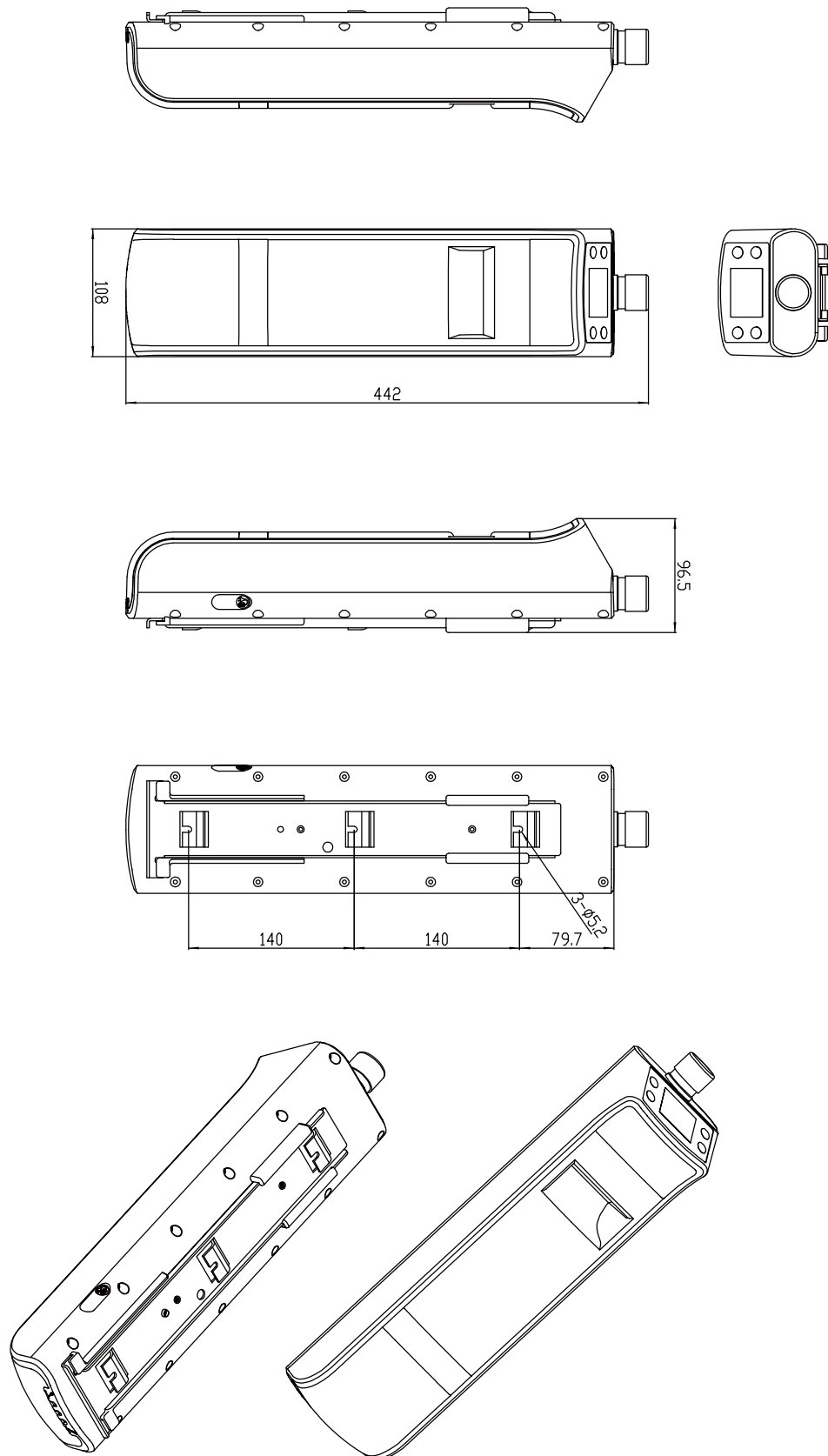
- Three indicators when in low power state: flashing lights on handset, buzzer warning and icon alarm on control box;
- Display can show timely power capacity, actuators' state and the runs number and overload times of the actuator M1 (the main actuator);
- Can set the maintenance cycle by own, and it would mention it when expiring ;
- Can set the current value of over-current;
- Can check the historical data and data reset;
- Without any operation, the indicator light on handset and the control box screen would go out in 10 seconds.

Usage

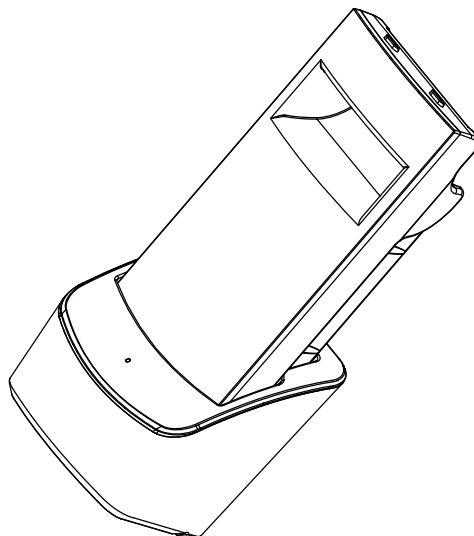
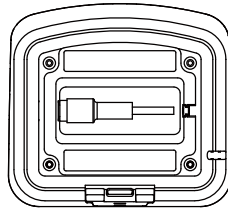
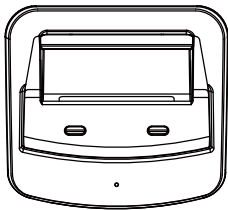
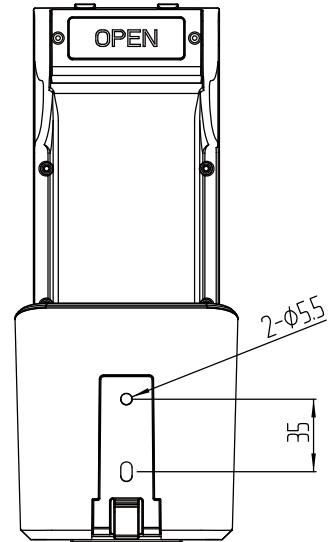
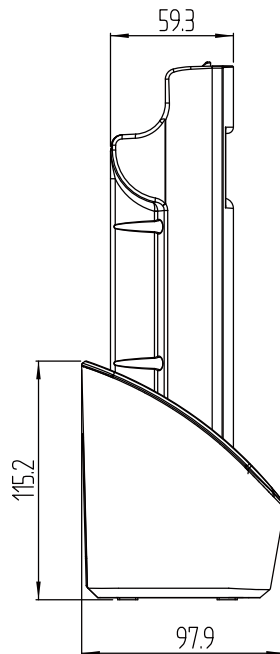
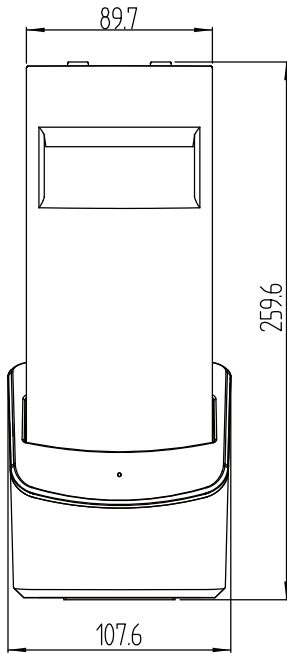
- Duty cycle: 10%, continuous work for most 2 minutes
- Ambient temperature: +5°C~+40°C



Dimensions



Dimensions of the Battery Holder



Ordering Key

JCB35K3 - M - 3 - 5 - G/B1 - K0005 - 4D4 - 0 - 0

