

## Control Box JCB35K2-B



## Data Sheet

# Control Box JCB35K2-B

JCB35K2-B is the control box targeted for patient lifts to reduce inconvenience for short-distance motion of the patients.



---

### Features

- Can connect to most 2 actuator outputs and 1 handset
- Output Voltage:25.9VDC
- Battery Capacity:2.2AH or 4.4 AH
- Color: Grey
- Overload Protection: Over-current protection (LED indication on its handset)
- Real-time Power:display on its handset (LED)
- Emergency stop switch:to prevent actuators from motion under emergency conditions
- Low Voltage Alarm: buzzer alarm and indicator lights flashing on its handset
- IP rating IP54
- Can directly charge the control box with battery in

### Usage

- Duty cycle:10%, continuous work for most 2 minutes
- Ambient temperature: +5°C~+40°C

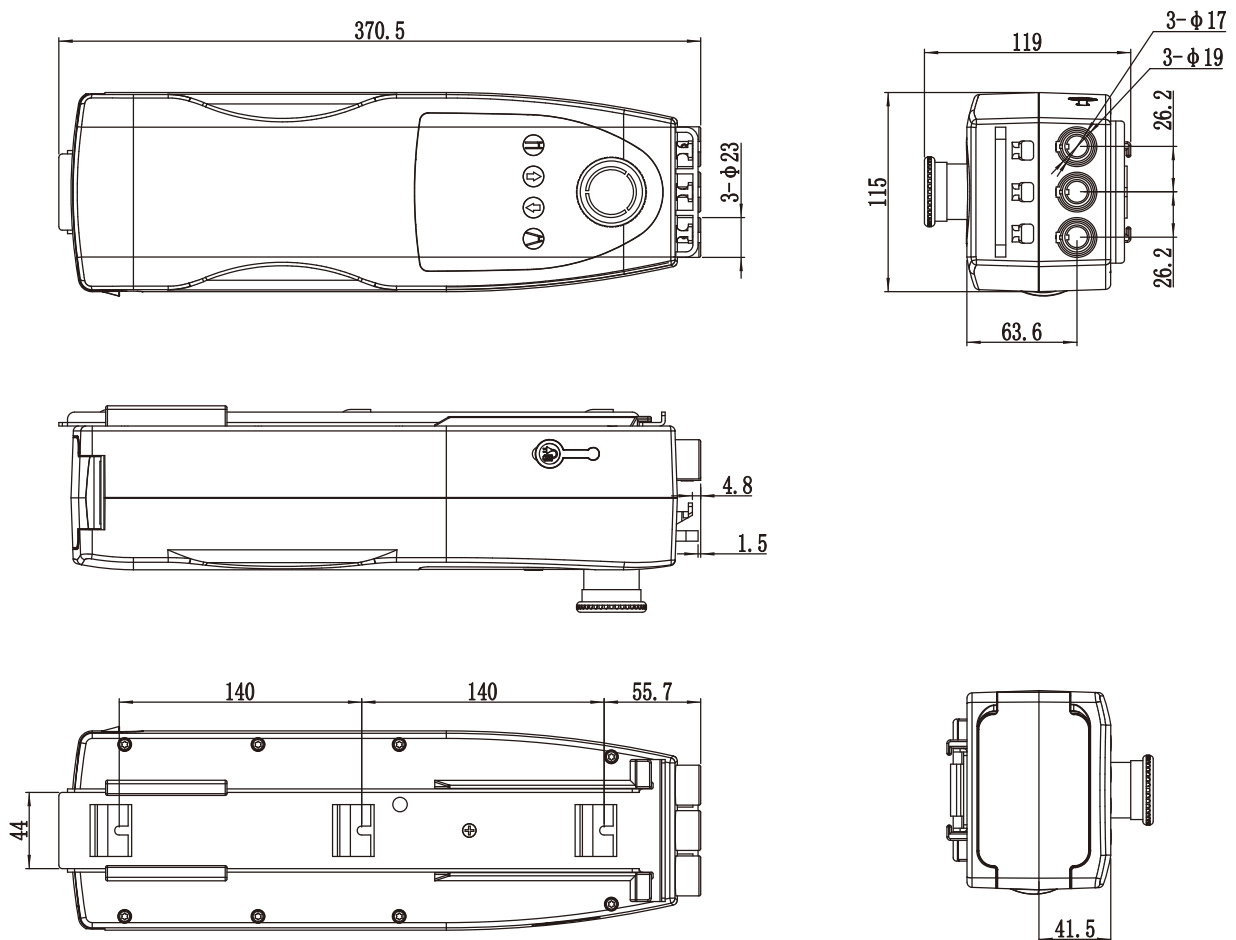
### Others

- Real-time power indicating on the handset (LED display)
- Battery can be charged separately or directly charge the control box with battery in
- Without any conducts in 10 seconds, the power indicator lights on its handset would go out and the control box goes into low-power dissipation
- Low voltage alarm: when conduct any operation and the voltage is below 21.5V, the buzzer would sound and the indicator light flashes on its handset until you release the operation key
- Any operation is unavailable during power charging (the indicator light on the charger:orange shows "charging"and green "charged")

## Attention

- Li-ion battery should be charged by especial Li-ion charger and the output voltage of the charger should be under the limitation. Surrounding temperature should range from 0 to 40 .
- Place the battery and the control box in dry condition.
- When battery is out, please timely power it on.
- Please do not place or use the battery in overheat conditions (usually during 5°C-40°C is allowed) .

## Dimensions



## Ordering Key

JCB35K2 - M - 2 - 5 - G - K0004 - 2.2 - B - 0

