

Control Box JCB35K2-A



Data Sheet

Control Box JCB35K2-A

JCB35K2-A is the control box targeted for patient lifts, to reduce inconvenience for short-distance motion of the patients. With LCD display, it can indicate the real-time power capacity along with its compatible handset. Li-ion battery of 2.2 or 4.4 AH, which is more environmentally friendly, can be charged.



Features

- Can connect to most 2 actuator outputs and 1 handset
- Output Voltage: 25.9VDC
- Battery Capacity: 2.2AH or 4.4 AH
- Color: Grey
- Overload Protection: Over-current protection (LED indication on its handset)
- Real-time Power: display on both control box and handset
- Emergency stop switch: to prevent actuators from motion under emergency conditions
- Low Voltage Alarm: buzzer alarm and indicator lights flashing on the handset
- IP rating IP54
- Charging the control box with battery in

Others

- Real-time power indicating on the handset and the control box .
- Low voltage alarm: when conduct any operation and the voltage is below 21.5V, the buzzer would sound and the indicator light flashes on its handset until you release the operation key
- Battery can be charged separately or directly charge the control box with battery in
- Without any conducts in 10 seconds, the power indicator light on the handset and the LCD screen on the control box would go out and the control box goes into low-power dissipation

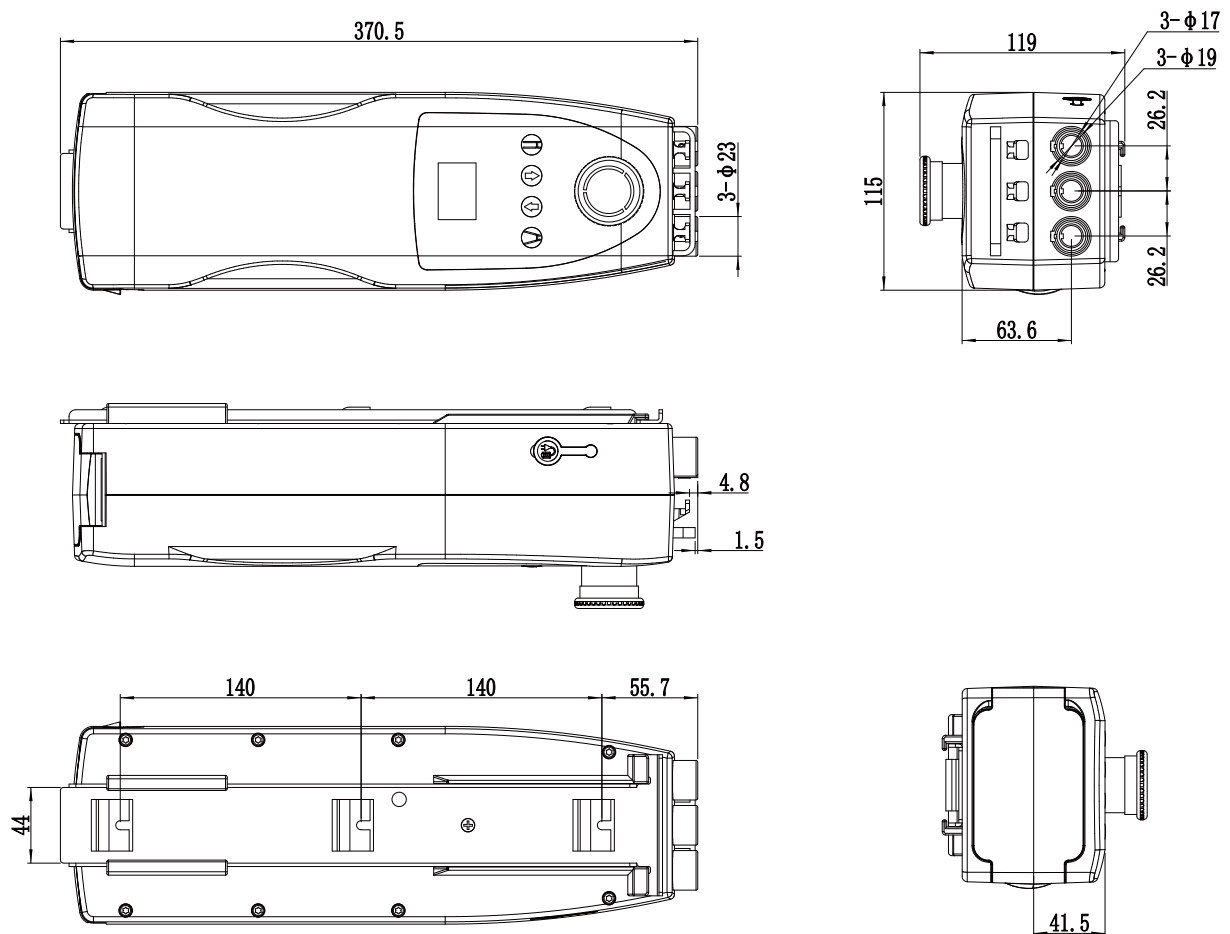
Usage

- Duty cycle: 10%, continuous work for most 2 minutes
- Ambient temperature: +5°C~+40°C
- Any operation is unavailable during power charging (the indicator light on the charger: orange show "charging" and green "charged")

Attention

- Li-ion battery should be charged by especial Li-ion charger and the output voltage of the charger should be under the limitation. Surrounding temperature should range from 0 to 40.
- Place the battery and the control box in dry condition.
- When battery is out, please timely power it on.
- Please do not place or use the battery in overheat conditions (usually during 5°C-40°C is allowed) .
- Please do not expose the control box to the sun or other environments with plenty of UV as it would shorten the service life of the LCD screen.

Dimensions



Ordering Key

JCB35K2 - M - 2 - 5 - G - K0004 - 2.2 - A - 0

