

JC35N6 Linear Actuator

Application field - Medical Line
 Preferably in medical rehabilitation equipment and other industrial occasions.

JC35N6 has following specifications: JC35N6-600N; JC35N6-1200N, It is used in medical rehabilitation equipment and other industrial occasions. It is characterized by fast speed, low noise, small dimensions as well great protection level.

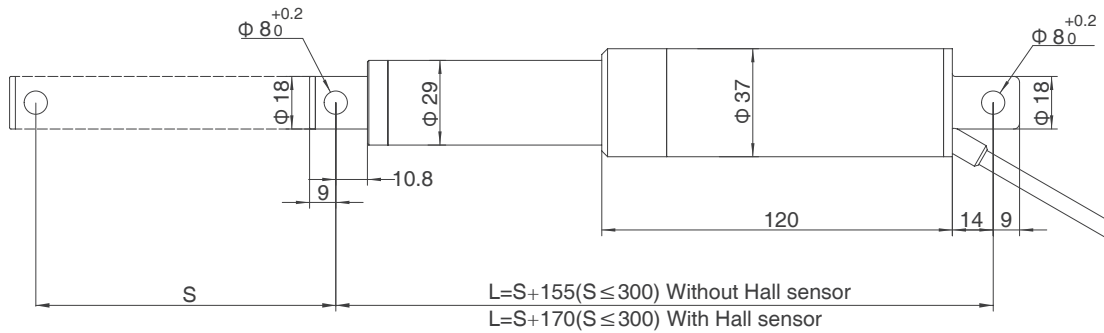


General Features

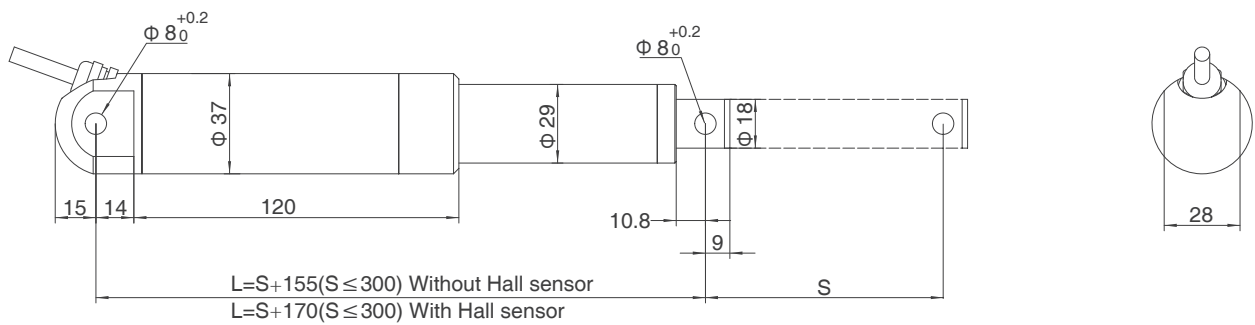
Load in push (N):	600 1200
Load in pull (N):	600 1200
Installation dimensions:	L = S+155 (S ≤ 300, Without Hall sensor) L = S+170 (S ≤ 300, With Hall sensor)
Stroke length (mm):	600N: 0-300 1200N: 0-300
Options:	Hall sensor
Colour:	Black
Built-in electrical limit switch:	None
Weight:	About 0.7kg (different stroke length and installation dimensions with different weight)
Duty cycle:	10%, max. 2min. continuous use
IP grade:	Max. IPX6
Noise level:	≤ 58dB (environmental noise ≤ 40dB)
Static bending moment:	Lateral load is not allowed

Dimension Drawing

IPX4



IPX6



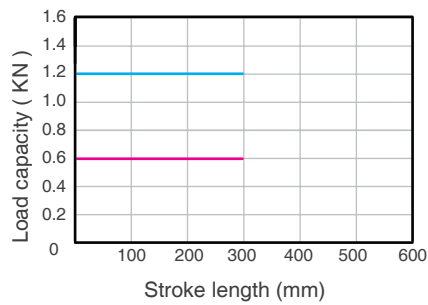
Technical Data-Standard value

Voltage (VDC)	Spindle pitch (mm)	Max. load in push (N)	Max. load in pull (N)	Mechanical self-lock (N)	Speed at no load/full load (mm/s)	Current at full load (A)
24	3	600	600	600	10.5/7.4	≤ 1.5
24	3	1200	1200	1200	7/4.5	≤ 1.5

Remarks: It can achieve better self-locking ability with Jiecang control box;

The above data is the standard value of the test data (inspection specification) at room temperature of 25°C .

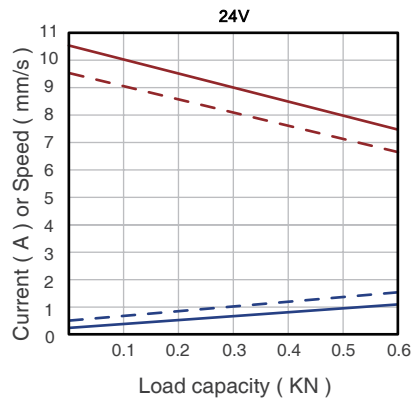
Stroke length versus load



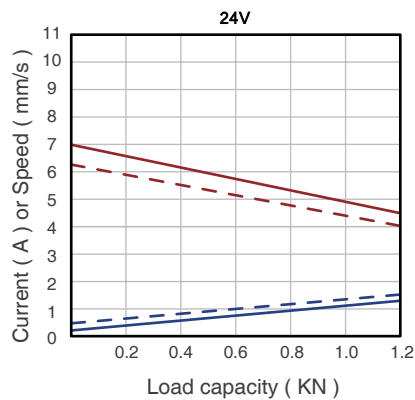
Characteristic

600N

Typical speed ———
 Min. speed - - - -
 Typical current ———
 Max. current - - - -



1200N



Ordering Key

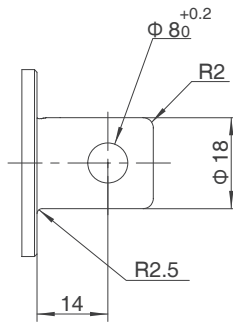
Take **JC35N600D67D424100/2550BTLF220020D5** for example

Model	JC35N6	
Optional features	0	0 = Standard / Y = Hall sensor
Load in push	0D6	0D6 = 600N / 1D2 = 1200N
Speed at full load	7D4	7D8 = 7.4mm/s 4D5 = 4.5mm/s
Input voltage	24	24 = 24 VDC
Stroke length/ Installation dimension	100/255	Stroke length = XXX Installation dimension = XXX
Clevis directions	0	0 = Standard
Color	B	B = Black
End clevis specification	T	T = Without slot Φ 8
End clevis material	L	L = Aluminium alloy
Top clevis specification	F22	F22: With JC35N6 plastic cover, without slot, with groove Φ 8
Brake specification	0	0 = No brake
Type of plug and cable	02	02 = 4-pin DIN plug 21 = 6-pin ET plug
Cable length	0D5	0D5 = 0.5m / 1D5=1.5m

Ordering Details

Dimension drawing of clevis

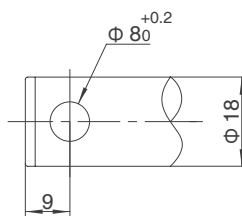
End clevis: T Standard



End clevis: T Waterproof



Top clevis: F22

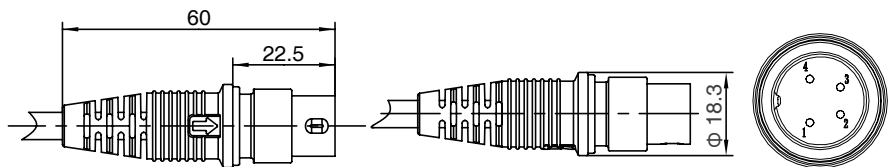


Motor wire

4-pin straight plug (standard)

Matching controller: JCB35Q/
JCB35T/ JCB35R/ JCB35R1/
JCB35S/ JCB35K2

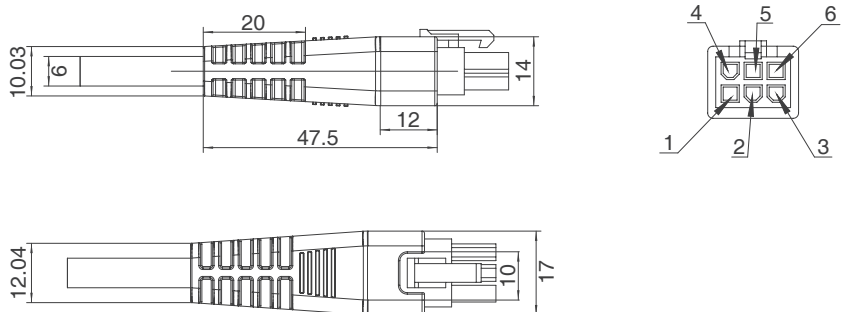
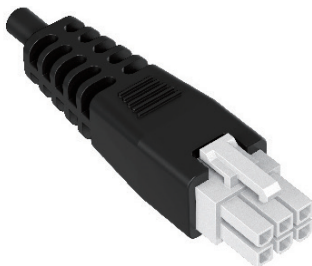
Pin	Color	Function
1	NC	Not connected
2	Brown	When positive voltage power on, actuator will go down
3	Blue	When positive voltage power on, actuator will go up
4	NC	Not connected
Outer ring	NC	Not connected



6 Pin Mini-Fit elbow plug

Matching control box :JCB35N/
JCB35H

Pin	Color	Function
1	Orange	Hall sensor 2
2	Black	GND
3	Red	5V
4	Brown	When positive voltage powered on, actuator goes down
5	Blue	When positive voltage powered on, actuator goes up
6	Yellow	Hall sensor 1



Disclaimer and Exclusion of Liability

The user must determine the suitability of JIECANG products under specific conditions. JIECANG is committed to providing the latest product information. However, as JIECANG's products are constantly improving, it is possible to make changes to JIECANG's products without prior notice. Therefore, JIECANG cannot guarantee the correctness and authenticity of the product information. Although JIECANG will do its best to meet the order requirements, due to the above reasons, JIECANG cannot guarantee the delivery capacity of any specific product.

Therefore, JIECANG reserves the right to stop selling any products listed on the website or product catalog or other JIECANG written materials. All sales activities must be carried out in accordance with the requirements of JIECANG sales and Delivery Standard Clauses. For copies of relevant documents, please contact JIECANG.



Strictly abiding by medical safety certifications

Passed EMC tests. To ensure our products pass all kinds of tests domestic or abroad.



Communication protocol development

Aiming at different applications, develop more extensive functions for control system.



Professional customization

Powerful R&D strength, fully satisfy customers' needs. Development cycle is about 10 days, seizing more market opportunities



Intelligent Control of Bluetooth

Mobile phone as the remote, applying in home care. Market pioneer, Jiecang provides better choices



Wireless Communication

Controllers adopt high-frequency wireless system. It can avoid interference mixing with signal receivers, assisting in remote control over medical equipment.



Latest Weighing System

Designed for physiotherapy beds and medical care beds. Cantilever carrying weighing sensor, it is applicable to different bedsteads dispensing with any adjustment



Notes for mounting and usage can be found in the corresponding mounting manual