

Linear Actuator JC35N



Data sheet

Linear Actuator JC35N

Features

- 12V safety voltage
- Thrust up to 20 N in push and up to 20 N in pull
- Color: black
- Standard protection class: IP54/IP66
- Aluminium-Alloy outer tube and inner tube, beautiful and corrosion resistant
- The average noise level is lower than 60dB (ambient noise is less than 60dB).
- High-strength front and back fixtures
- Certificate : CE



Options

/

Usage

- Max 10% or 2 minutes continues use followed by 18 minutes not in use
- Ambient temperature: +5 ° to +40 °
- Matching 12V safety voltage

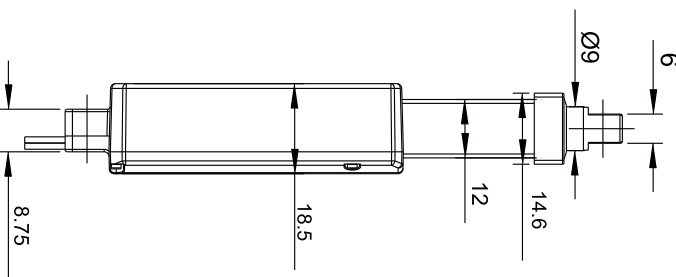
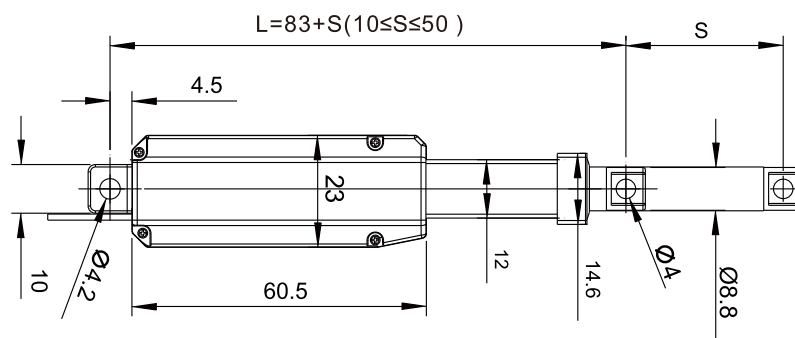
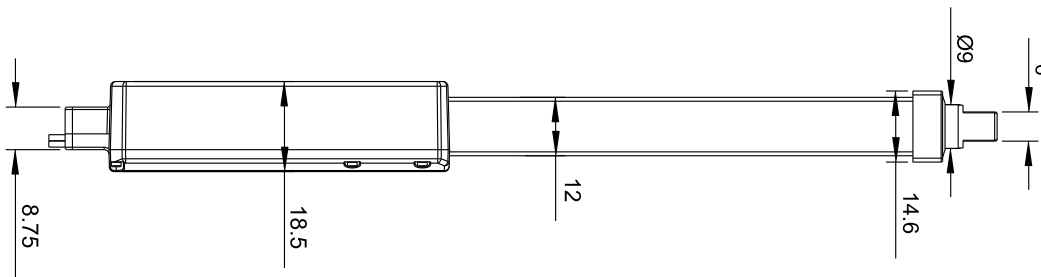
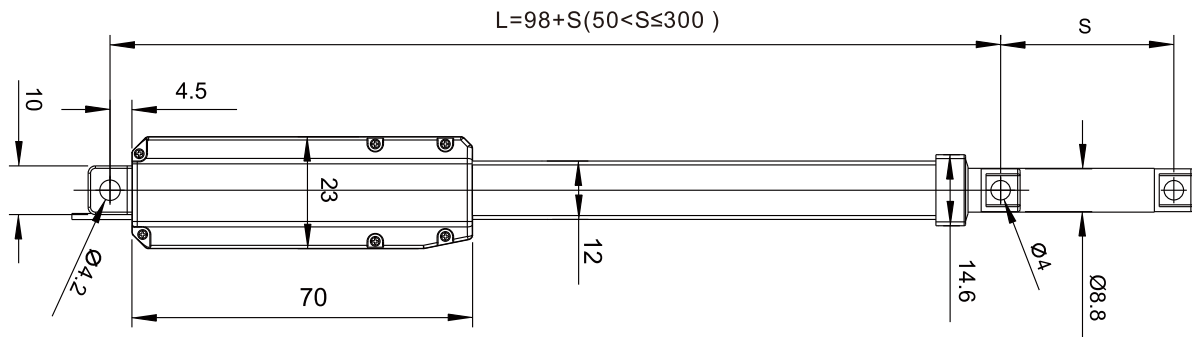
Technical specifications

Spindle pitch (mm)	Max. load push (N)	Max. load pull (N)	Self-lock (N)	Typical speed Unloaded (mm/s)	Typical speed full load (mm/s)	Typical Amp full load (A)
/	20	20	25	15	12	0.22

Comments to table

- The above measures are made in connection with 12V DC stabilized voltage supply.
- JIECANG control boxes are designed so that they will short-circuit the motor terminals (poles) of the actuator(s) when the actuator(s) are not running. This solution gives the actuator(s) a higher self-locking ability. If the actuator(s) are not connected to a JIECANG control box, the terminals of the motor must be short-circuited to achieve the self-locking ability of the actuator.

Dimension

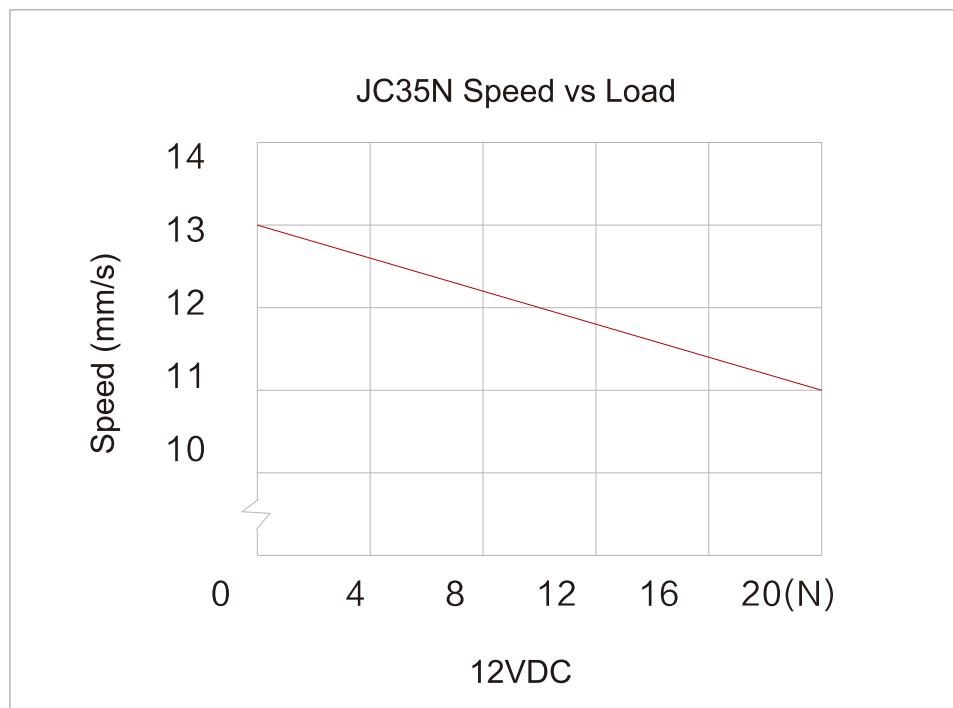
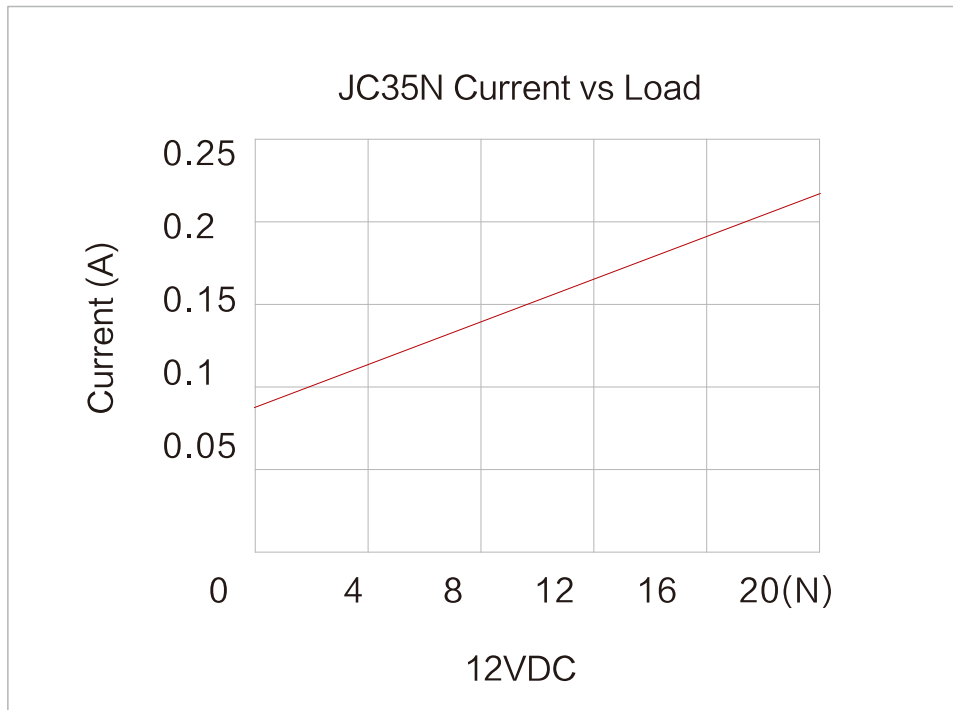


Installation dimensions

$$L=S+83 \quad (10 < S \leq 50)$$

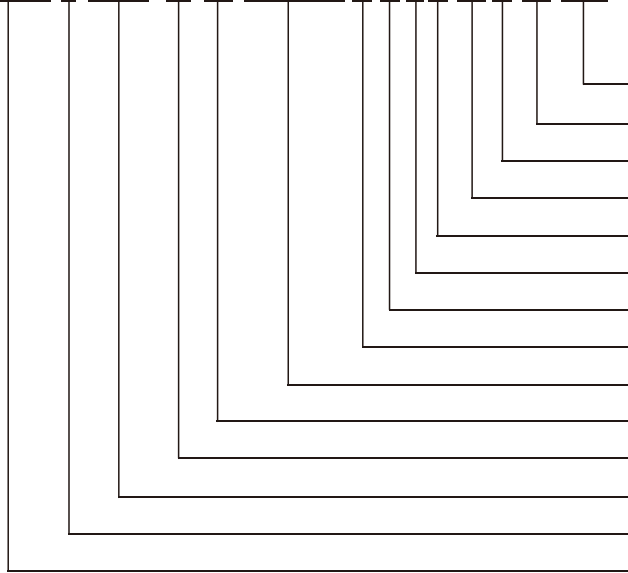
$$L=S+195 \quad (50 < S \leq 300)$$

Performance Data(12V)



Ordering Key

JC35N 0 0D02 12 12 100/198 V B 0 0 41 0 14 0D3



Cable length	0D3=0.3M
Plug and cable	0
Brake	0
Top clevis	41=No slot, aperture Ø4
End clevis material	0
End clevis	0
Color	B=Black
Mounting position	H=horizontal V=vertical
Stroke/Retracted length	100/198
Input voltage	12V
Speed at full load	12mm/s
Load capacity	20N
Optional feature	0 standard
Type	JC35N