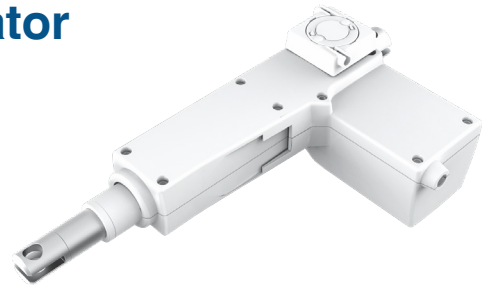


JC35B5-QH Linear Actuator

Application field - Medical Line

Preferably in medical bed, operating bed, massage chairs and other fields.

JC35B5-QH is a kind of quick release actuator with low noise and excellent self-locking force. It has following specifications: JC35B5-QH-3000N (push); JC35B5-QH-2000N (push). JC35B5-QH is characterized by large load capacity, excellent self-locking force, high IP grade(IPX4)and low noise.

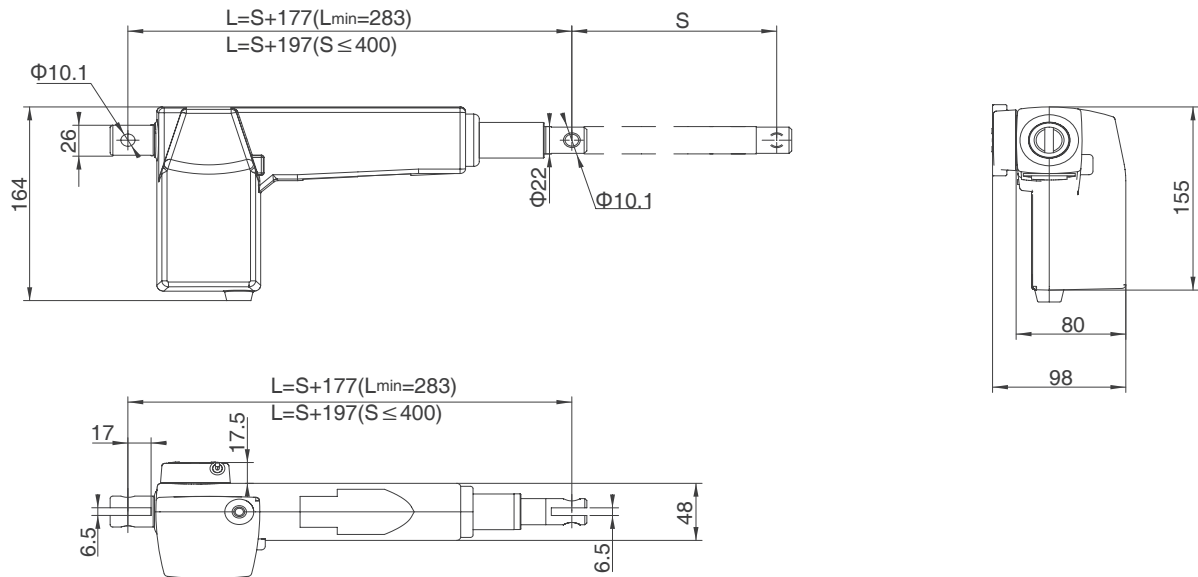


General Features

Load in push (N):	3000 2000
Stroke length:	3000N: 50-400mm (in steps of 4mm) 2000N: 50-400mm (in steps of 4mm)
Installation dimensions (mm):	$L=S+177$ ($50<S\leq 400$) $L_{min}=283$
Colour:	Grey / Black
Limit Switch:	Built-in (electrical)
Noise level:	$\leq 45\text{dB}$ (environmental noise $\leq 40\text{dB}$)
Weight:	About 2.3kg (different stroke length and installation dimensions with different weight)
Static bending moment:	Lateral load is not allowed
Duty cycle:	10%, max. 2min. continuous use
IP grade:	IPX4
Options:	Safety nut, Hall sensor, Reed switch Small signal function (match with JIECANG control box)
Standards:	EN60601-1: 2006+A1: 2013+A11: 2011+A12: 2014+A2: 2021 ANSI/AAMI ES60601-1:2005/(R)2012 and A1:2012, C1:2009/(R)2012 and A2:2010/(R)2012

Dimension Drawing

Top clevis F05, end clevis D

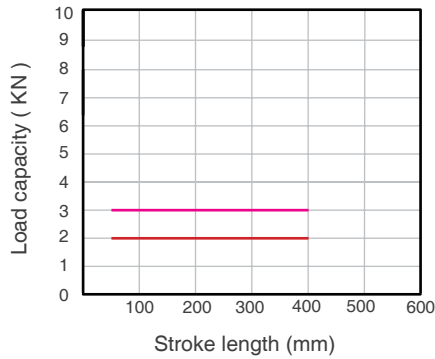


Technical parameters

Voltage (VDC)	Spindle pitch (mm)	Max. load in push (N)	Max. load in pull (N)	Mechanical self-lock (N)	Speed at no load/full load (mm/s)	Current at full load (A)
24	5	3000	3000	2000	6.7/5	≤3.3
24	5	2000	2000	2000	6.7/5.5	≤3
24	6	3000	2000	2000	7.0/5.5	≤3.8
29	5	3000	3000	2000	8/6	≤3.3
29	5	2000	2000	2000	8/6.6	≤3
29	6	3000	2000	2000	8.6/5.5	≤3.8

Remarks: It can achieve better self-locking ability with Jiecang control box;
 The above data is the standard value of the test data (inspection specification) at room temperature of 25°C .

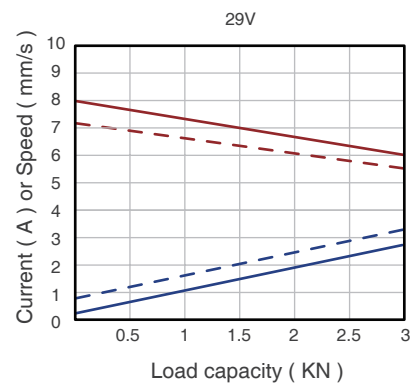
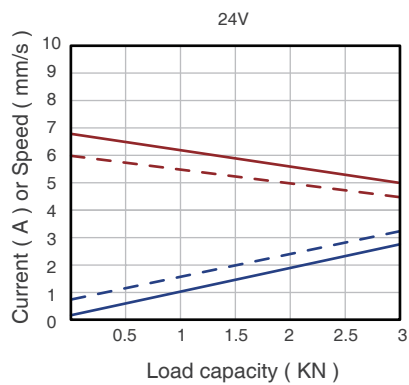
Stroke length versus load



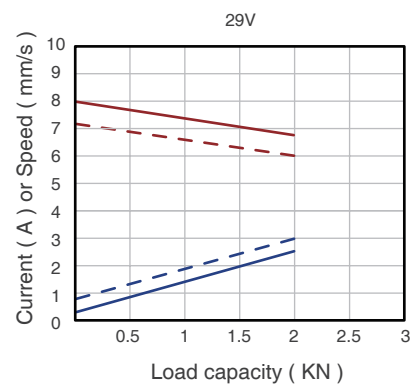
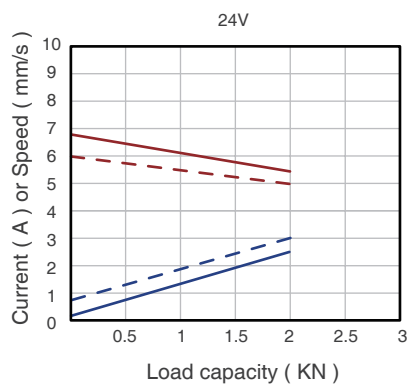
Characteristic

Typical speed ————
 Min. speed - - - - -
 Typical current ————
 Max. current - - - - -

3000N



2000N



Ordering Key

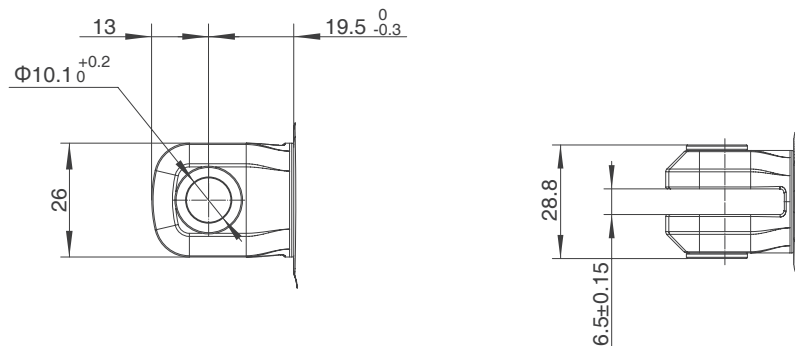
Take **JC35B5QH03524100/277VGDTF050021D5** for example

Model	JC35B5QH	
Optional features	X	0 = Standard / S = Safety nut / Y = Hall sensor / R = Reed switch
Load in push	X	3 = 3000N / 2 = 2000N
Speed at full load	X	5D5 = 5.5mm/s 5 = 5mm/s
Input voltage	XX	24 = 24VDC
Stroke length/ Installation dimension	XXX/XXX	Stroke length = XXX Retracted length = XXX
Clevis directions	X	H = H direction / V = V direction
Color	X	G = Grey / B=Black
End clevis specification	X	D = slot 6.5, the hole diameter is \varnothing 10.1,
End clevis material	X	T = Split steel end clevis
Top clevis specification	XX	F05: Slot width 6.5, slot depth 26, hole diameter 12.5 with \varnothing 24 aluminum tube with pull head gasket hole diameter 10.1; steel top clevis
Brake specification	X	0 = Standard
Type of plug and cable	XX	02 = 4 pin DIN plug and 2 pin straight cable 10 = 5 pin DIN plug and 6 pin straight cable
Cable length	XXX	0D5 = 0.5m / 2 = 2m

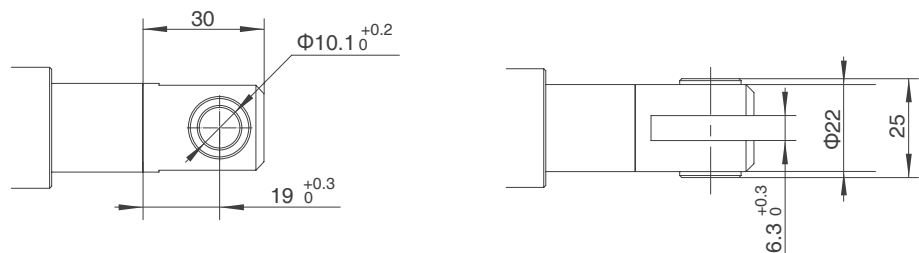
Ordering Details

Dimension drawing of clevis

End clevis: D



Top clevis: F05

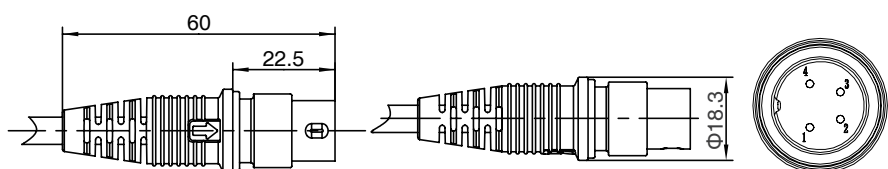


Motor wire

4-pin straight plug (standard)

Matching controller: JCB35Q/
JCB35T/ JCB35R/ JCB35R1/
JCB35S

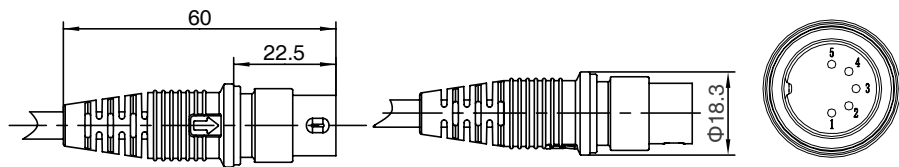
Pin	Color	Function
1	NC	Not connected
2	Brown	When positive voltage power on, actuator will go down
3	Blue	When positive voltage power on, actuator will go up
4	NC	Not connected
Outer ring	NC	Not connected



**5 pin DIN plug
(with Hall sensor)**

Matching controller: JCB35Q/
JCB35T/ JCB35R/ JCB35R1/
JCB35S

Pin	Color	Function
1	Red	5V
2	Brown	When positive voltage power on,actuator will go down
3	Black	GND
4	Blue	When positive voltage power on,actuator will go up
5	Yellow	Hall signal 1
Outer ring	Orange	Hall signal 2



Disclaimer and Exclusion of Liability

The user must determine the suitability of JIECANG products under specific conditions. JIECANG is committed to providing the latest product information. However, as JIECANG's product are constantly improving, it is possible to make changes to JIECANG's product without prior notice. Therefore, JIECANG cannot guarantee the correctness and authenticity of the product information. Although JIECANG will do its best to meet the order requirements, due to the above reasons, JIECANG cannot guarantee the delivery capacity of any specific product.

Therefore, JIECANG reserves the right to stop selling any products listed on the website or product catalog or other JIECANG written materials. All sales activities must be carried out in accordance with the requirements of JIECANG sales and Delivery Standard Clauses. For copies of relevant documents, please contact JIECANG.



Strictly abiding by medical safety certifications

Passed EMC tests. To ensure our products pass all kinds of tests domestic or abroad.



Communication protocol development

Aiming at different applications, develop more extensive functions for control system.



Professional customization

Powerful R&D strength, fully satisfy customers' needs. Development cycle is about 10 days, seizing more market opportunities



Intelligent Control of Bluetooth

Mobile phone as the remote, applying in home care. Market pioneer, Jiecang provides better choices



Wireless Communication

Controllers adopt high-frequency wireless system. It can avoid interference mixing with signal receivers, assisting in remote control over medical equipment.



Latest Weighing System

Designed for physiotherapy beds and medical care beds. Cantilever carrying weighing sensor, it is applicable to different bedsteads dispensing with any adjustment



Notes for mounting and usage can be found in the corresponding mounting manual