

Handset

JCHT35M20C



Datasheet

JCHT35M20C

- JCHTM20C is a handset embedded in the table top, the industry's first inductive operation mode, the user can adjust the height of the standing desk by pressing the table top. The surface of the handset is brushed, which can well suppress fingerprint residue. The memory position and sedentary reminder function enrich the user's interactive experience.



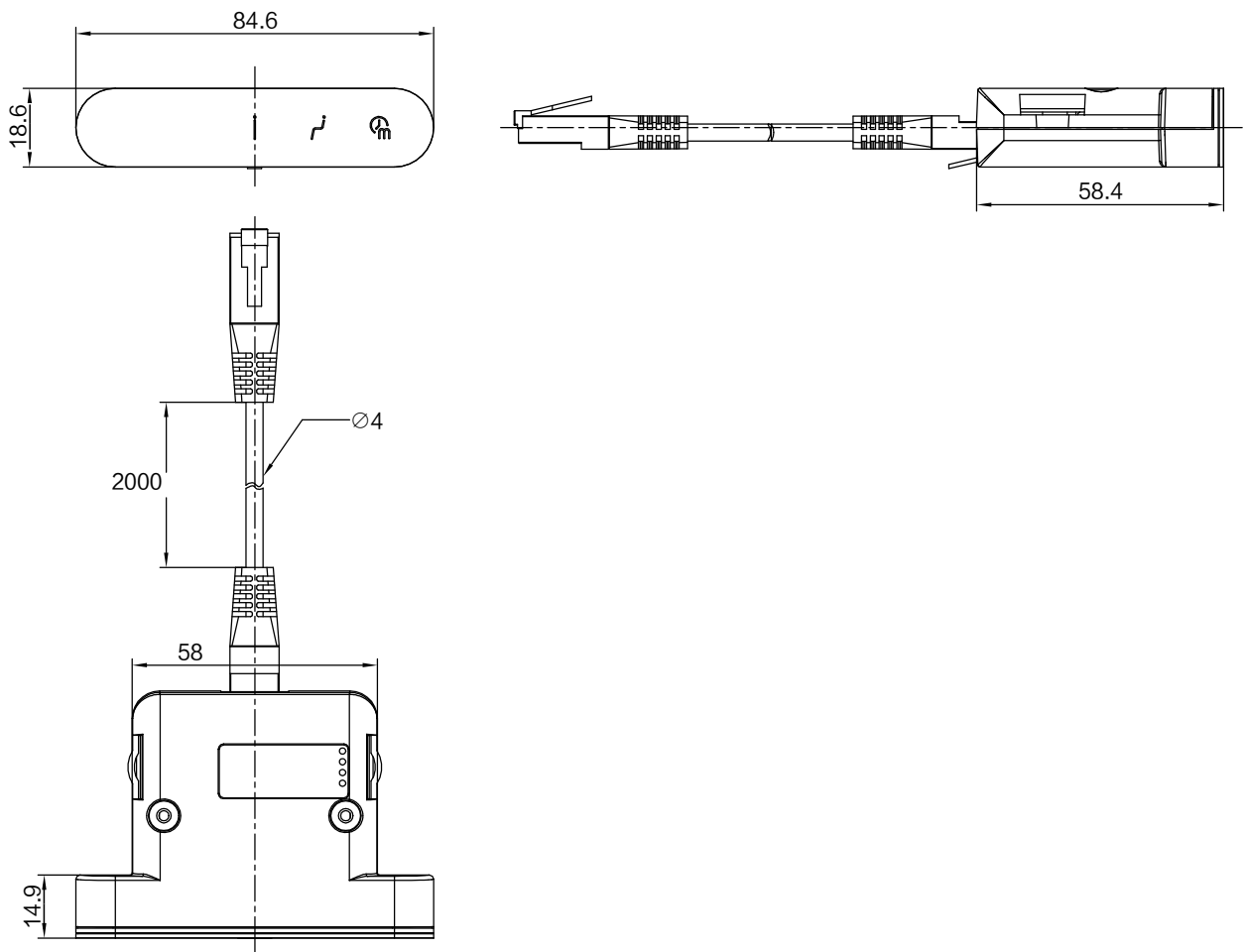
Features

- Press the table to control the lifting
- Surface drawing process, anti-fingerprint
- Has 2 memory locations
- Sedentary reminder function
- LED display
- Color: Silver, Black

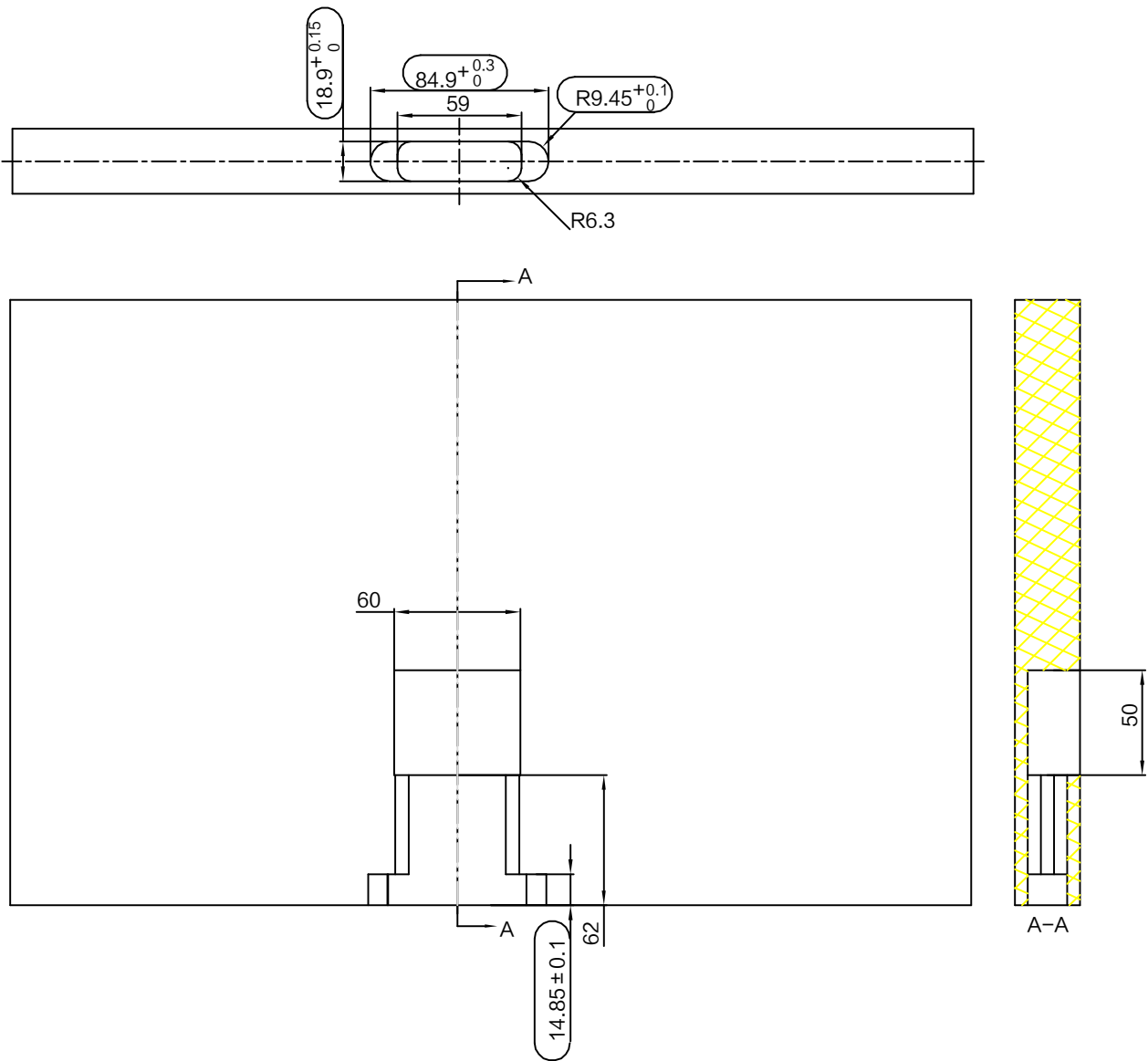
Usages

- Fit with control box: N series, NH series
- Working environment: Indoor
- Storage and transport temperature: -25°C~70°C

Dimensions



Installation drawing



Ordering Key

JCHT35M20 C- 2-01V1- B/03-10H-2D0-L/W- 1

