

Control Box JCB36M4



Data sheet

JCB36M4

- JCB36M4 control box has the characteristics of small size and light weight, supporting the use of adapters.
- Suitable for ODETTE small round tube lifting system.
- The control box has the loading and backing function to ensure the safe and stable operation of the lifting table.
- Slow start and slow stop, increase lifting buffer and enhance operation experience.



Features

- Number of control column: 4
- Power: 300W
- Color: Black
- House: ABS with screw holes
- Installing way: can be fixed on the table plate or on the frame
- The white plug is easy to recognize
- The power cord can be plugable, the 2-pin plug, the length can be customized
- Overload protection: set the limit value to avoid over burden motion
- Overheating protection
- Short-circuit protection

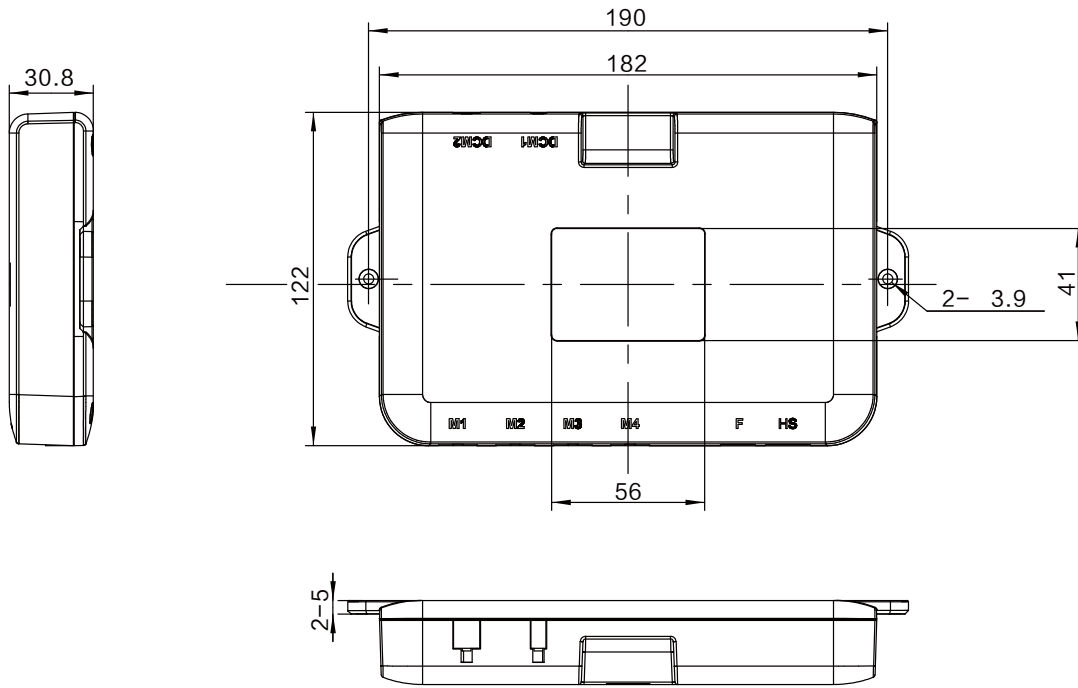
Option

- JCP35N-2.4G wireless receiver box
- JCP35N-BLT bluetooth receiver box
- JCP35U charging accessories

Usages

- Duty cycle: S2-20 min. Continuous work for most 2 minutes in a period of 20 minutes
- Ambient surrounding: Indoor
- Storage and transport temperature: $-25^{\circ}\text{C} \sim 70^{\circ}\text{C}$
- Supported DC 33V/2.5A Power Adapter (5557-4R plug)

Dimensions



Ordering Key

JCB36M4-2E8-6-Z2-3D0-450-700(730)

