
Wireless charger

JCP35WA-A



Data sheet

JCP35WA-A

- This product is a remote Qi wireless charger, which supports remote wireless charging for mobile phones or other devices.
- Between the table installation, avoid the second processing of the desktop, keep the desktop complete and simple.
- Charging distance ranges from 15mm to 35mm.
- This product output (wireless output/wired output) maximum power up to 10W.



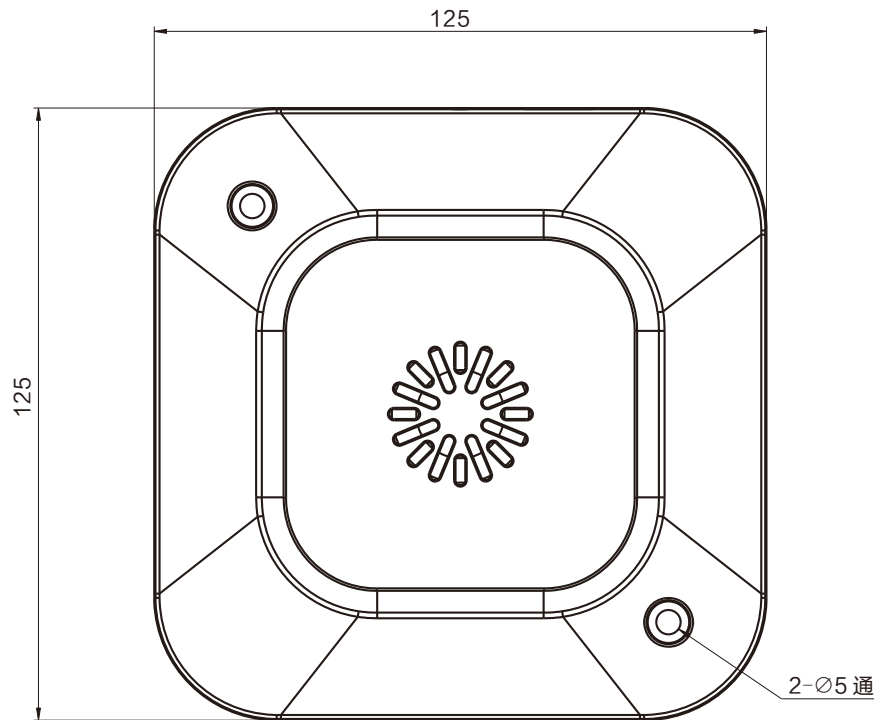
Features

- Rated Voltage Range: 22-40Vdc
- Rated Voltage: 24/33Vdc
- Charge Distance: 13mm-28mm
- Standby Power Consumption: <1W
- Rated Input Current: 0.4A_{dc} @25mm; 5W Load; 24V Input
- Efficiency: >50% @25mm; 5W Load; 24V Input
- Input Over-Current Protection
- Coil Over-Current Protection
- FOD Protection
- Over-Temperature Protection

Usage

- Temperature Rise: In rated input and output, ambient temperature of $23\pm 2^{\circ}\text{C}$, long time operation, the charger meets the relevant safety certification standards.
- Compatible with Jiecang control box: JCB35NS2; JCB36NH2
- Working environment: Indoor, Temperature: $0^{\circ}\text{C}\sim 35^{\circ}\text{C}$, Humidity: 10%~90%
- Storage and transport temperature: Temperature: $-20^{\circ}\text{C}\sim 80^{\circ}\text{C}$, Humidity: 5%~95%

Dimensions



Ordering Key

JCP35WA - G - 5/6 - 5V/2A - S3 - 4AU/16CU

