

# Power Adaptor JCP35PA-03



Data sheet

## Power Adaptor JCP35PA-03

- JCP35PA-03 is a new type of plug-in wall adapter which standby power consumption is less than 0.5W. With energy saving and environmental protection, and long service life features. The LED indicator could visually display power-on or abnormal status. The connection part of the adapter cable is more convenient to replace. The AC plug can be easily replaced, and the required plug can be replaced according to demand, which is convenient for customers to stock up.



---

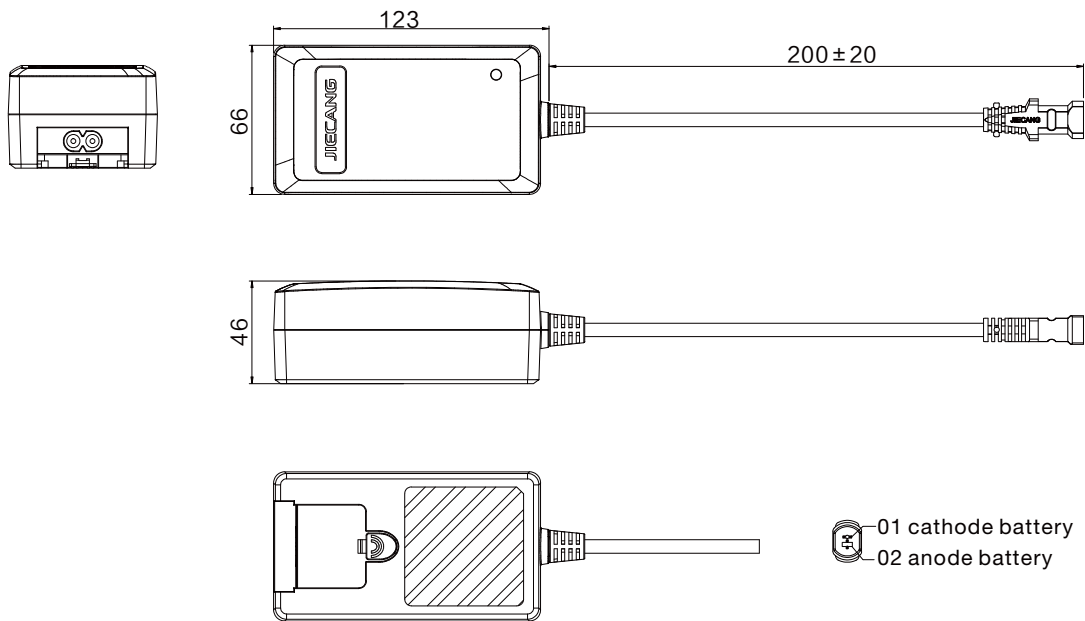
### Features

- Input voltage: 100-240VAC
- Input current: Max4.8A
- Input frequency: 50-60Hz
- Output voltage: 36VDC 2A(continuous load) or maximum 200W(duty cycle load)
- Stable output: current fluctuation is less than 300mA
- IP grade: Max. IP66
- Color: Black/Grey
- Protection mechanism: overheat, over current and short-circuit protections
- Duty cycle:10%, max. 2min.continuous working and 18 min. Off
- Standby power consumption: <0.5W
- Output plug type: 01 plug of waterproof
- Input plug type: plugs vary by region. The fees are almost same (certificates need to be considered)

### Usage

- Operating temperature: +5°C to +40°C
- Reserve temperature: -10°C to +50°C
- Operating humidity: 20% to 80%, non-condensing
- Atmospheric pressure: 860 to1060hPa
- Altitude: Max. 2000m
- Approval: IEC60601-1 edition 3.1  
EMC: IEC60601-1-2  
ANSI/AAMI ES60601-1  
CAN/CSA-C22.2 No. 60601-1:14

## Dimension drawing



## Plug



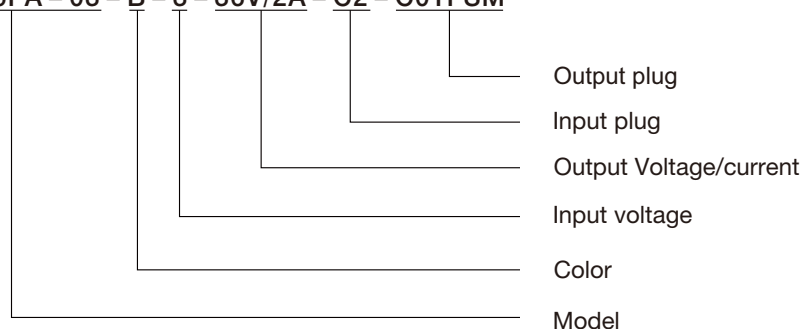
Attention: The AC plug of this adapter is separated from the charging part, the AC plug can be replaced. The IP grade can be up to IP66, which is convenient for customer products to export to different regions for stocking. Since the AC plug is molded by JIECANG, you must first confirm with the salesperson in the corresponding area before placing the order about whether there is a corresponding plug, and whether the corresponding certification is complete. If there is no required plug, you can contact the salesperson for custom development.

## Ordering Key

Model	JCP35PA-03	JCP35PA-03 Power adapter
Color	X	B=Black G=Grey
Input voltage	X	3=110VAC-240VAC
Output Voltage/current	XX	36V/2A
Input plug	XX	A2= Australia cord of 2 pin M2= American cord of 2 pin C2= European cord of 2 pin Z2= Chinese cord of 2 pin
Output plug	XX	C01FSM=01 plug of water-proof

## Naming regulation

**JCP35PA - 03 - B - 3 - 36V/2A - C2 - C01FSM**



## Disclaimer and Exclusion of Liability

The user must determine the suitability of JIECANG products under specific conditions. JIECANG is committed to providing accurate latest product information. However, due to JC's continuous improvement of its products, JC's products may not be notified in advance with frequently changes. Therefore, JIECANG cannot guarantee the correctness and authenticity of the product information. Although JIECANG will do our best to meet the order requirements, for the above reasons, JIECANG cannot guarantee the delivery ability of any specific product. Therefore, JIECANG reserves the right to stop selling any products listed on the website or product catalog or other JIECANG written materials. All sales activities must be carried out in accordance with the requirements of the JIECANG Sales and Delivery Standard Terms. For copies of related documents, please contact JIECANG.