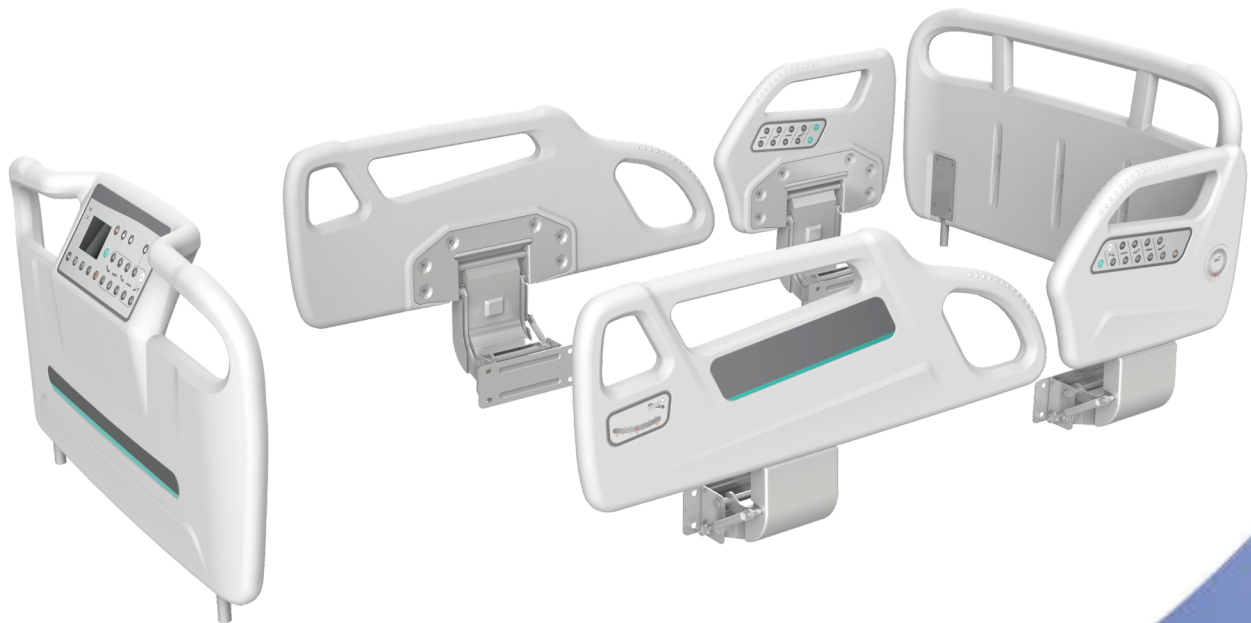


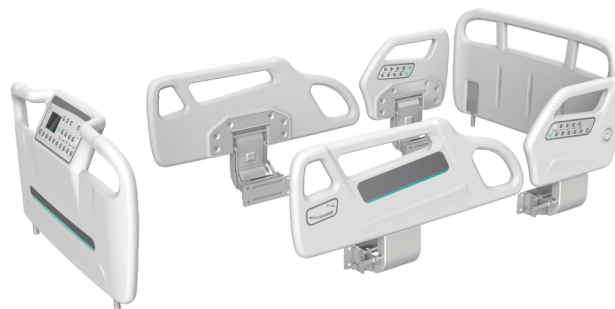
Bed side rail JCP35H09



Data sheet

Bed side rail JCP35H09

- The bed side rail is mainly used with medical beds for the treatment, rescue and transfer of patients in the intensive care unit (ICU) and general wards of hospitals, or for nursing home and home care. The bed side rail JCP35H09 is made up of Head board, Head left/right, Foot left/right and Foot board. Adopting imported PP material for overall blow molding, streamlined design, simple design concept, and comfortable use experience. ,Most of the parts of the novel style side rail bracket are made of steel, and it has passed the life test of over 30,000 up and down flips, with good strength and little shaking.



Features

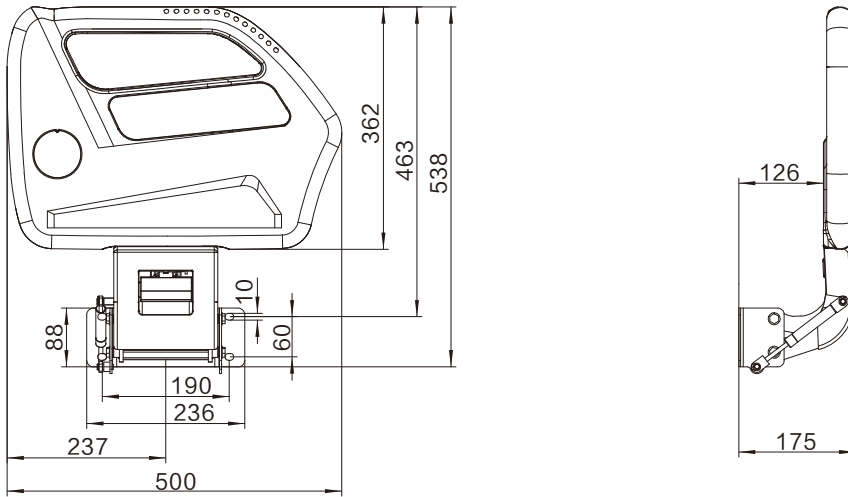
- The button of bed side rail: Max. 12 buttons outside. Max.10 buttons inside.
- The button of foot board: Max. 22 buttons.
- Display screen: No.3.5 inch and 7 inch totally 3 types are available.
The tilt angle of the foot board display is 32°.
It is convenient for nursing staff to operate
- Side rail rotation angle indication: Yes.
- Anti-slip bumps on the side rail gripper position: Yes
- Color: Gray
- Weight: 33.1kg
- IP Grade: IPX4
- Operation: Synchronous drive
- Installation: bed frame (The side rail can be quickly disassembled and assembled through screws , and the foot board could used by tube locking construction)

Usage

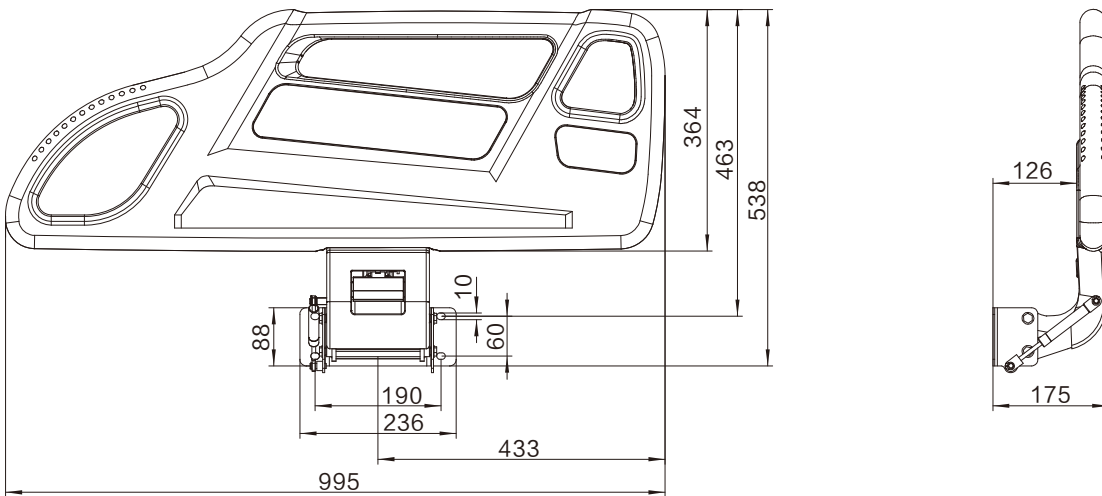
- Operating temperature: 5~40℃
- Storage temperature: -10~50℃
- Relative humidity: 20% - 80%, non condensing
- Atmospheric pressure: 860-1060hPa
- Altitude: Max 2000m

Dimensions

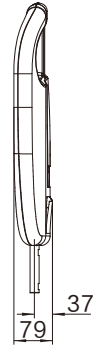
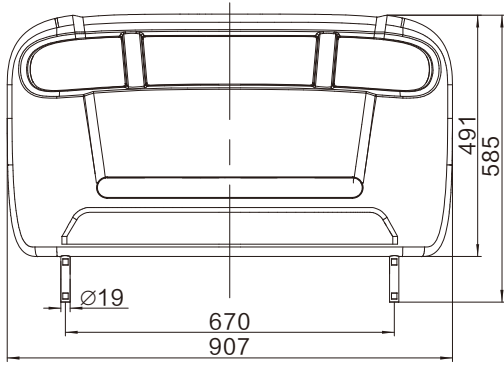
Head right



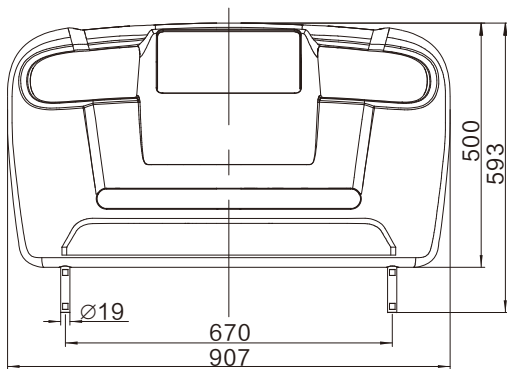
Foot right



Head board



Foot board

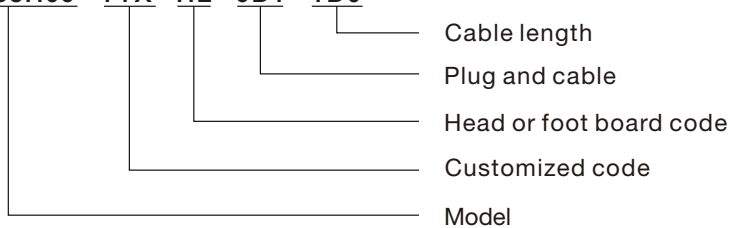


Ordering Key

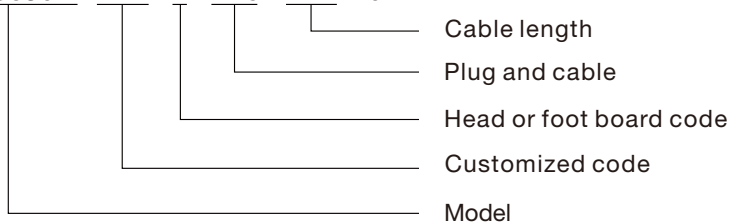
Model	JCP35H09 JCP35J02(Foot board) JCP35I02(Head board)	JCP35H series bed side rail
Customized code	XXX	SLZ=Jiecang standard CAN series bed side rail SDJ=Jiecang standard POWER series bed side rail TYX=Jiecang General type side rail/Head Foot
Head or foot board code	XX	HL=Head left HR=Head right FL=Foot left FR=Foot right F=Foot board H=Head board
Plug and cable	XXX	9D1=9pin DIN plug 13D1=13pin DIN plug coiled cable 10D1=10pin bending plug coiled cable
Cable length	XXX	1D0=1m

Naming regulation

JCP35H09 - TYX - HL - 9D1 - 1D0

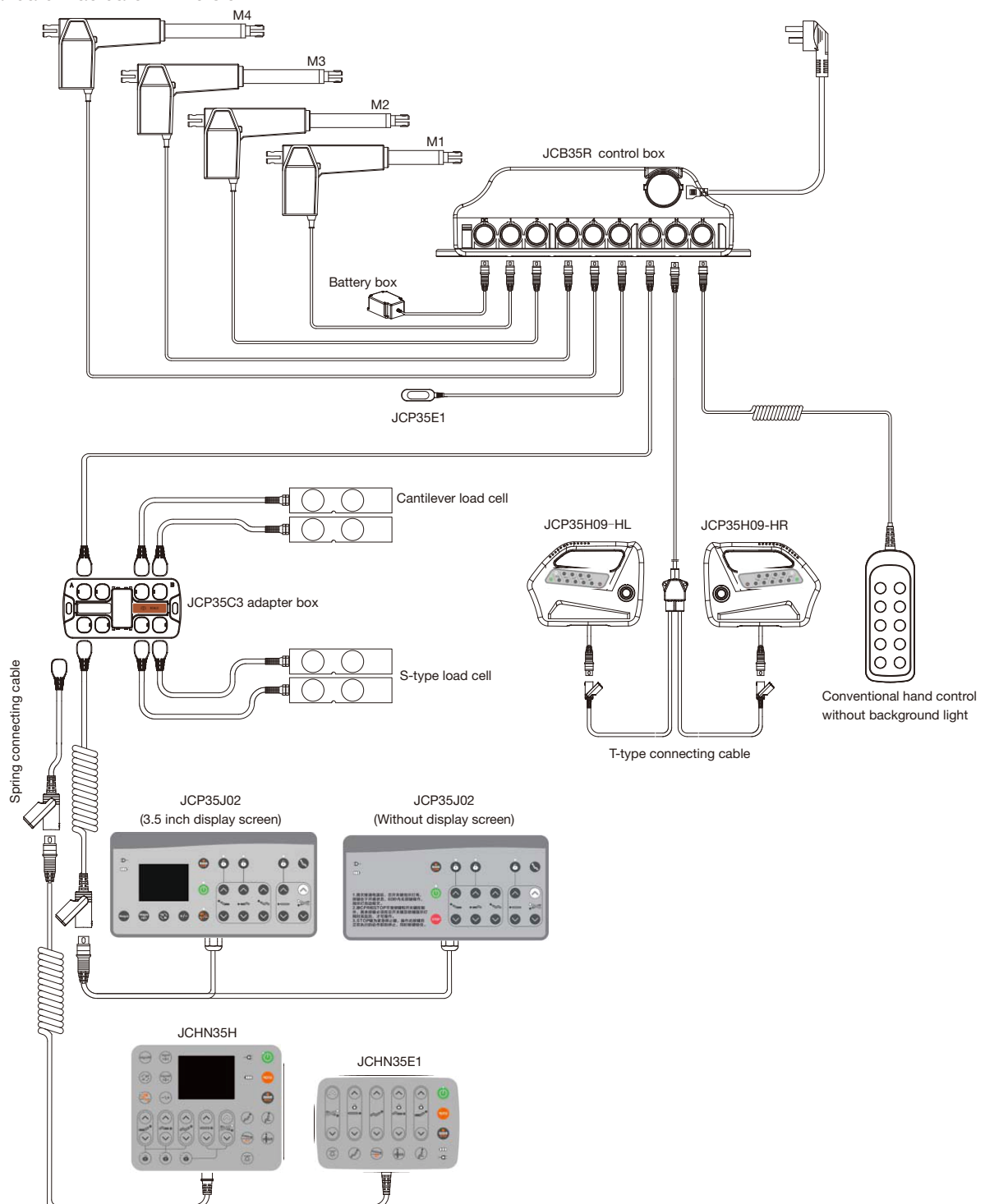


JCP35J02 - TYX - F - 5D1 - 1D0

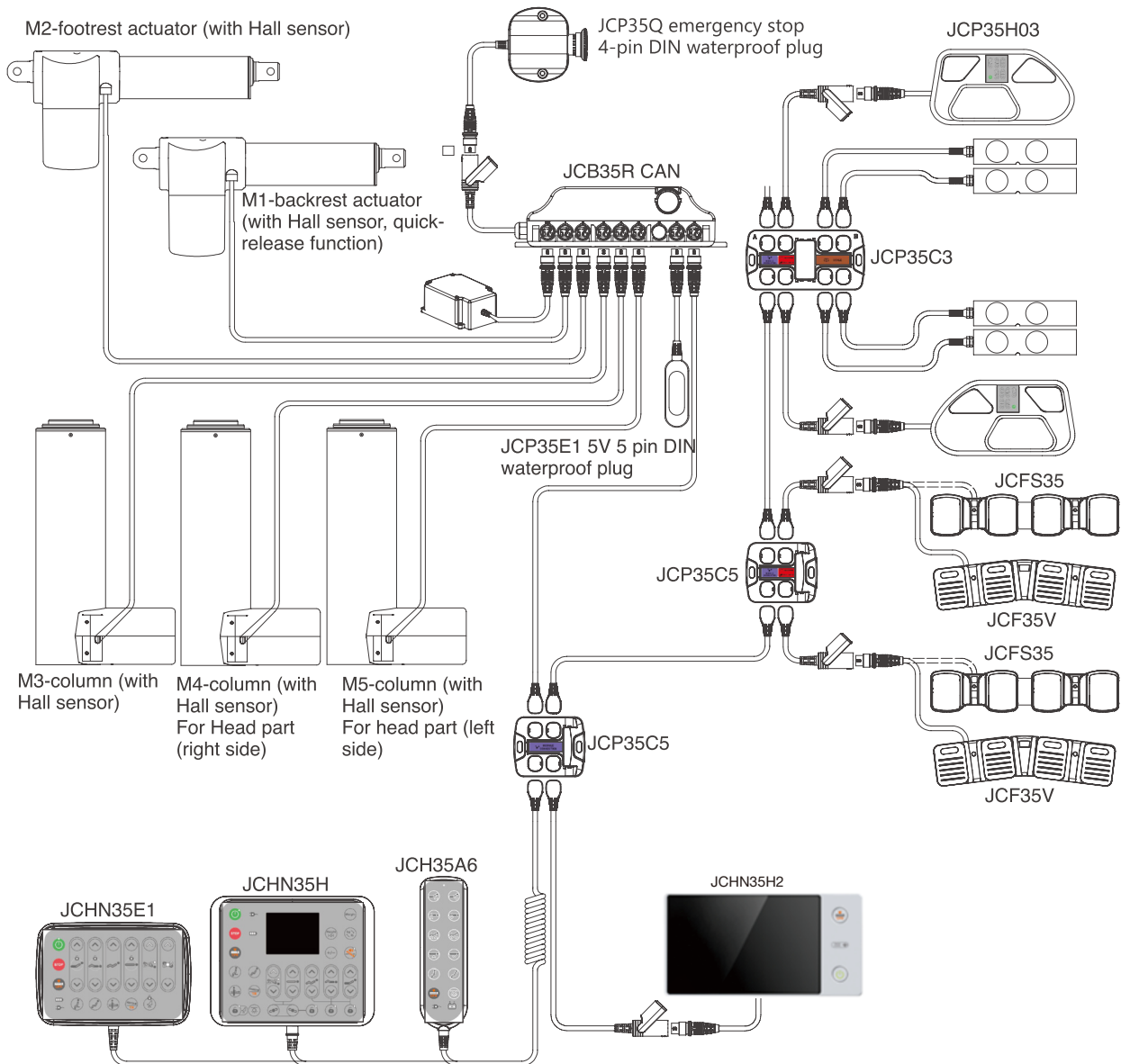


JCP35H09 bed side rail platform-system overview

Standard 4 actuator V4 version

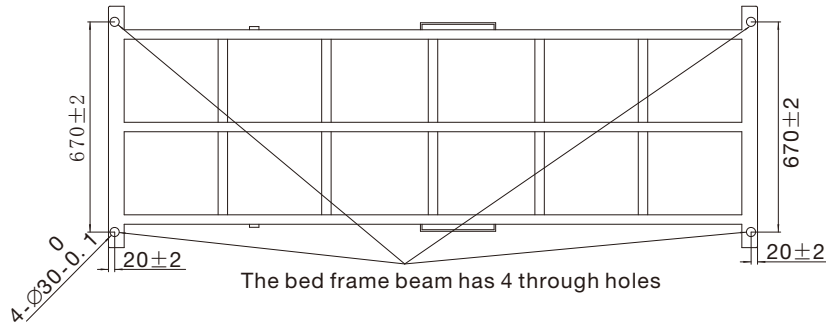


The bus system

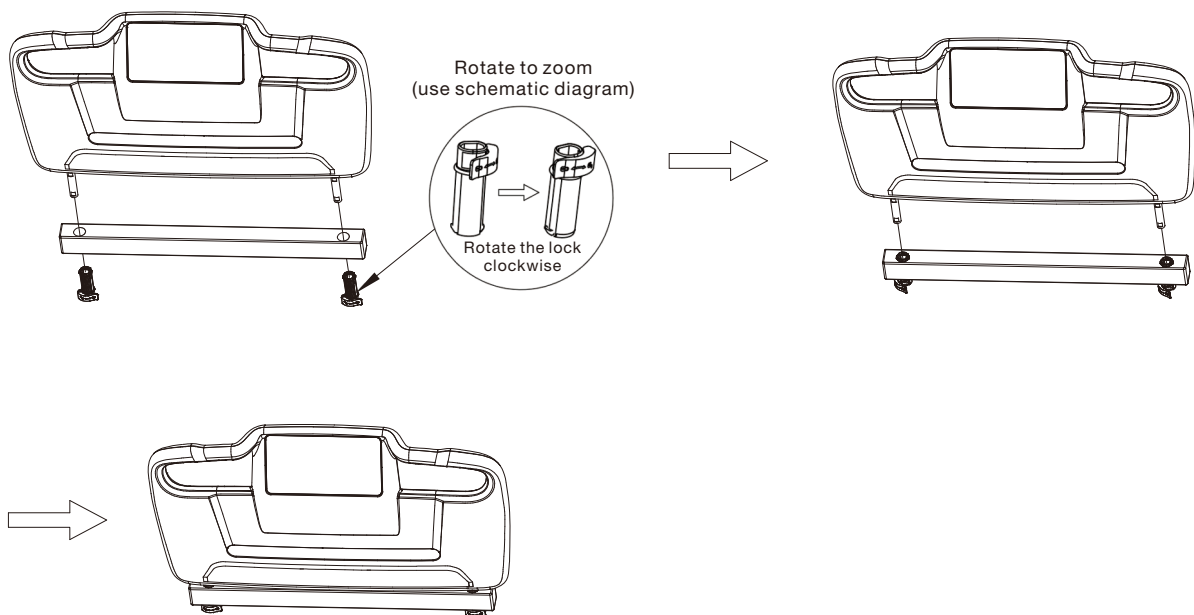


Installation method

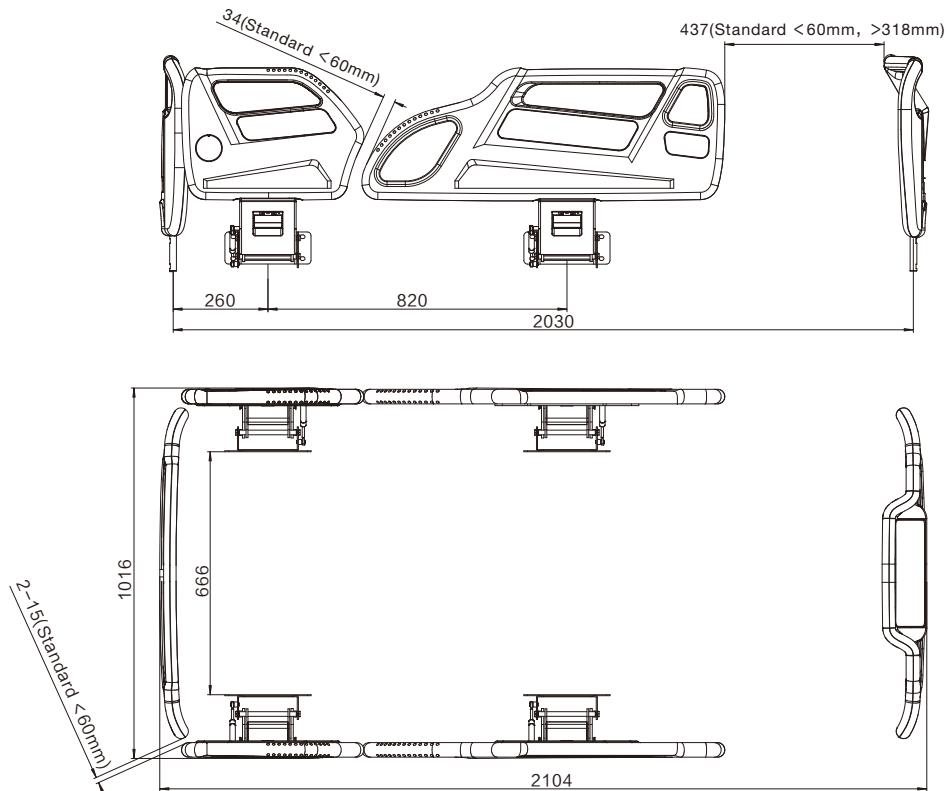
Schematic diagram of the bed frame installation head board/ foot board hole opening



Schematic diagram of installation of head/foot and intubation lock

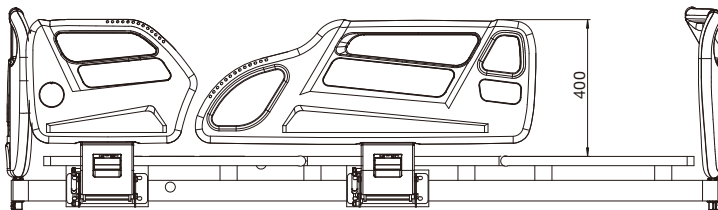


Schematic diagram of bed frame assembly size

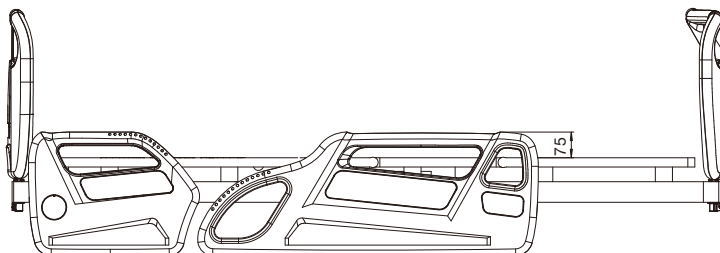


Remarks: All sizes are reference dimensions, and can be adjusted according to the size of the bed in actual, but they must be within the standard size range.

Side rail raised state



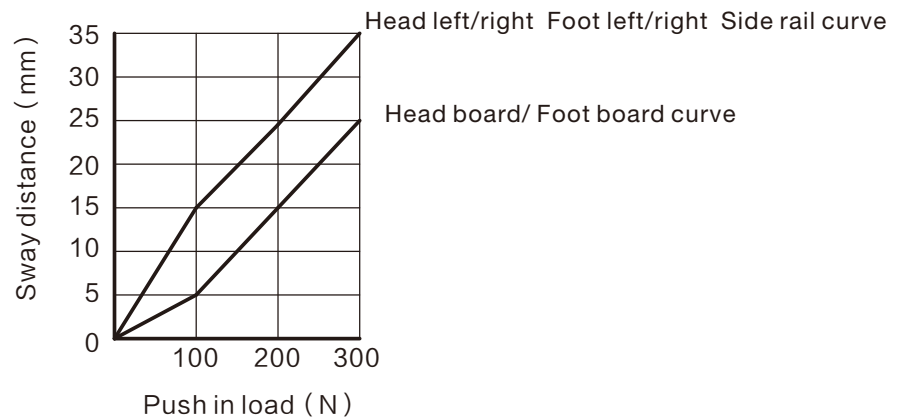
The side rail is turned down (the side rail is turned down 325mm)



Side rail Configuration table

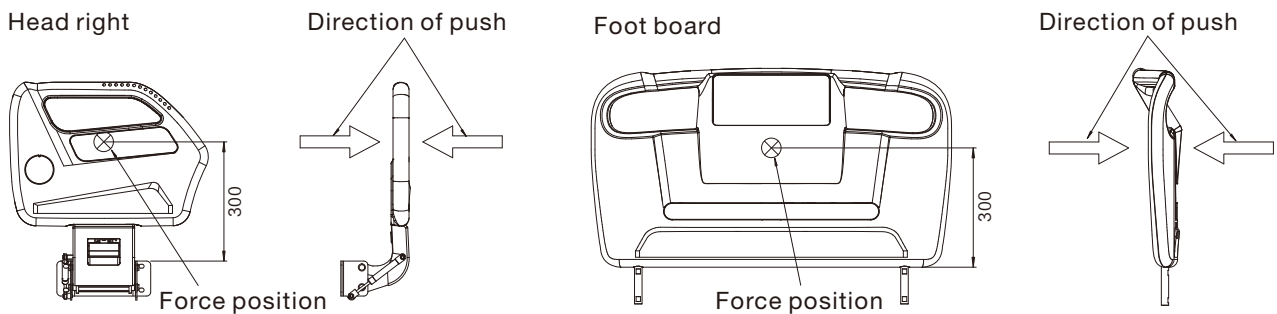
Parts		Head left		Head right		Foot left	Foot right	Head board	Foot board				
		With electronic parts	without electronic parts	With electronic parts	without electronic parts	/	/	/	3.5 Inch serial version	3.5 inch Bus version	Without screen serial version	without electronic parts	7inch display screen
Configuration 1	JCP35H09 Side rail (3.5 inch display screen+ Foot board serial version)	✓		✓		✓	✓	✓	✓				
Configuration 2	JCP35H09 Side rail (3.5 inch display screen+ Foot board bus version)	✓		✓		✓	✓	✓		✓			
Configuration 3	JCP35H09 Side rail (Without display screen+ Foot board serial version)	✓		✓		✓	✓	✓			✓		
Configuration 4	JCP35H09 Side rail (without electronic parts)		✓		✓	✓	✓	✓				✓	
Configuration 5	JCP35H09 Side rail (7inch display screen)	✓		✓		✓	✓	✓					✓

Side rail Intensity curve



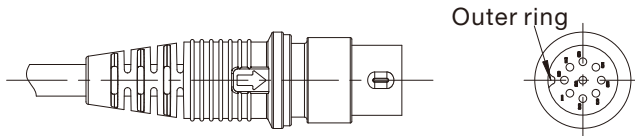
Relation diagram of sway distance after being thrust

Push (N) acting on the side rail 300mm away from the assembly position, and the swaying distance between the side rail and the foot board.

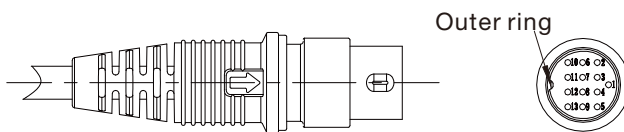


Plug code

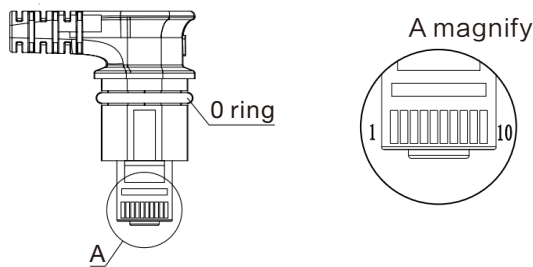
9pin DIN plug: straight cable: 9D1; Coiled: 9L1 (with Jiecang DIN plug Control Box)



13pin DIN plug: straight cable: 13D1; Coiled: 13L1 (with Jiecang DIN plug Control Box)



10pin bending plug: straight cable: 10H1; Coiled: 10H1
(with Jiecang bending plug series Control Box of JCB35T2, JCB35T3, JCB35T6)



Note: The number of matching Linear actuator is different, and the matching control box model is different, and the plug code will be different. Please contact the salesman in the corresponding area of Jiecang for confirmation before placing an order.

Conditions of Use

The user must determine the suitability of Jiecang products under specific conditions. Jiecang is committed to providing accurate latest product information. However, due to JC's continuous improvement of its products, JC's products may not be notified in advance with frequently changes . Therefore, Jiecang cannot guarantee the correctness and authenticity of the product information. Although Jiecang will do our best to meet the order requirements, but for the above reasons, Jiecang cannot guarantee the deliver ability of any specific product.

Therefore, Jiecang reserves the right to stop selling any products listed on the website or product catalog or other Jiecang written materials. All sales activities must be carried out in accordance with the requirements of the Jiecang Sales and Delivery Standard Terms. For copies of related documents, please contact Jiecang.