

Handset
JCHT35M6



Data sheet

JCHT35M6

- JCHT35M6 is an innovative touchable and rotatable handset, which is the perfect choice for office desks.
- The OLED can display LOGO and set sedentary reminder, the Upper & Lower limits and automatic locking. The rotation control of UP and DOWN with good operation feeling.
- It has 3 memory positions and matches with series of JIECANG JCB35N control box to control all kinds of adjustable desk. JCHT35M6 can be installed in various types of height adjustable desks, making easy use of rotating to control desk lifting.
- As an end-user service, the JCHT35M6 can show error codes and helps to analysis possible failures in the system.



Features

- Variable rotating operation
- Aluminum alloy metal appearance
- OLED displays
- Rich setting interface, such as sedentary reminder, lock function, upper&lower limits and optional vibration modes
- Three memory buttons
- Notify Vibrate
- Patent product

Option

- The color of Aluminum alloy metal appearance is white or golden
- The LOGO of start-up and standby
- Customized functions

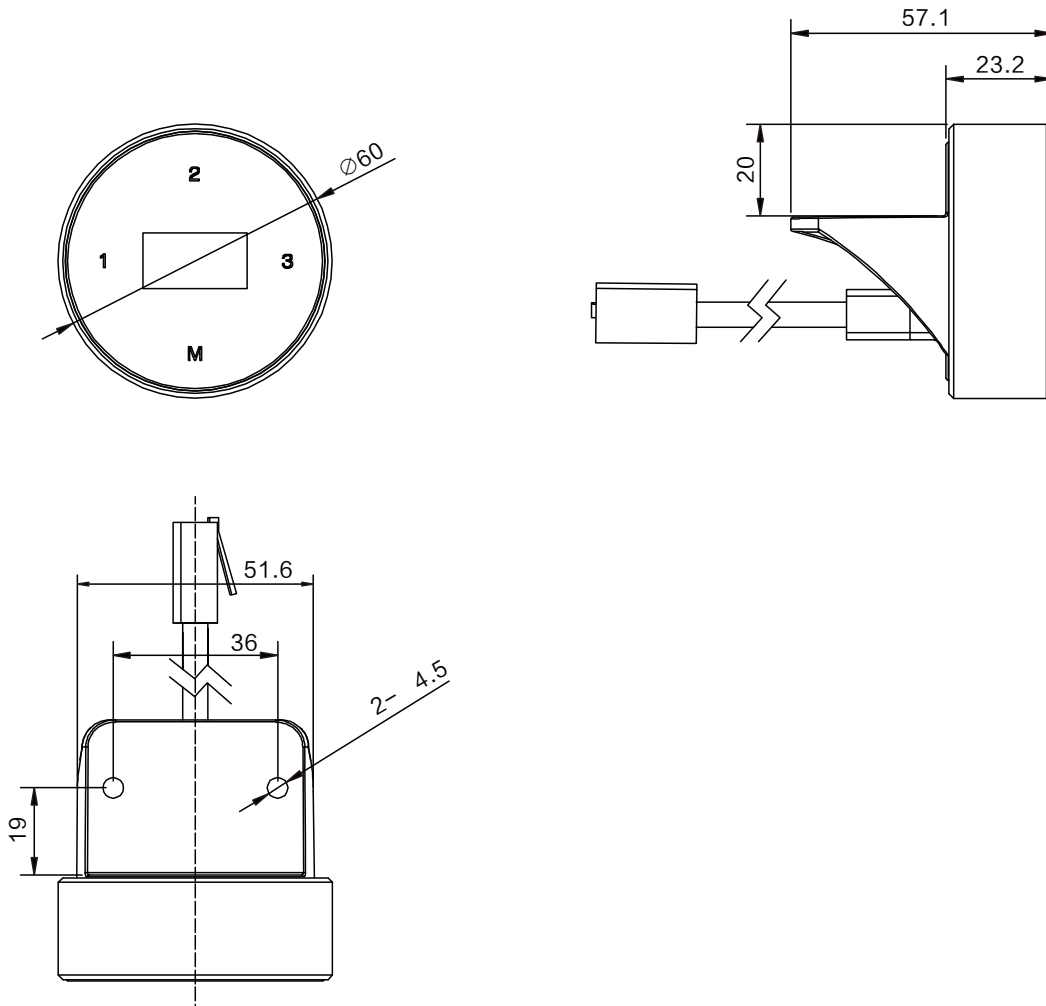
Usage

- Fit with control box: JCB35N; JCB35N1/ JCB36N1; JCB35N2/ JCB36N2; JCB35N3/ JCB36N3;
JCB35N4/JCB36N4; JCB35M/ JCB36M; JCB35NS1/JCB36NS1/JCB35NS2/ JCB36NS2
- Working environment: Indoor
- Storage and transport temperature: -25℃~ 70℃
- Relative humidity: RH40%-95%

Technical specifications

- Rotation angle $\leq 35^\circ$

Dimensions



Installation Instruction

