

# JCHT35M33

A series of handset



TECHNOLOGY  
DRIVES INTELLIGENT LIFE

## Data sheet

# JCHT35M33

- JCHT35M33 is a patch handset, made of leather, with good skin-friendly touch. It has the following series:  
JCHT35M33A: Up&Down Buttons  
JCHT35M33C: Up&Down Buttons and memory function
- Standard model adapts to 25mm thickness table.
- Double-click the handset trigger function, effectively prevent accidental touch.



---

### Features

- Leather material
- Patented product
- Touch control method

### Usage

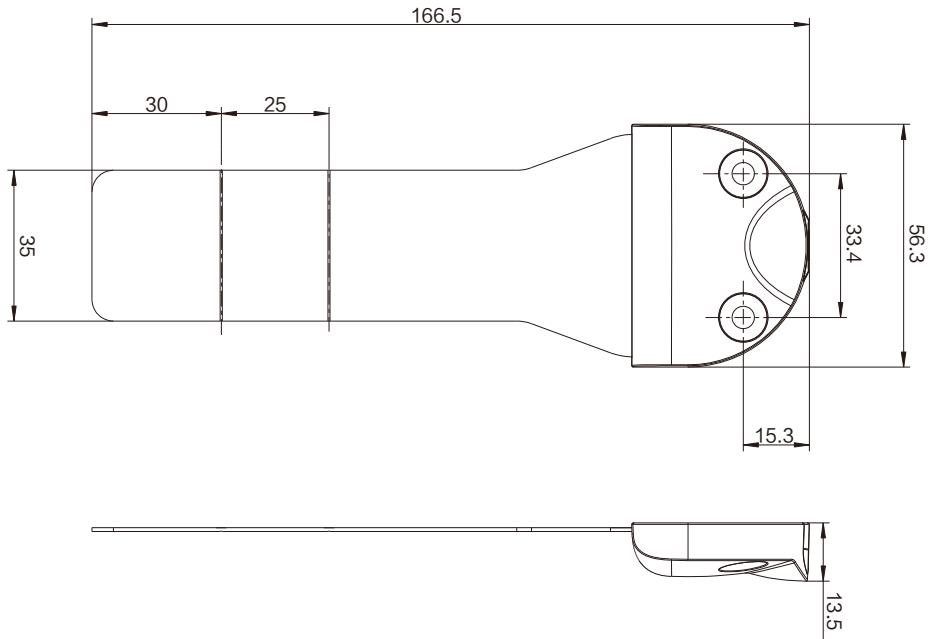
- Supporting conventional control box such as JCB35N series
- Working environment: Indoor
- Storage and transport temperature:  $-25^{\circ}\text{C} \sim 70^{\circ}\text{C}$
- Relative humidity RH40%-95%

### Options

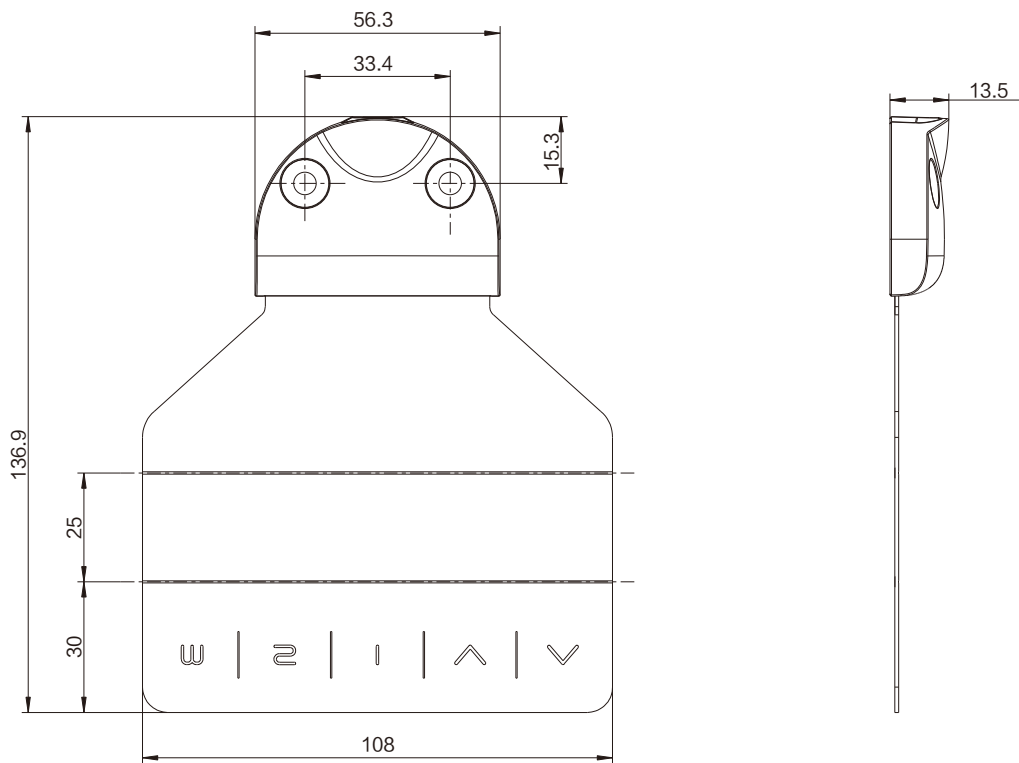
- The side of the handset accepts customer logo customization
- The size of the handset can be customized according to the thickness of the table
- Customizable leather size, number of buttons, functions, etc.

## Dimensions

JCHT35M33A

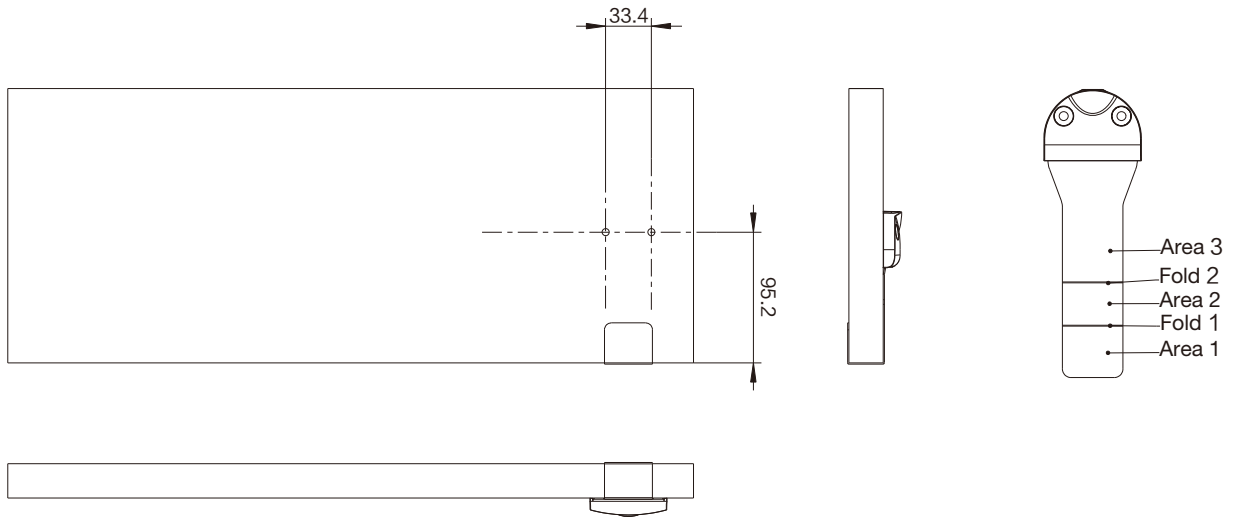


JCHT35M33C

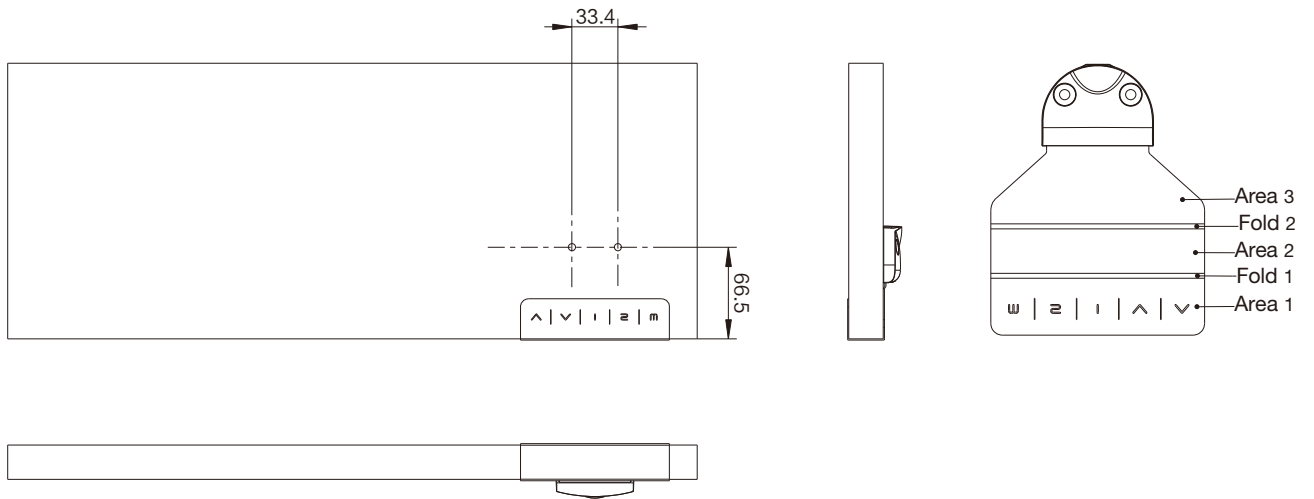


## Installation Diagram

JCHT35M33A



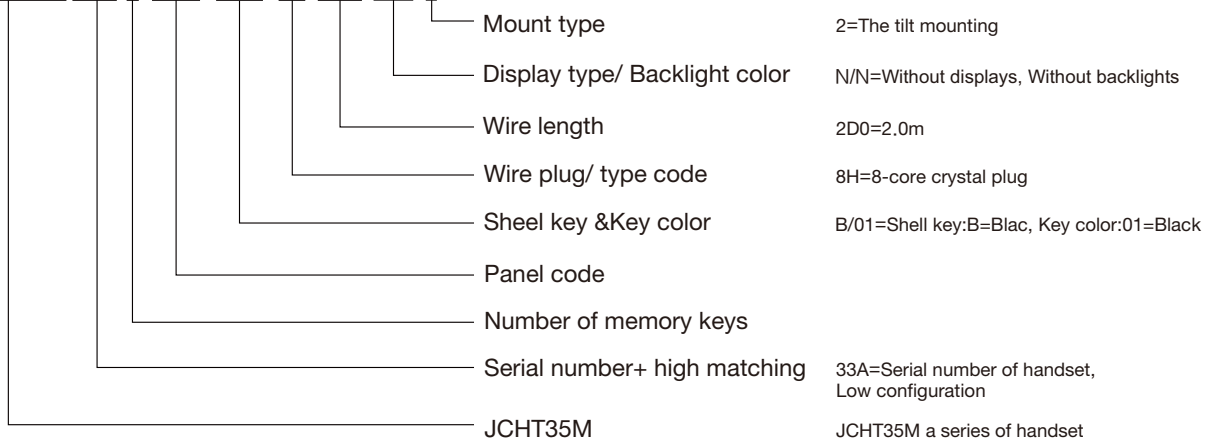
JCHT35M33C



## Ordering key

### JCHT35M33A

JCHT35M 33A-0-01V1-B/01-8H-2D0-N/N-2



### JCHT35M33C

JCHT35M 33C-2-01V2-B/01-8H-2D0-N/N-2

