
Handset

JCHT35M13



Data sheet

JCHT35M13

JCHT35M13 is the upgraded touch button hand controller of JCHT35K11. With sensitive touch effect and fast response, matching with series of JIECANG JCB35N control box to operate all kinds of adjustable desk. 90 or 34 degree mounting angle installation for more visual effects. JCHT35M13 has 3 memory buttons to achieve one-key lifting. LED screen always



JCHT35M13-90°



JCHT35M13-34°

Features

- 3 Memory Buttons
- Black
- Touch Screen
- 90 or 34 degree mounting angle

Option

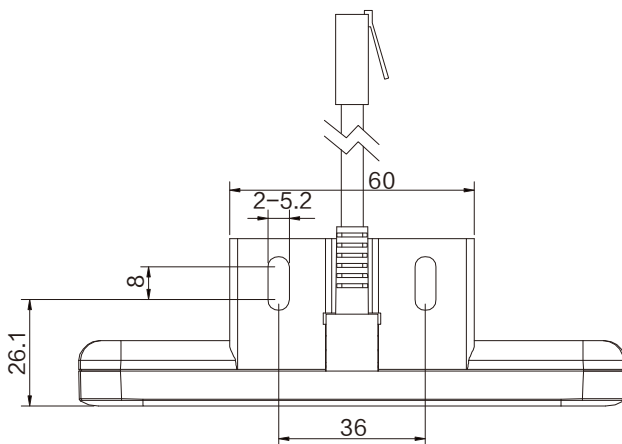
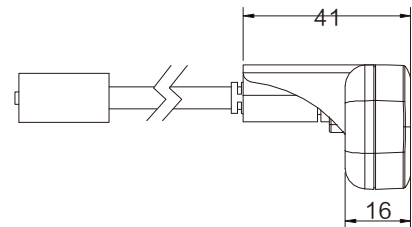
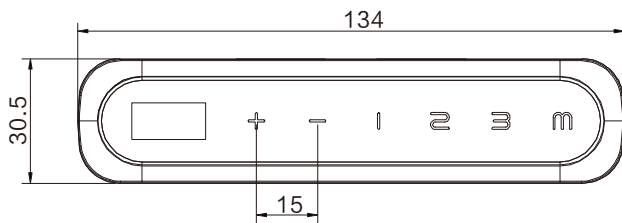
- Customized colours

Usages

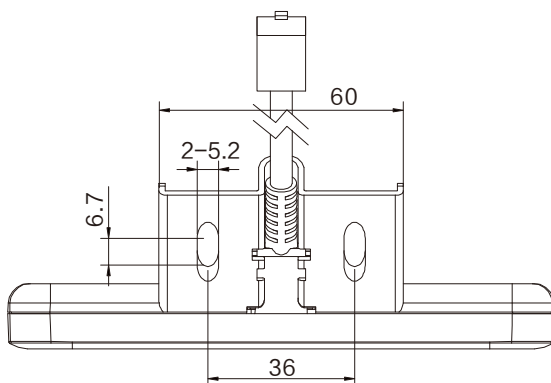
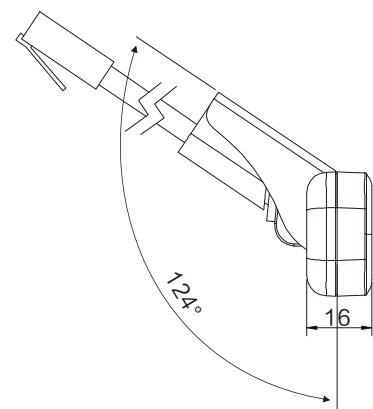
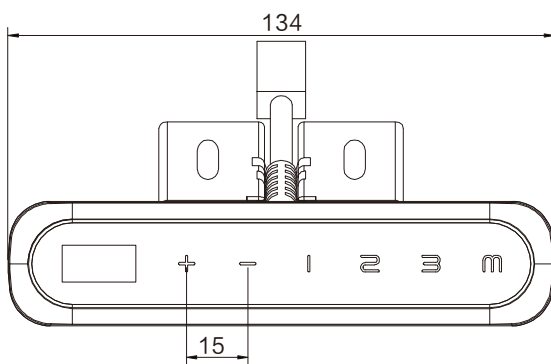
- Fit with control box: JCB35N1/ JCB36N1; JCB35N2/ JCB36N2; JCB35N3/ JCB36N3;
JCB35N4/JCB36N4; JCB35M/ JCB36M; JCB35NS1; JCB35NS2
- Working environment: Indoor
- Storage and transport temperature: -25°C~70°C
- Relative humidity: RH40%-95%

Dimensions

- JCHT35M13-90°

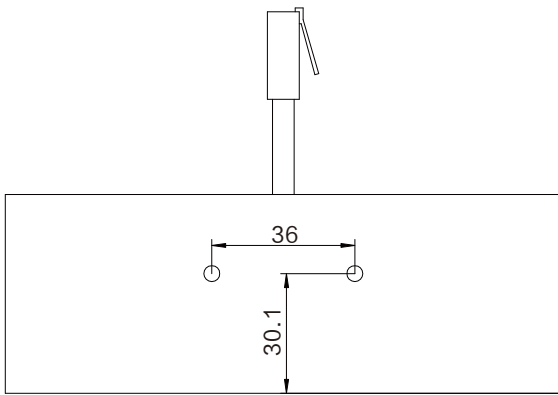
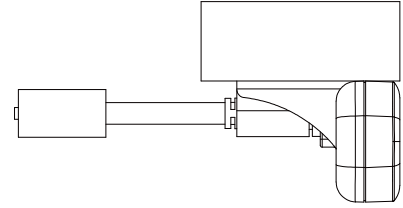
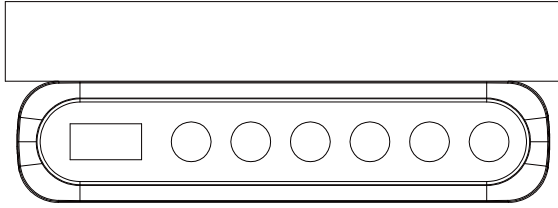


- JCHT35M13-34°

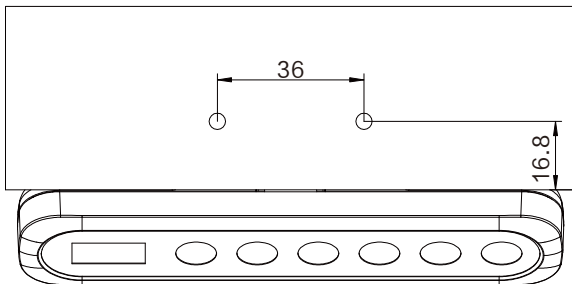
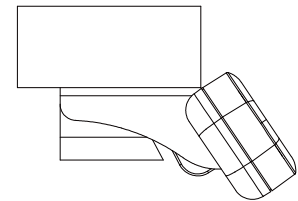
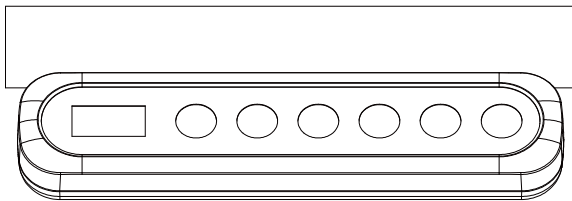


Installation Instruction

- JCHT35M13-90°



- JCHT35M13-34°



Ordering Key

JCHT35M13 C - 3 - V5 - B/01 - H - 2D0 - O/W - 1

