

Handset

JCHT35K52C



Data sheet

JCHT35K52C

- JCHT35K52C is a button handset, which operates like a keyboard. Its overall shell and keys are white, and the surface is frosted to improve the touch of the operation. The handset chooses the buttons of the black axis, which feels stable and quiet, and the buttons support DIY. 7 kinds of lighting modes enhance the display effect of the appearance and bring a new operating experience to people.



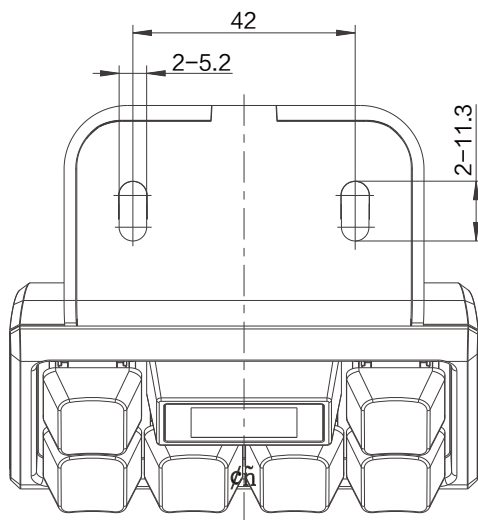
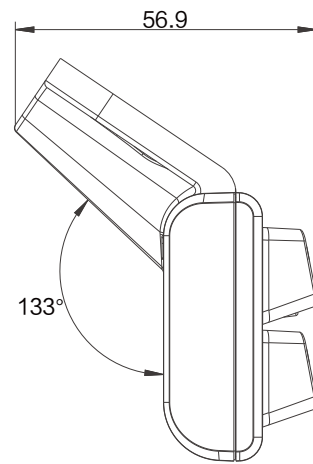
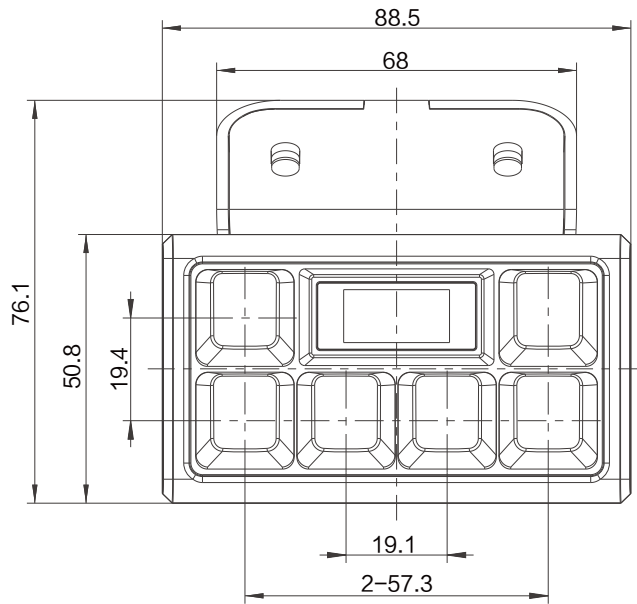
Features

- LED display, with up and down buttons, two memory buttons and a light button
- Keyboard-like operation
- Adjustable lighting with 7 modes
- DIY keycaps, shapes and characters can be changed according to hobbies
- Black axis buttons, strong and quiet operation, suitable for office

Usages

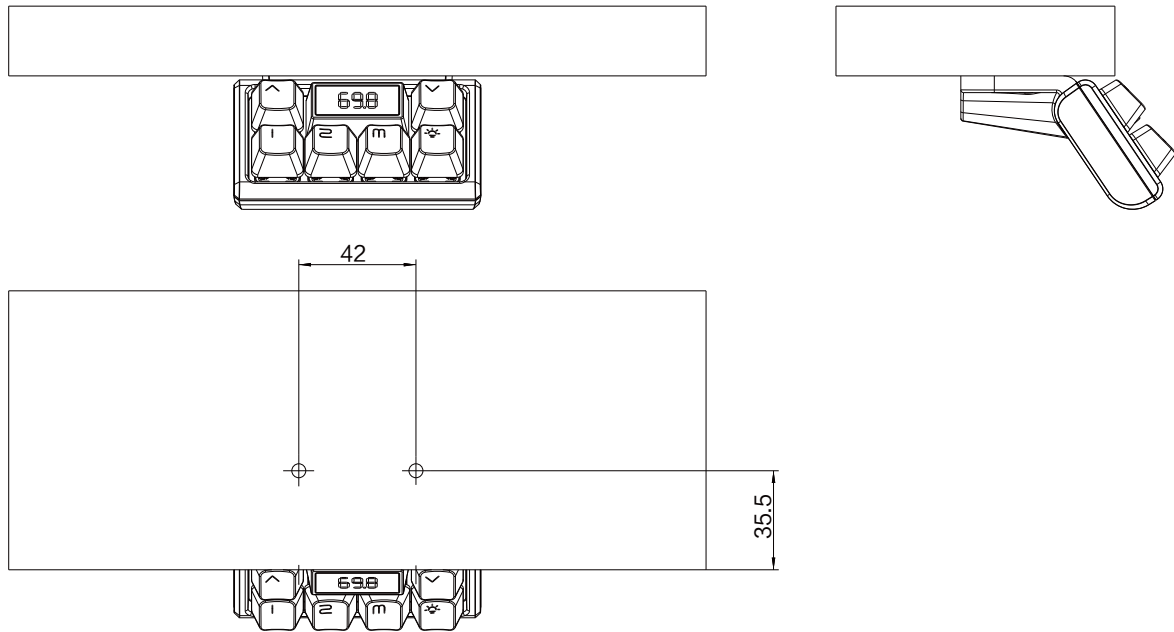
- Fit with control box: N series, NS series, NH series
- Working environment: Indoor
- Storage and transport temperature: -25°C~70°C

Dimensions

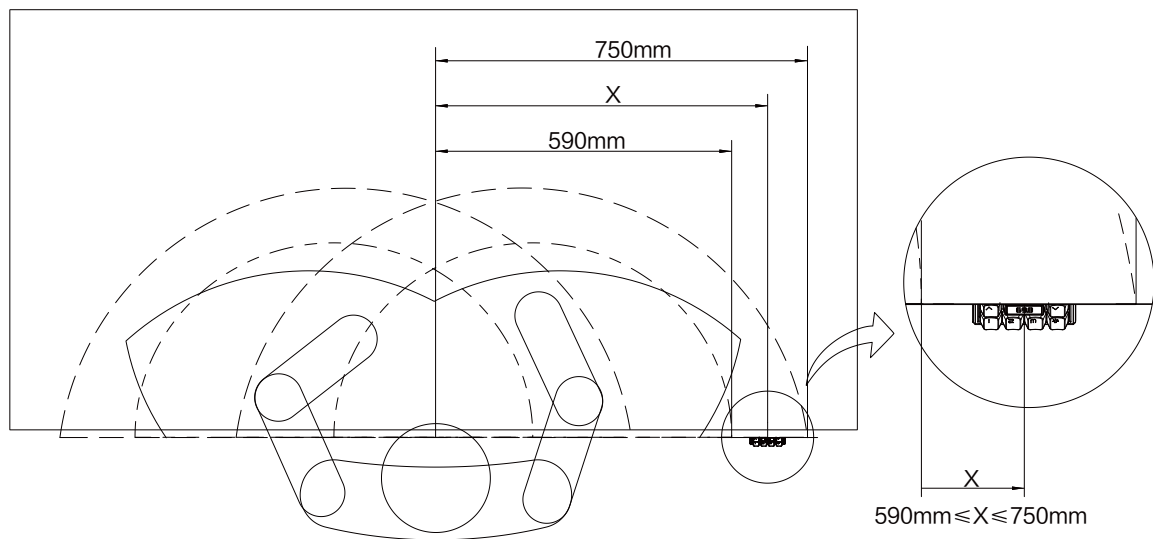


Installation drawing

Drawing (1)



Drawing (2)



Ordering Key

JCHT35K52 C-0-01V1-B/01-8H-2D0-N/N-1

