
JCHT35K50

A series of handset



Data sheet

JCHT35K50A/B/C



JCHT35K50A



JCHT35K50B



JCHT35K50C

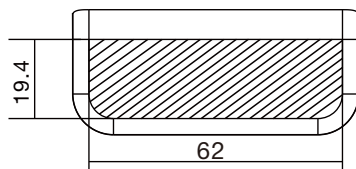
- JCHT35K50 is an exquisite handset, which is operated by tilting. It has the following series:
 - JCHT35K50A: Operate by tilting for up and down, indicator lights
 - JCHT35K50B: Operate by tilting for up and down, LED displays, Indicator lights
 - JCHT35K50C: Operate by tilting for up and down, OLED displays, 2 Memory locations, Sedentary reminder, Child lock function, Low power consumption

Features

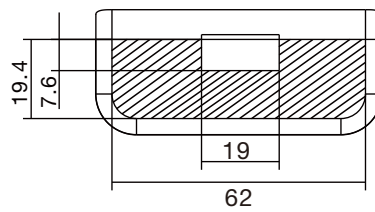
- Exquisite appearance
- Patented product
- Footed tosses control the rise and fall

Options

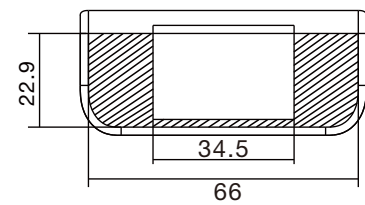
- Accept customer LOGO customization



JCHT35K50A



JCHT35K50B



JCHT35K50C

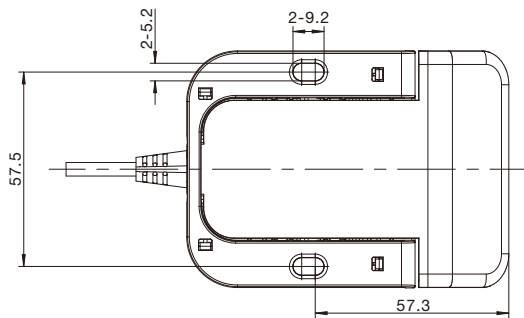
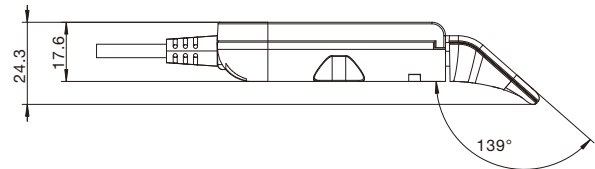
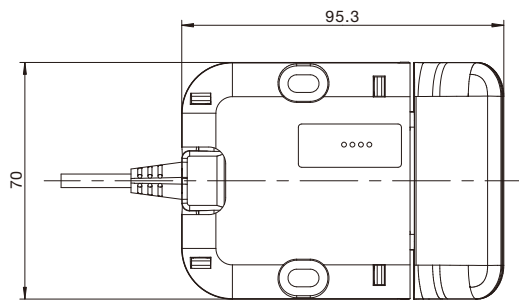
Please note: The shaded area is a customized logo area /PC OLED screen supports customized logo.

Usages

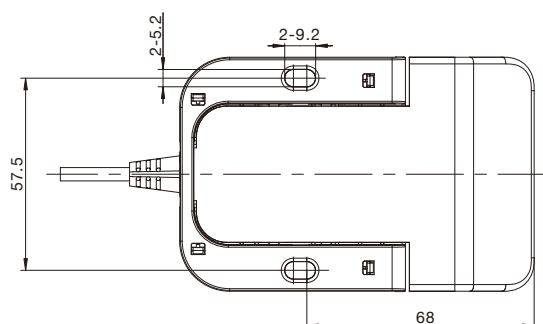
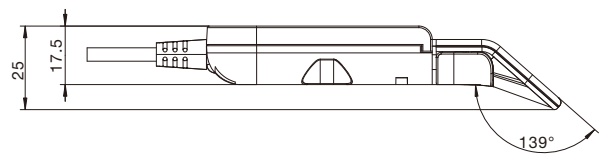
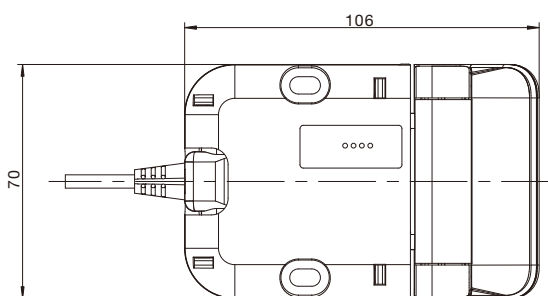
- Fit with control box: JCB35N; JCB35N1/ JCB36N1; JCB35N2/ JCB36N2; JCB35N3/ JCB36N3; JCB36N4; JCB35M/ JCB36M; JCB35NS1/JCB36NS1/JCB35NS2/ JCB36NS2; JCB35NH2
- Working environment: Indoor
- Storage and transport temperature: -25°C + 70°C
- Relative humidity: RH40%-95%

Dimensions

JCHT35K50A/B

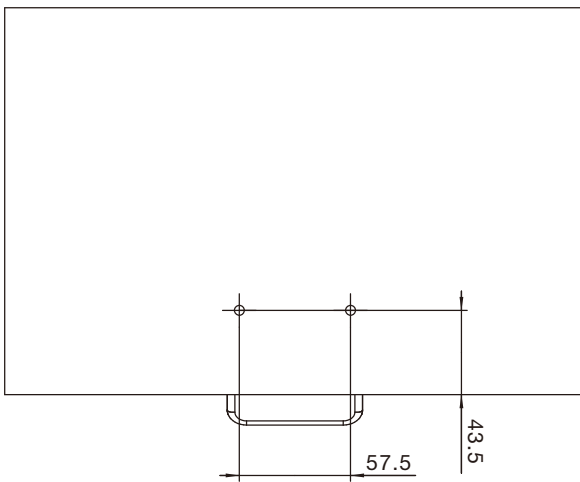
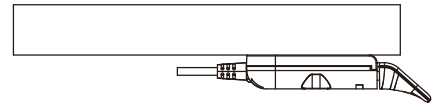
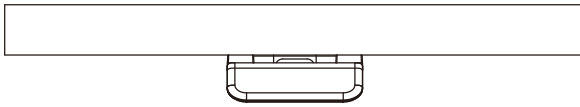


JCHT35K50C

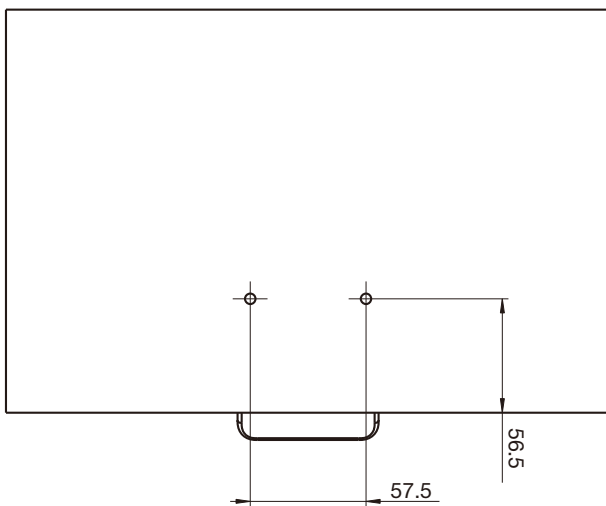
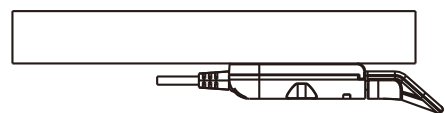
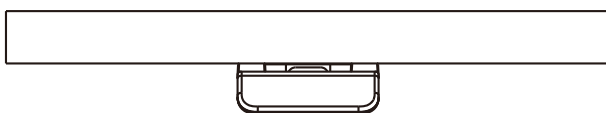


Installation Instruction

JCHT35K50A/B



JCHT35K50C



Ordering key

JCHT35K	50C	- 2 -	01V1	- B/01 -	8H	- 2D0 -	O/W	- 1		
									Mount type	01=Tilt mounting (With the Angle)
									Display type&Backlight color	Display type: O=OLED Backlight color: W=White
									Wire length	2D0=2.0m
									Wire plug/type code	8H=8 core crystal plug
									Shell key&Key color	Shell key: B=Black G=White S=Gray Key color: 01=Black 02=Green 03=Gray
									Panel code	
									Number of memory keys	2
									Serial number + high matching	50C= Serial number + High configuration (up and down button + display + memory)
									Type	JCHT35K50 Series