
Handset

JCHT35K32C



TECHNOLOGY
DRIVES INTELLIGENT LIFE

Data sheet

JCHT35K32C

- JCHT35K32C is a advanced configuration, round, top mounted handset.
- IPX4 waterproof rating, protect the front of the handset from water.
- The ultimate touch of silicone buttons.
- Can be widely used at home, offices and commercial environments.



Features

- Silicone button
- Front IPX4 water-proof
- Top mounted
- 3 Memory buttons
- LED displays

Option

- Customized LOGO

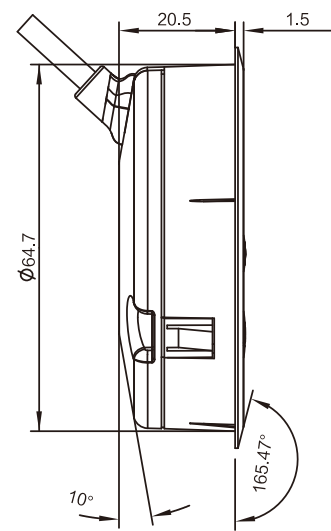
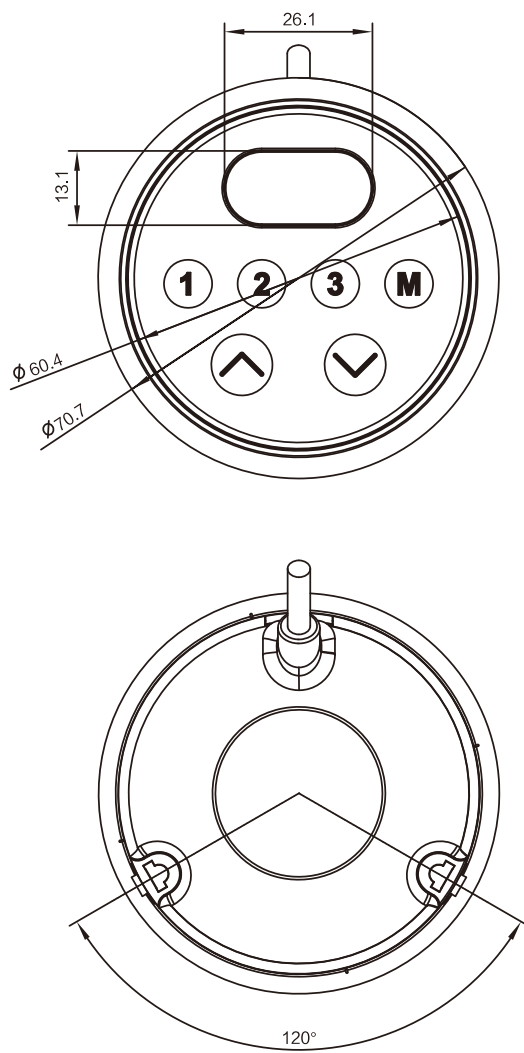
Usages

- Fit with control box: JCB35N1/JCB36N1;JCB35N2/JCB36N2;JCB35N3/JCB36N3;
JCB35N4/JCB36N4;JCB35M/JCB36M;JCB35NS1;JCB35NS2
- Working environment: Indoor
- Storage and transport temperature: -25°C~70°C
- Relative humidity: RH40%-95%

Technical specifications

- Keystroke \leq 2mm

Dimensions



Ordering Key

JCHT35K 32C-3-01V3-B/01-8H-2D0-L/N-3

