
JCHT35K26

A series of handset



Data sheet

JCHT35K26

- JCHT35K26 handset is a series of silicon keys, It has as followed below configurations:
A is for low configuration, has UP&DOWN buttons.
B is for medium configuration, it has an advantage of LED display compared to configuration A
C is for advanced configuration with memory function and USB charging. It is also equipped with built-in Bluetooth.
JCHT35K26 series handset has embedded desktop and side installation.



JCHT35K26A
side installation



JCHT35K26A
embedded desktop



JCHT35K26B
side installation



JCHT35K26B
embedded desktop



JCHT35K26C
embedded desktop

Features

- The silicone key
- A series of JCHT35K26
- Both of embedded desktop and side installation
- Customized colors

Options

- Customized LOGO

Usage

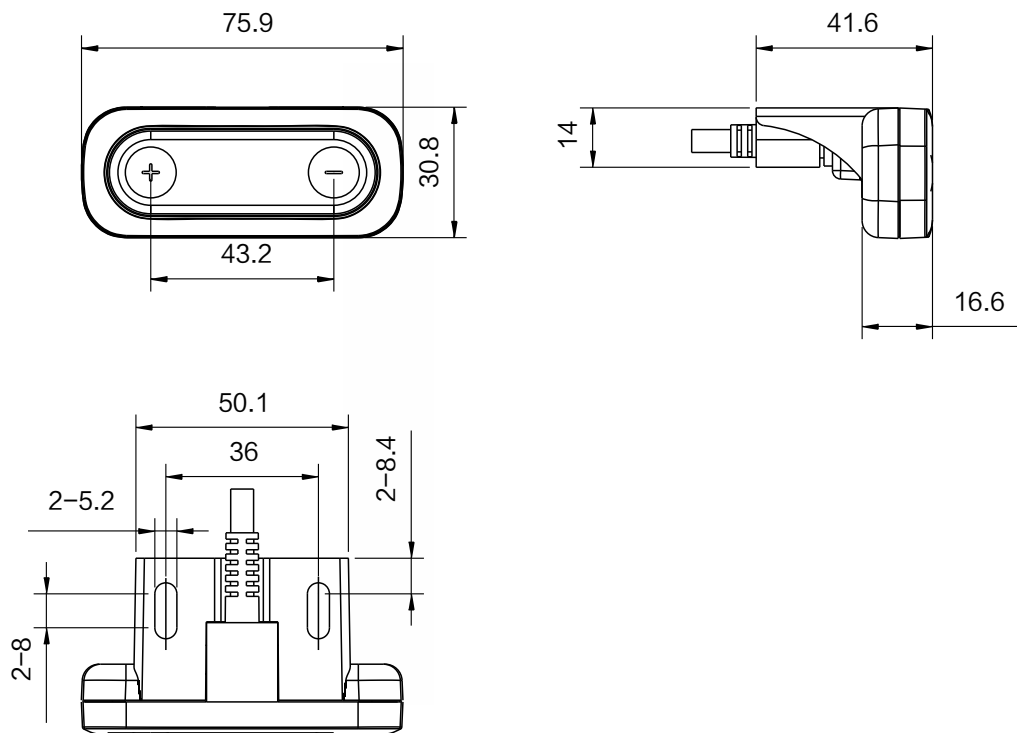
- Fit with control box: JCB35N;JCB35N1/JCB36N1;JCB35N2/JCB36N2;JCB35N3/JCB36N3;
JCB35N4/JCB36N4;JCB35M/JCB36M;JCB35NS1/JCB36NS1;JCB35NS2/JCB36NS2
- Working environment: Indoor
- Storage and transport temperature: -25°C + 70°C
- Relative humidity: RH40%-95%

Technical specifications

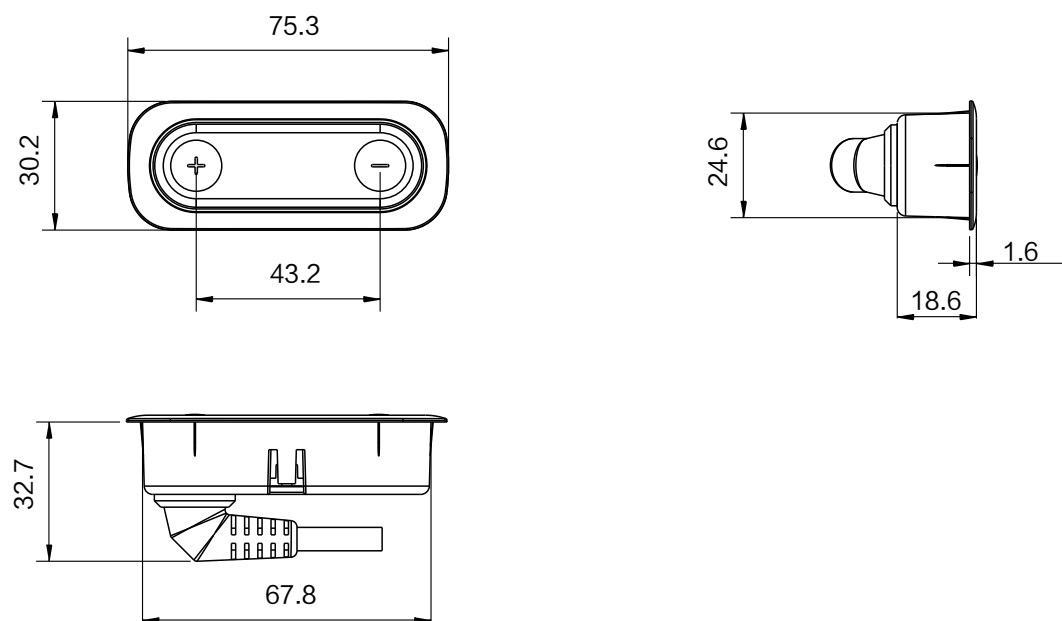
- keystroke \leq 1mm

Dimensions

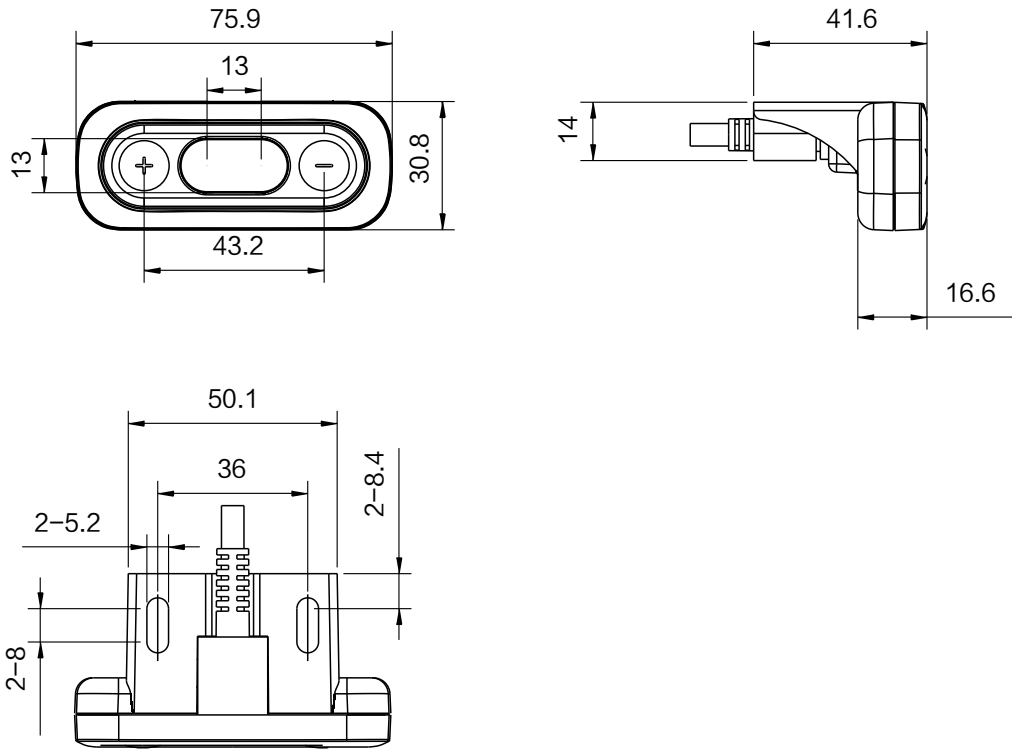
JCHT35K26A-side installation



JCHT35K26A-embedded desktop



JCHT35K26B-side installation



JCHT35K26B-embedded desktop

