

JCHT35K24

A series of handset



Data sheet

JCHT35K24



JCHT35K24A



JCHT35K24B



JCHT35K24C



JCHT35K24D

- JCHT35K24 is a series of seesaw button handset, with the following configurations:
JCHT35K24A: UP&DOWN Buttons
JCHT35K24B: UP&DOWN Buttons +LED Display
JCHT35K24C: UP&DOWN Buttons +LED Display +Memory Function +USB Charger
JCHT35K24D: UP&DOWN Buttons +LED Display +Memory Function + Two Speed Modes+ USB Charger

Features

- Seesaw Button
- A series of JCHT35K24

Options

- Customized LOGO

Usages

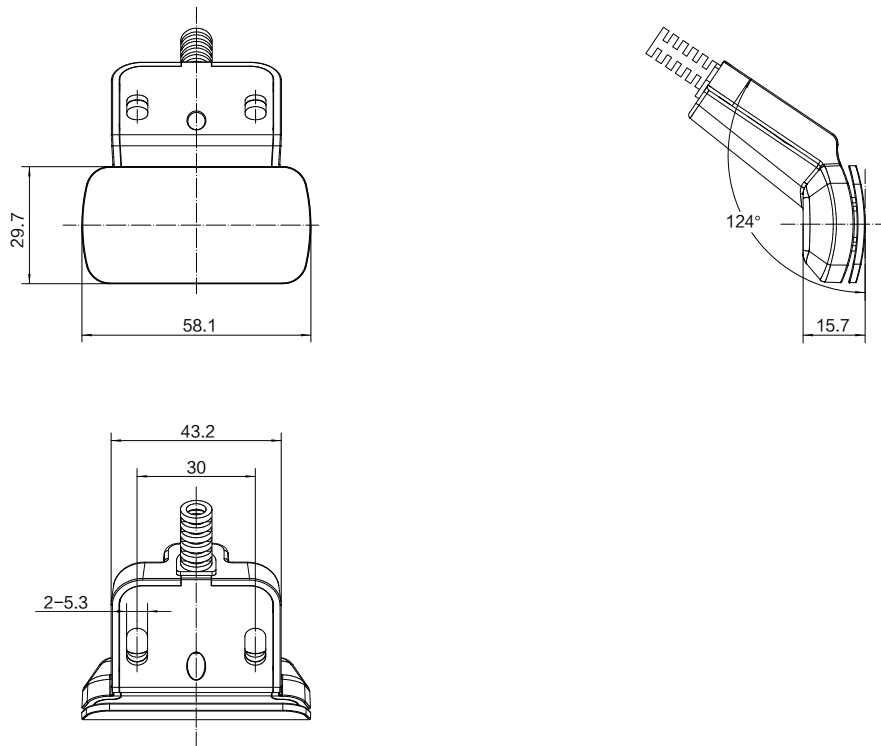
- Fit with control box: JCB35N; JCB35N1/JCB36N1; JCB35N2/JCB36N2; JCB35N3/JCB36N3; JCB35N4/JCB36N4; JCB35M/JCB36M; JCB35NS1;JCB35NS2
- Working environment: Indoor
- Storage and transport temperature: -25°C+ 70°C
- Relative humidity: RH40%-95%

Technical specifications

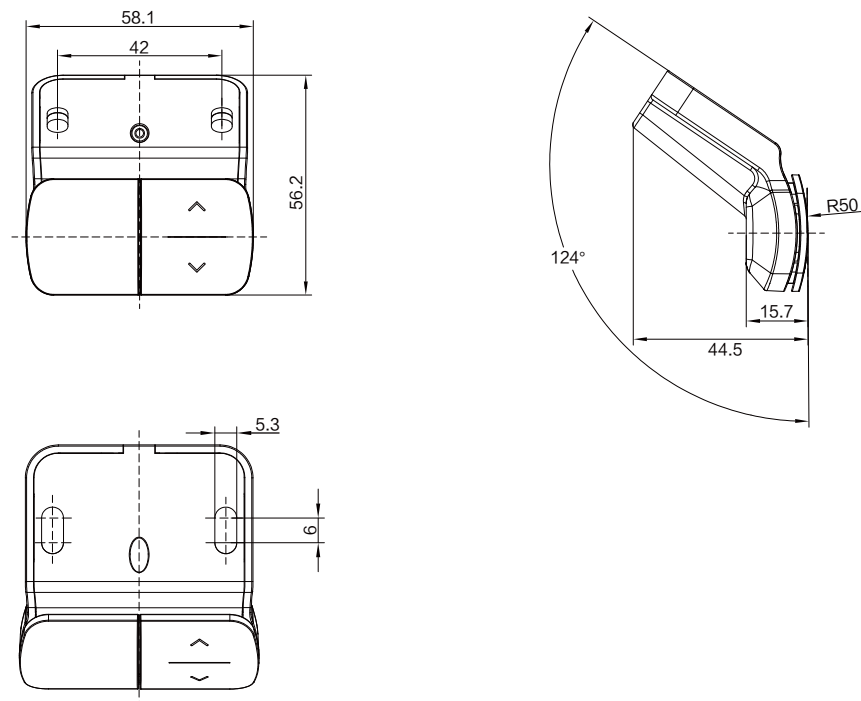
- Keystroke \leq 2mm

Dimensions

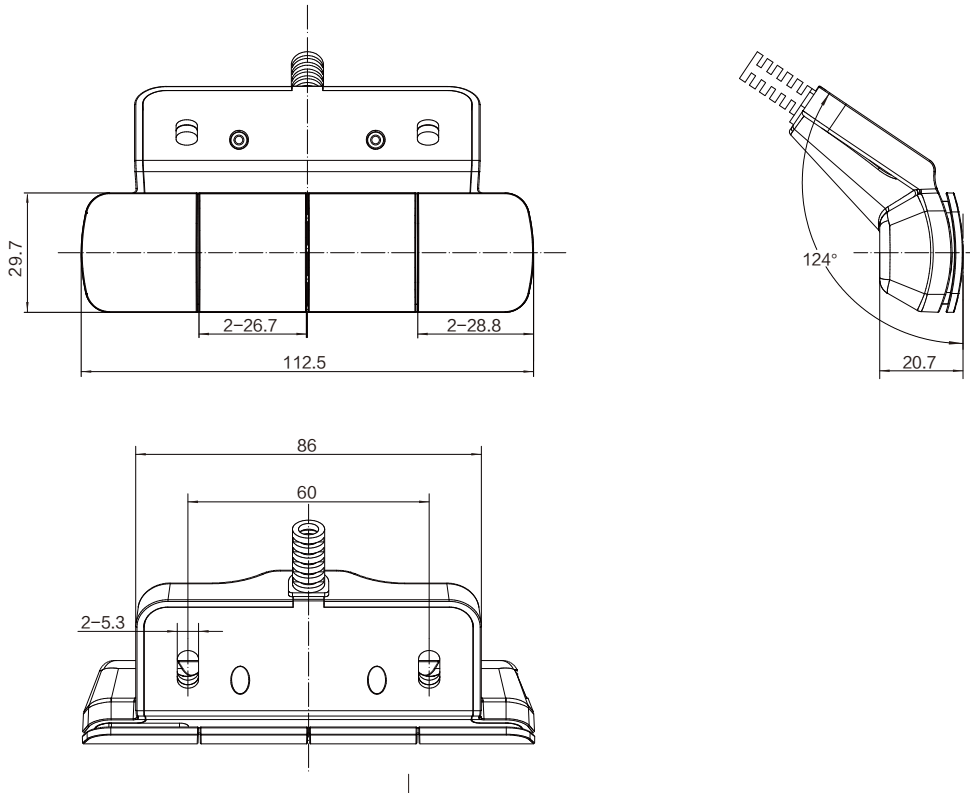
JCHT35K24A



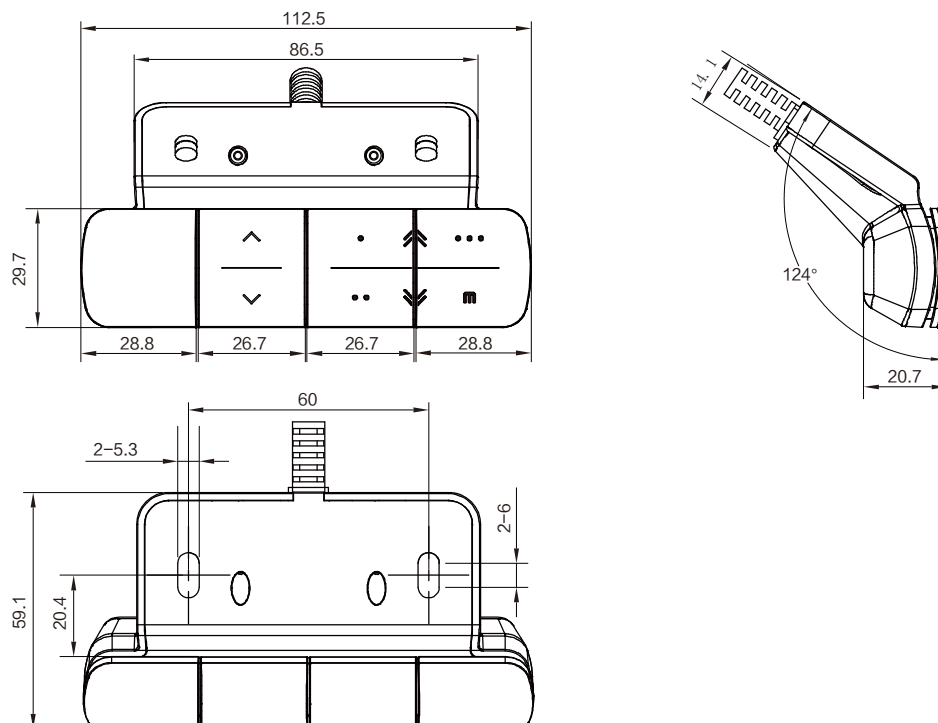
JCHT35K24B



JCHT35K24C

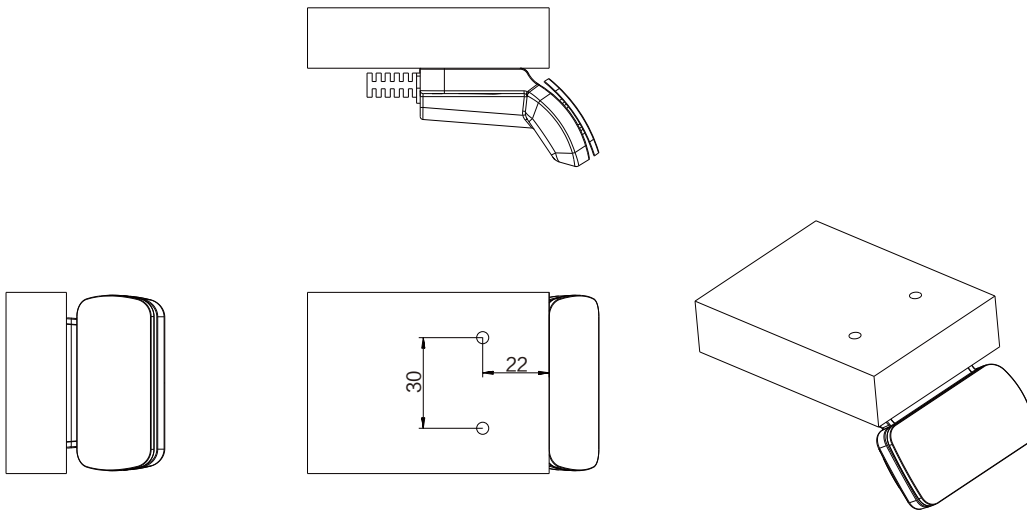


JCHT35K24D

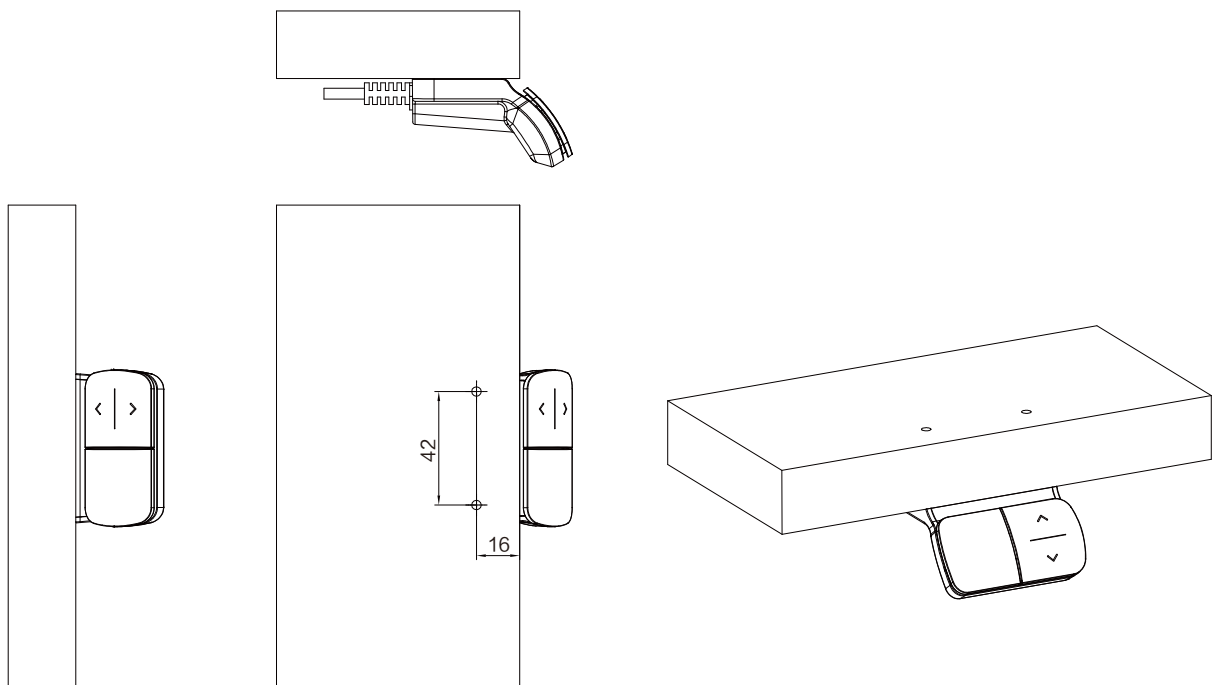


Installation Instruction

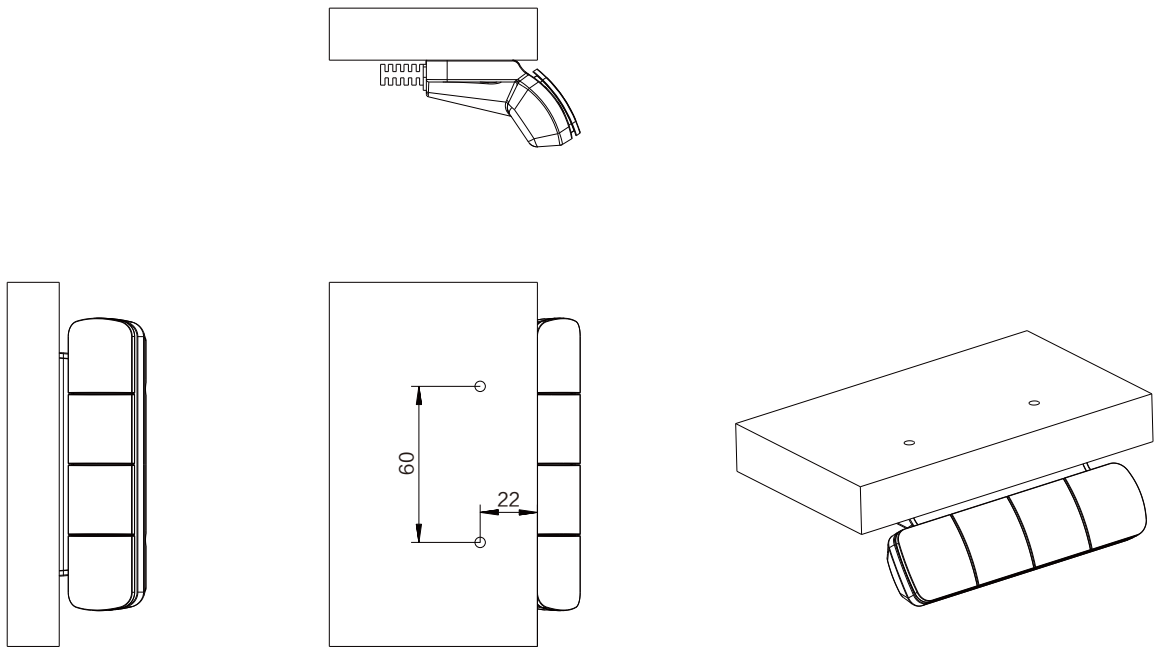
JCHT35K24A



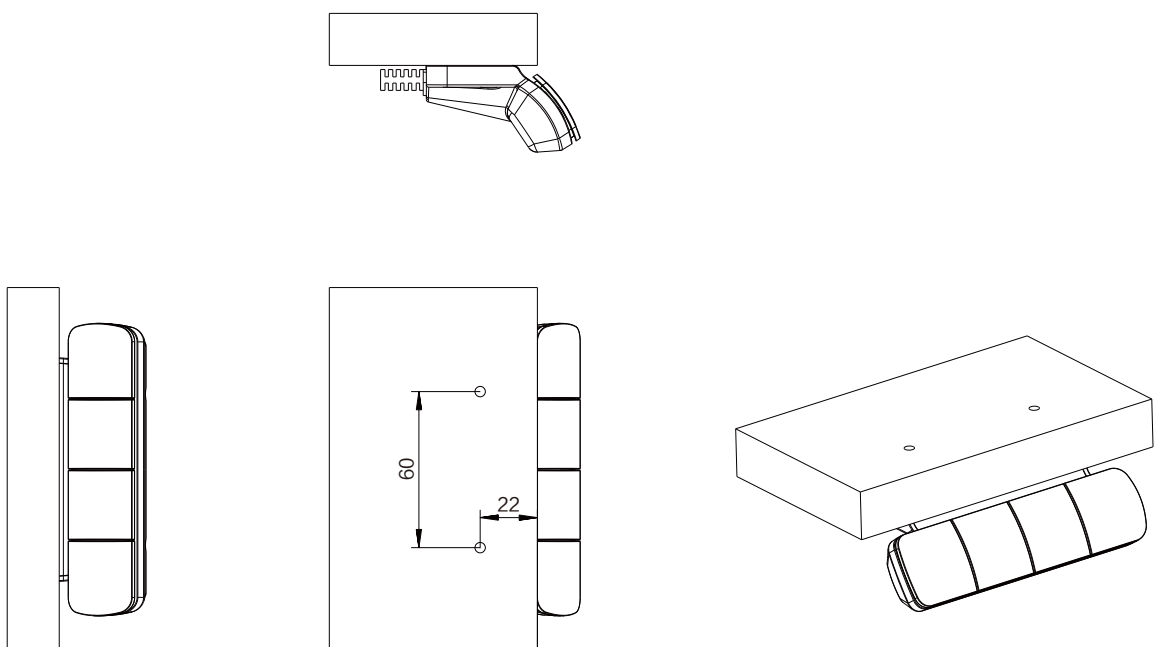
JCHT35K24B



JCHT35K24C



JCHT35K24D



Ordering key

JCHT35K24 C - 3 - 02V1 - B/01 - H - 2D0 - L/W - 1

