
Handset

JCHT35K22



Data sheet

JCHT35K22

JCHT35K22 is an innovative design handset with arc edge and silica gel buttons for more comfortable touch feel. And it has 3 memory buttons to achieve one-key lifting. JCHT35K11 can make free choice of different colors, front side of handset is waterproof to improve works safety.



Features

- Up/down drive
- 3 Memory Buttons
- Black/ White/Grey/Green
- Silicone button
- Water-proof in front side
- 34 degree mounting angle

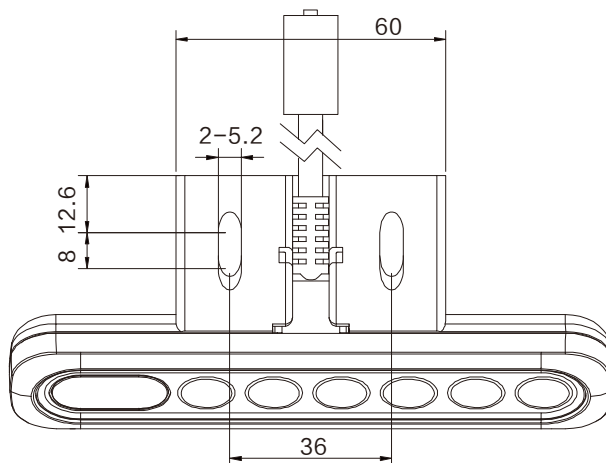
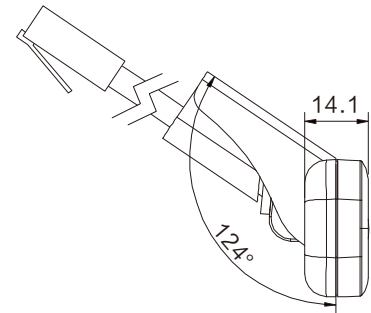
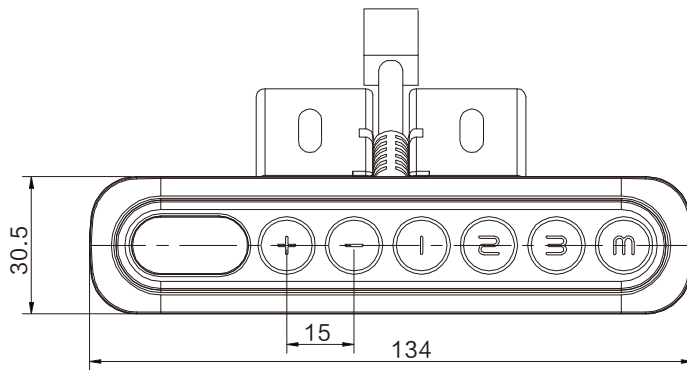
Options

- Customized cable length

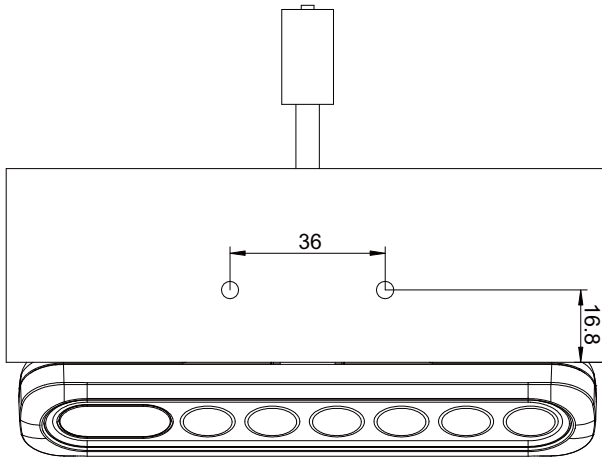
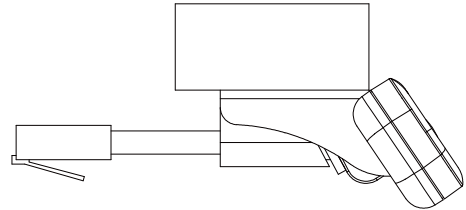
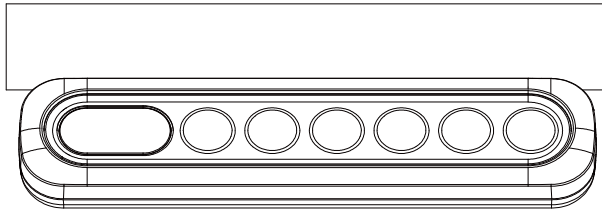
Usage

- Compatible control box: JCB35N1/ JCB36N1; JCB35N2/ JCB36N2; JCB35N3/ JCB36N3; JCB35N4/ JCB36N4; JCB35M/ JCB36M; JCB35NS1; JCB35NS2; JCB35MH3/JCB36MH3
- Working environment: Indoor
- Storage and transport temperature: 5°C~ 40°C

Dimensions



Installation Instruction



Ordering key

JCHT35K22 C - 3 - V2 - B/01 - H - 2D0 - L/W - 1

