
Handset

JCHT35K11



Data sheet

JCHT35K11

- JCHT35K11 is an innovative design handset with arc edge and silica gel buttons for more comfortable touch feel, matching with series of JIECANG JCB35N control box to operate all kinds of adjustable desk.
- JCHT35K11 can be installed in various types of height adjustable desks, making easy use of pressing up & down button to control desk lifting. And it has 3 memory buttons to achieve one-key lifting.
- JCHT35K11 can make free choice of different colors, front side of handset is waterproof to improve works safety.



Features

- Up/down drive
- LED displays actual height
- 3 memory buttons
- silica gel buttons, waterproof front side
- wire length: 2000mm with 8-core crystal plug

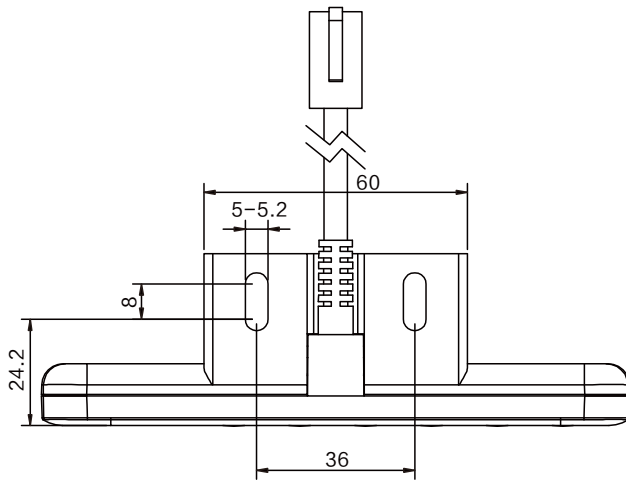
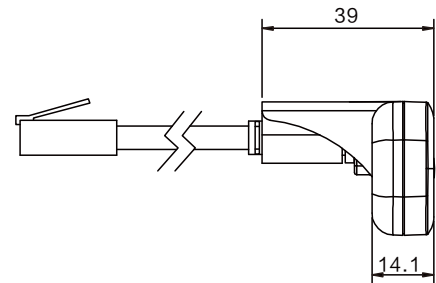
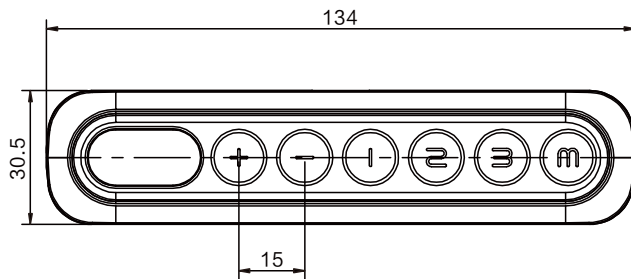
Options

- Customized logo
- Color: (Panel: Black/White, Button: Black/White/Grey/Green)

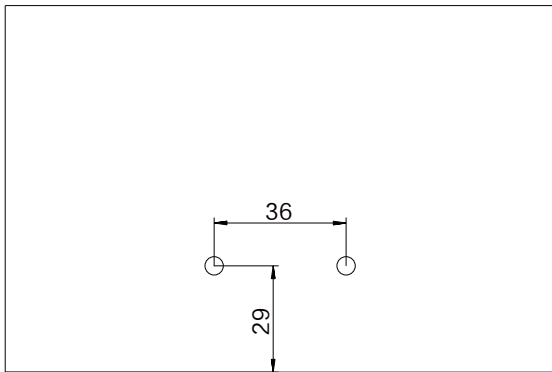
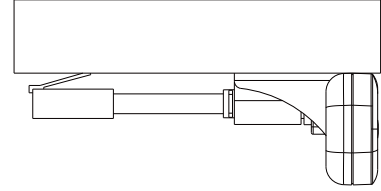
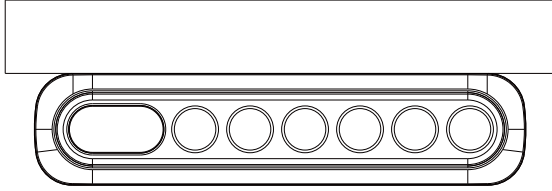
Usage

- Compatible control box: JCB35N1/ JCB36N1; JCB35N2/ JCB36N2; JCB35N3/ JCB36N3; JCB35N4/ JCB36N4; JCB35M/ JCB36M; JCB35NS1; JCB35NS2; JCB35MH3/JCB36MH3
- Working environment: Indoor
- Storage and transport temperature: 5°C~ 40°C

Dimensions



Installation Instruction



Ordering key

