

---

# Handset

JCHT35K10



## Data sheet

# JCHT35K10

- JCHT35K10 is a classic and simple type handset for clean and compact design. With only up & down button, for easy operation to match with series of Jiecang JCB35N control box to operate all kinds of adjustable desk.
- JCHT35K10 is available in side mounting and top mounting, Satisfied different mounting demands.
- JCHT35K10 can make free choice of different colours, buttons made for silica gel material, front side of handset is waterproof.



---

## Features

- Up/down drive
- silica gel buttons, waterproof front side
- wire length: 2000mm with 8-core crystal plug

## Options

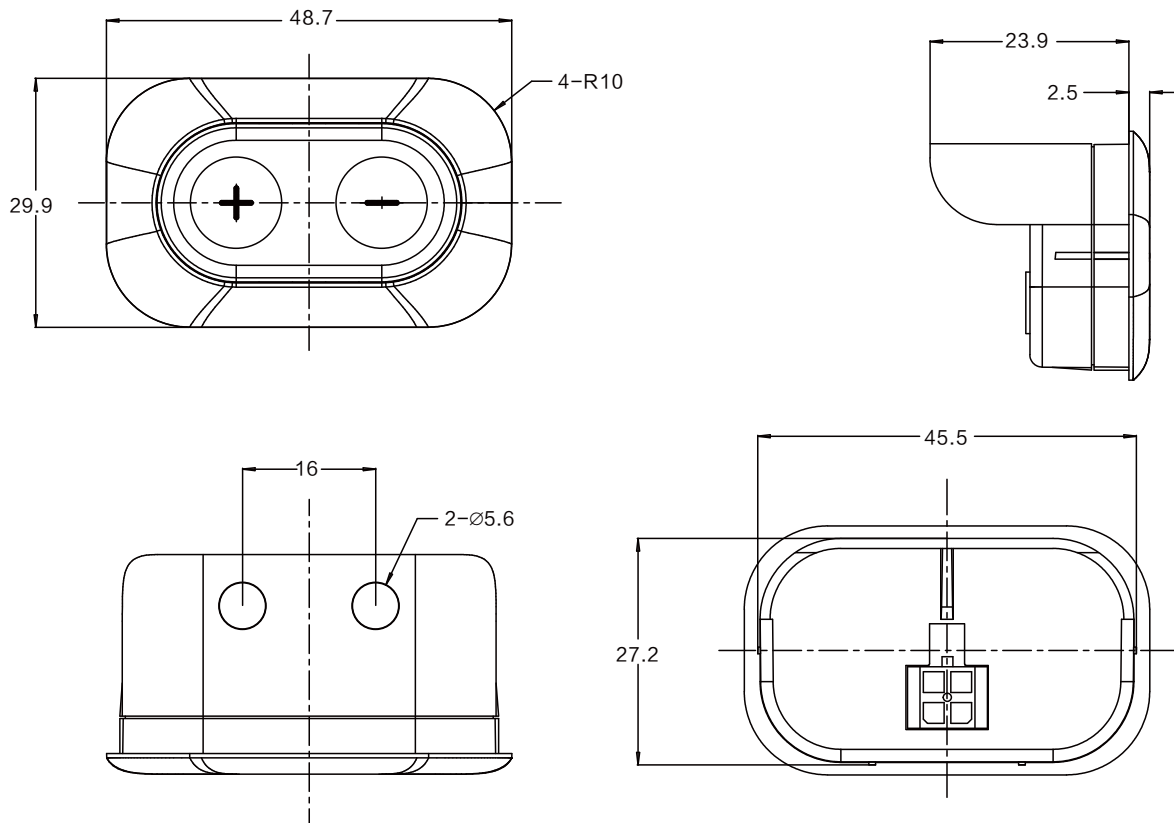
- Customized Logo
- Color: (Panel: Black/White, Button: Black/White/Grey/Green)
- Side mounting & Top mounting

---

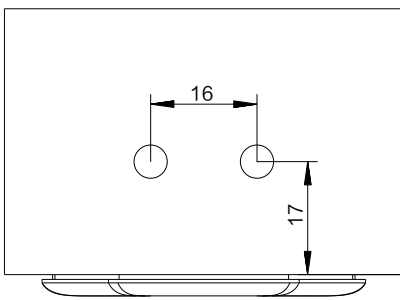
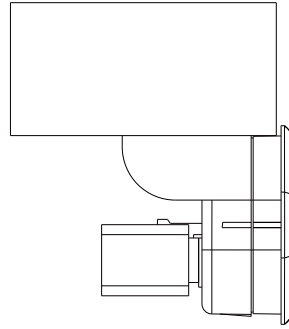
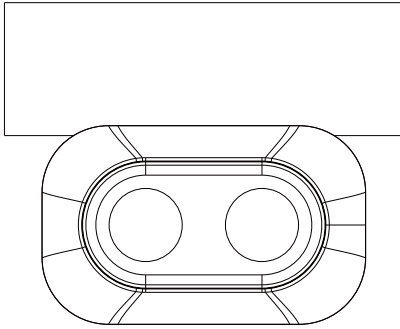
## Usage

- Compatible control box: JCB35N1/ JCB36N1; JCB35N2/ JCB36N2; JCB35N3/ JCB36N3; JCB35N4/ JCB36N4; JCB35M/ JCB36M; JCB35NS1; JCB35NS2; JCB35MH3/JCB36MH3
- Working environment: Indoor
- Storage and transport temperature: 5°C~40°C

## Dimensions



## Installation Instruction



## Ordering key

JCHT35K10 A- 0- V3 - B/01 - H - 2D0 - N/N - 2

