

JCF35V Foot switch

Application field - Medical Line

Preferably in the physiotherapy bed, operation bed, nursing bed, computer workstation, etc.

JCF35V is a foot switch, which mainly used in medical bed system to control bed status. JCF35V has 2 models: wired or 2.4G wireless. The wired version is approved by the standards of YY1057-2016 for medical foot switch, which is more reliable and stable. The wireless version will automatically enter low-power consumption state when without operation in 6S.

JCF35V offers a comfortable and reliable solution for medical bed system.

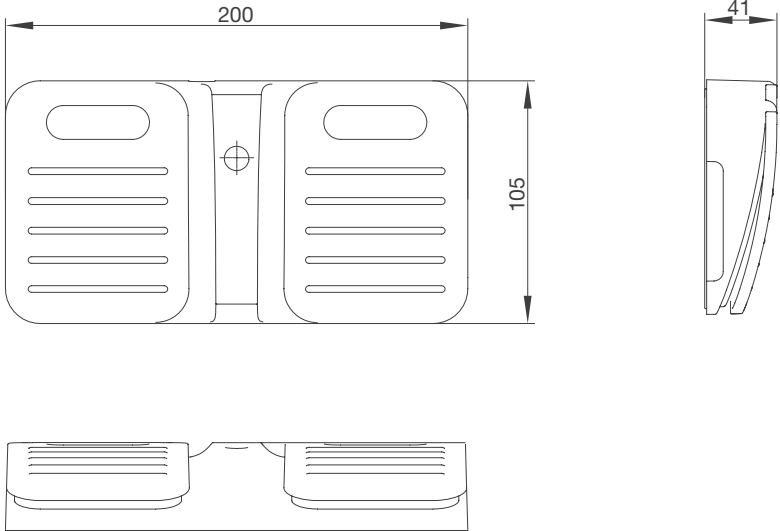


General Features

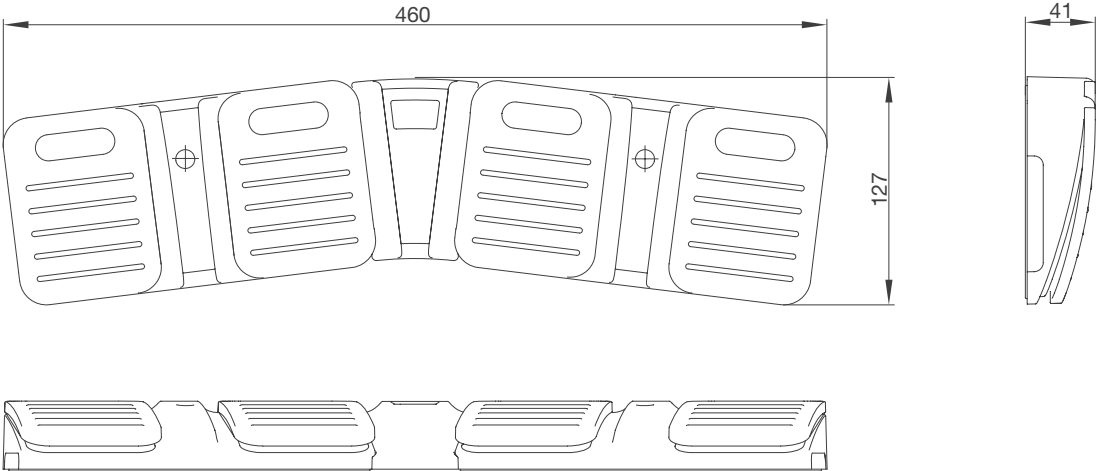
Buttons:	Max. 3 rows button
Colour:	Black / Gray
Controller matching:	Adapt to all conventional controllers of Jiecang
Max IP grade:	IP54 / IPX6(wireless)
Operation:	Wired /2.4G wireless
Supporting control box:	The wired version fits all standard control boxes of JIECANG; The wireless version fits all control boxes with wireless function
Installation method:	Wired can be external or embedded/wireless external
Operating temperature:	+5°C to + 40°C
Storage temperature:	-10°C to + 50°C
Relative humidity:	20% to 80% (non-condensing)
Atmospheric pressure:	860 to1060 hPa
Altitude:	Up to 2000m
Drive up:	3 actuators simultaneously
Standards:	Wired: the wired version is approved by the standards of YY1057-2016 for medical foot switch Wireless: CE-RED, RCM, FCC IC

Dimension Drawing

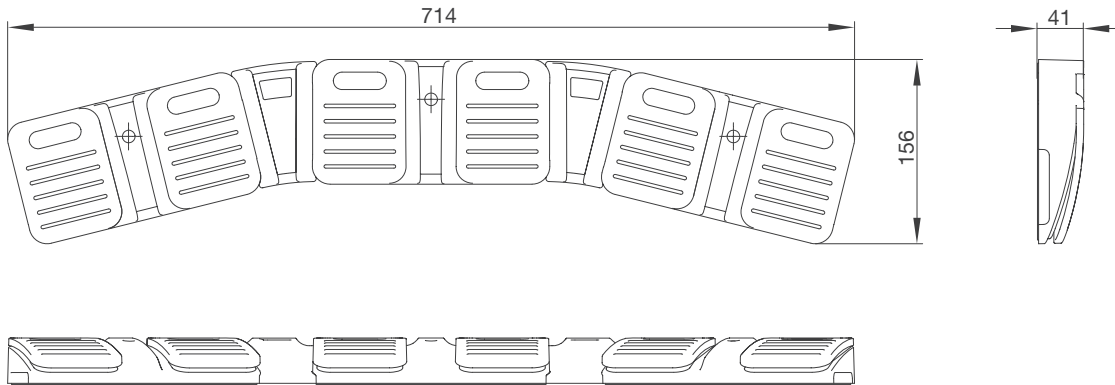
One row



Two rows



Three rows



Ordering Key

Take **JCF35VB2B0018L14D00** for example

Model	JCF35V	
Extension functions	B	A = With backlight / B = Without backlight (Backlight is not available for JCF35V)
Rows of buttons	2	2 = 2 row / 3 = 3 row
Color	B	G / B = Pedals Black B, Gray G
Panel code	001	001 = Specific code
Cable plug code	8L1	8L1 = 8pin DIN plug of spring cable 13L1 = 13pin DIN plug of spring cable 10P1 = 10pin crystal elbow flex plug of spring cable
Cable length	4D0	4D0 = 4.0M
Linkage	0	0 = Single action / L = Single linkage

Standard panel

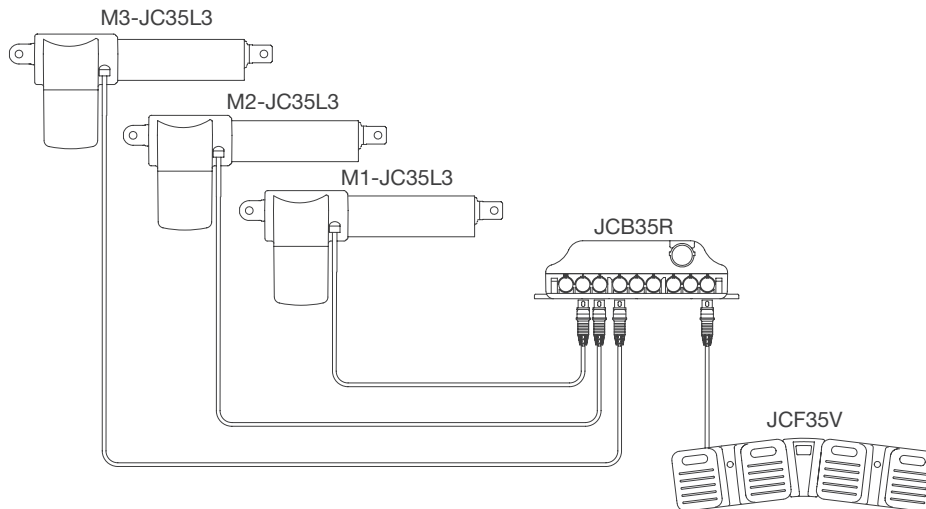
Please check if the function you need is matching with panel function before placing an order.



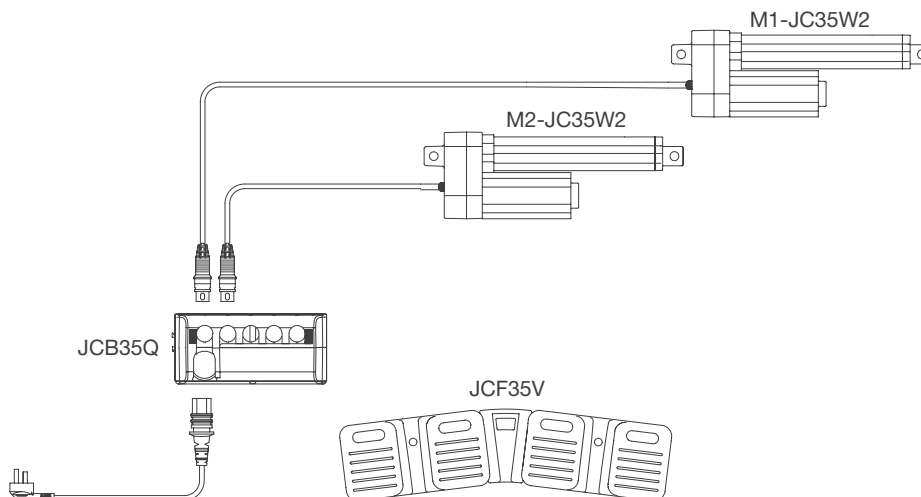
The foot switch can match the panel according to the functional requirements of customers. Please contact the salesman in the corresponding area of JIECANG for confirmation before placing an order.

System connection

Wired

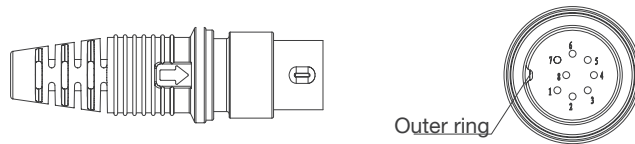


Wireless

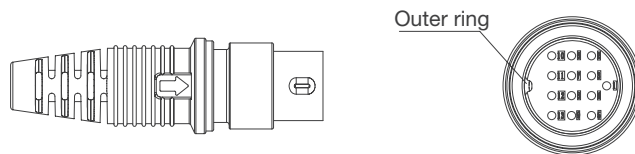


Plug

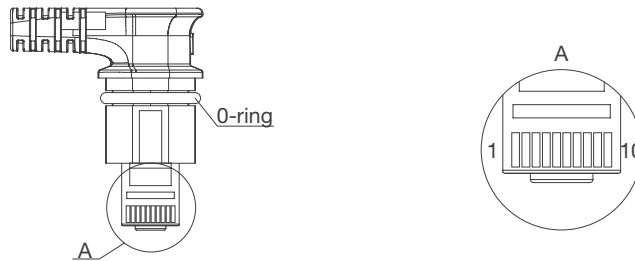
8 pin DIN plug: straight cable: 8D1, coiled cable: 8L1 (suitable for Jiecang straight plug control box)



13 pin Din plug: straight cable:13D1, coiled cable: 13L1 (suitable for Jiecang straight plug control box)



10 DIN RJ elbow flex coiled cable:
straight cable:10H1; coiled cable: 10P1 (matching with control boxes JCB35T2, JCB35T3 and JCB35T6)



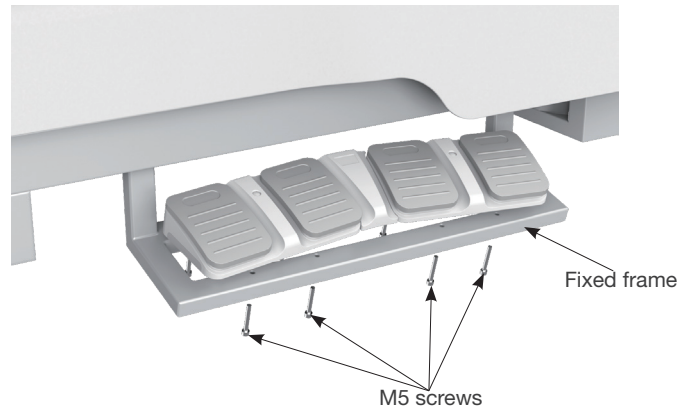
Note: The number of matching actuators is different, and the matching control box model is different, and the plug code will be different. Please contact the salesman in the corresponding area of Jiecang for confirmation before placing an order.

Installation guidance

Method one: External (place the foot switch directly on the ground near the equipment)

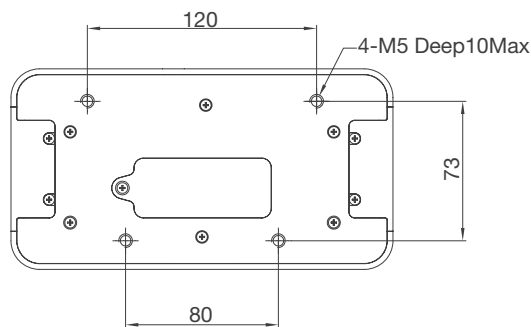
Method two:

- 1) Place the single row foot switch on the fixed frame;
 - 2) Tighten with M5 screws from the back of the fixing frame, the number of screws is 4 for each row;
- Recommended torque 0.6Nm±0.1.

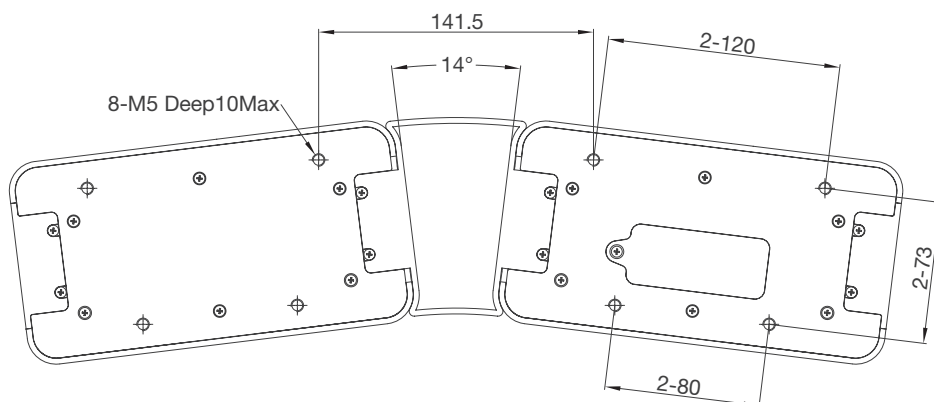


Installation hole dimension drawings

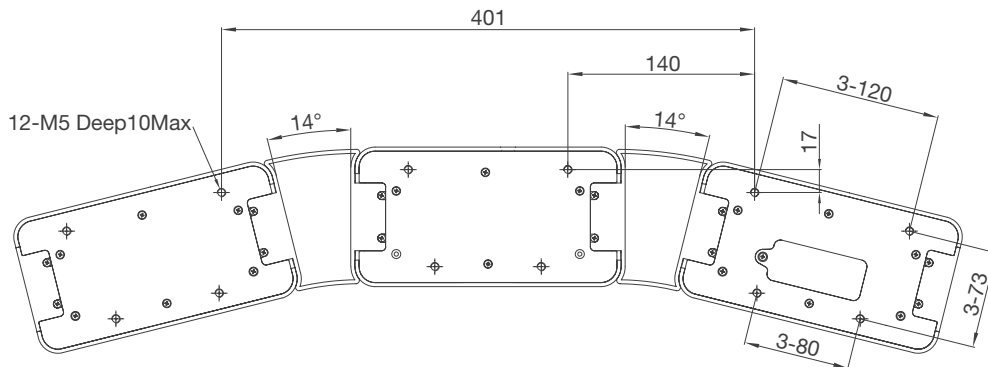
One row



Two rows

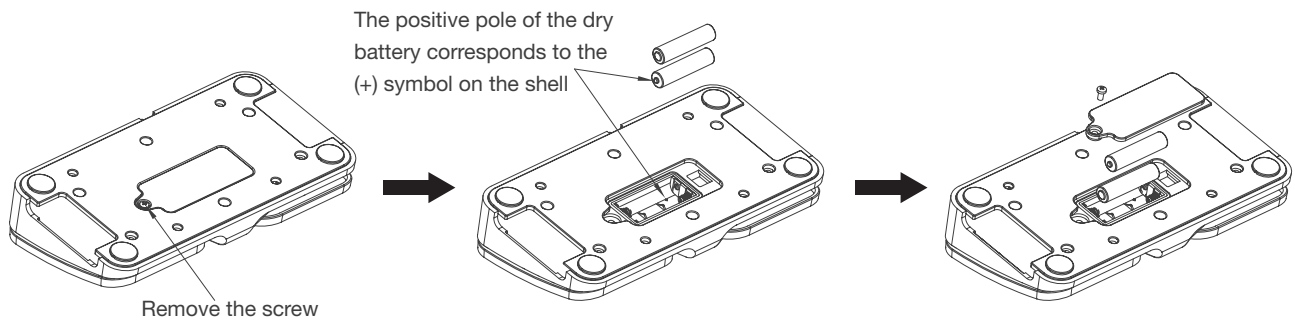


Three rows



Battery installation steps

- Step1: Remove the screws with a T9 cross screwdriver and remove the battery cover;
- Step2: Put two 1.5V batteries into the battery jar after matching the positive poles with “+”
- Step3: Cover the battery jar and lock the screw with a 0.2Nm torque.



Conditions of Use

It is the user's responsibility to determine the suitability of JIECANG products under specific conditions. JIECANG is committed to providing accurate and up-to-date product information. However, due to the continuous improvement of the product by JIECANG, JIECANG products may be subject to frequent changes without prior notice. Therefore, JIECANG cannot guarantee the correctness and authenticity of the product information described. While JIECANG will do its best to meet order requirement. JIECANG cannot guarantee the deliverability of any particular product for the above reasons. Therefore, JIECANG reserves the right to discontinue the sale of any products listed on the website or product catalogue or other JIECANG written materials. All sales activities must be conducted in accordance with the requirements of the JIECANG Standard Terms of Sale and Delivery. For copies of relevant documents, please contact JIECANG.



Strictly abiding by medical safety certifications

Passed EMC tests. To ensure our products pass all kinds of tests domestic or abroad.



Communication protocol development

Aiming at different applications, develop more extensive functions for control system.



Professional customization

Powerful R&D strength, fully satisfy customers' needs. Development cycle is about 10 days, seizing more market opportunities



Intelligent Control of Bluetooth

Mobile phone as the remote, applying in home care. Market pioneer, Jiecang provides better choices



Wireless Communication

Controllers adopt high-frequency wireless system. It can avoid interference mixing with signal receivers, assisting in remote control over medical equipment.



Latest Weighing System

Designed for physiotherapy beds and medical care beds. Cantilever carrying weighing sensor, it is applicable to different bedsteads dispensing with any adjustment



Notes for mounting and usage can be found in the corresponding mounting manual