

# JCB35T3 Controller

Application field - Medical Line  
Preferably in the medical and nursing industries.

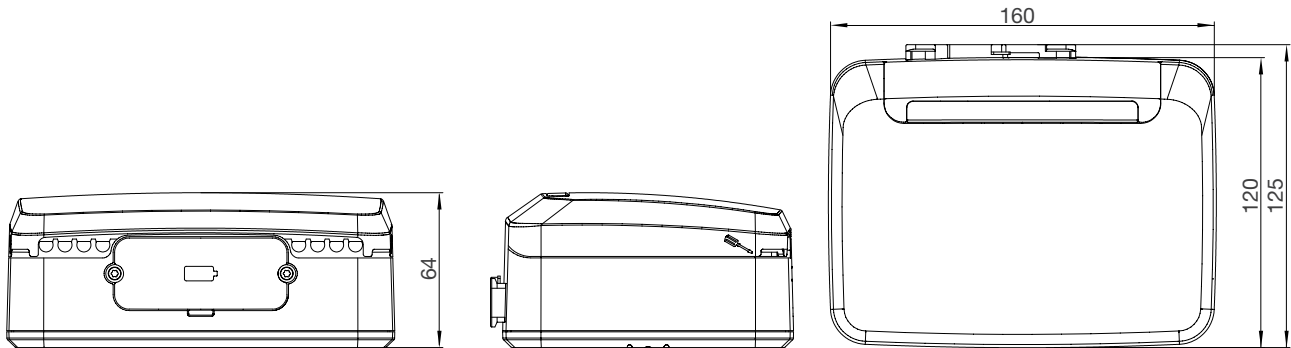
JCB35T3 is equipped with power adapter JCP35PA worldwide, which can be connected with a hand controller, four actuators. JCB35T3 has an elegant appearance and compact design. The fixed sliding block of the lower housing can be belocked to the platform by screws, or can be fixed to various types of actuators by special sliding channel. When the actuators reach to the top and bottom positions, the motor power will be cut off by the control box directly, not by the limit switches in actuators.



## General Features

<b>Power supply:</b>	Input 24~36VDC (match with power adapter)
<b>Power indicator:</b>	Yes
<b>Actuator plug:</b>	Max. 4channels, 6 pin Molex elbow plug
<b>Handset plug:</b>	10 pin Crystal elbow plug
<b>Standby power:</b>	Max. 1W (230V)
<b>Colour:</b>	Grey
<b>Control method:</b>	H-bridge, with a service life of more than 20,000 cycles (No relay noise)
<b>Duty cycle:</b>	Duty cycle: 2/18 at 25°C; continuous use on/off (continuous working for 120 seconds with 180W at 25°C)
<b>Weight:</b>	0.8kg
<b>Actuators compatibility:</b>	Signal actuators (applicable to signal switch)
<b>Built-in dry battery:</b>	Provide emergency lowering function of back and leg
<b>Max IP grade:</b>	IPX6
<b>Operation:</b>	Synchronous drive (feedback optional)
<b>Maximum current:</b>	Total 10A for all channels
<b>Safety system:</b>	Over temperature protection of switch power supply / Over load protection
<b>Installation:</b>	Compatible with the actuators equipped with special mounting brackets, bed frame (fixed by screws)
<b>Cable cover:</b>	All ports have
<b>Standards:</b>	IEC60601-1 edition 3.1   EMC: IEC60601-1-2 ANSI/AAMI ES60601-1:2005/(R) 2012   CSA CAN/CSA-C22.2 NO. 60601-1:14

## Dimension Drawing

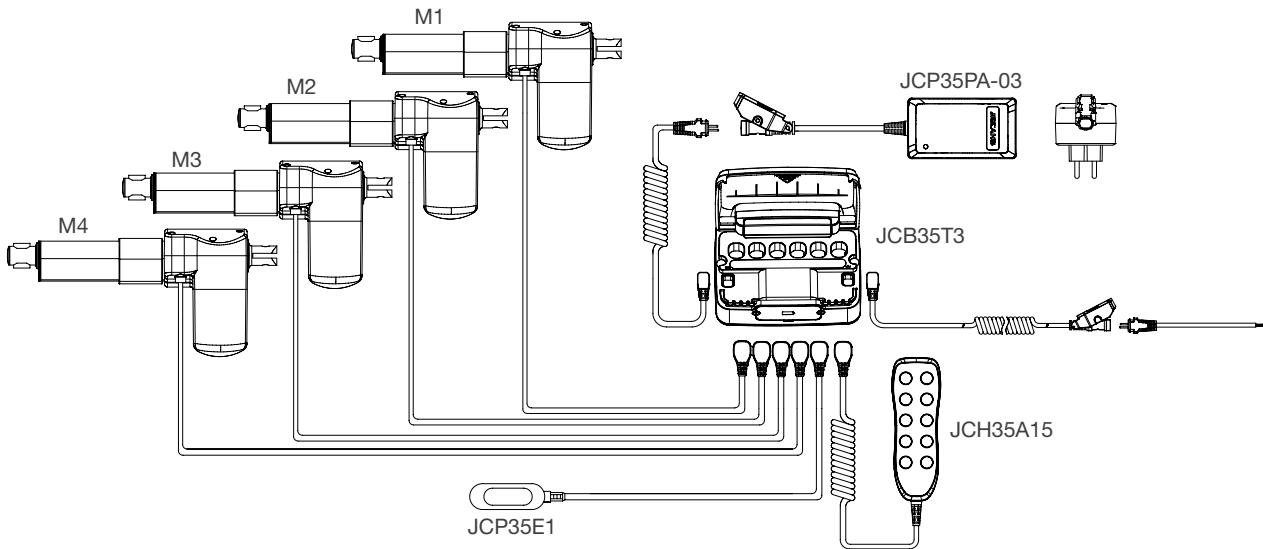


## Ordering Key

Take **JCB35T3AM46GT003172080** for example

Model	<b>JCB35T3</b>	
Extension function	<b>A</b>	A = With batter / M = With chips
Actuator amount	<b>4</b>	1 = 1 Channel / 2 = 2 Channel / 3 = 3 Channel / 4 = 4 Channel
Input voltage	<b>6</b>	6 = 30 to 42 VDC (including 42v)
Color	<b>G</b>	G = Gray
PCB board	<b>T0031</b>	T0031 = Specific code
Power or capacity	<b>72</b>	72 = 72W
Optional function	<b>08</b>	0 = Standard / 08 = With under-bed light / 19 = With dry battery

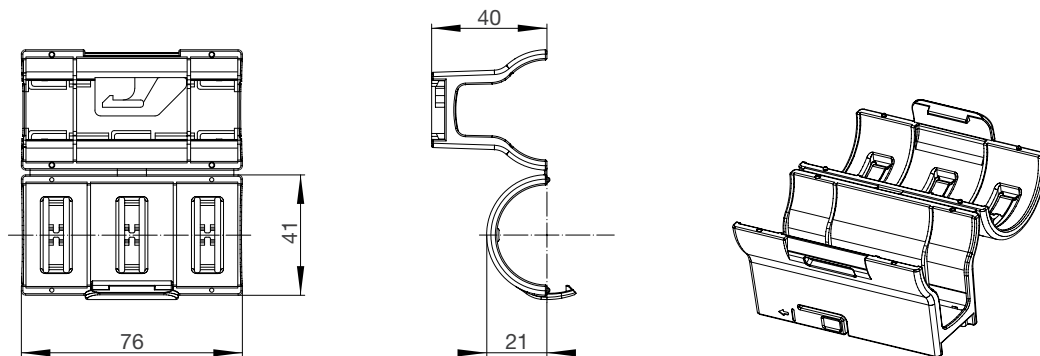
## Platform - system overview



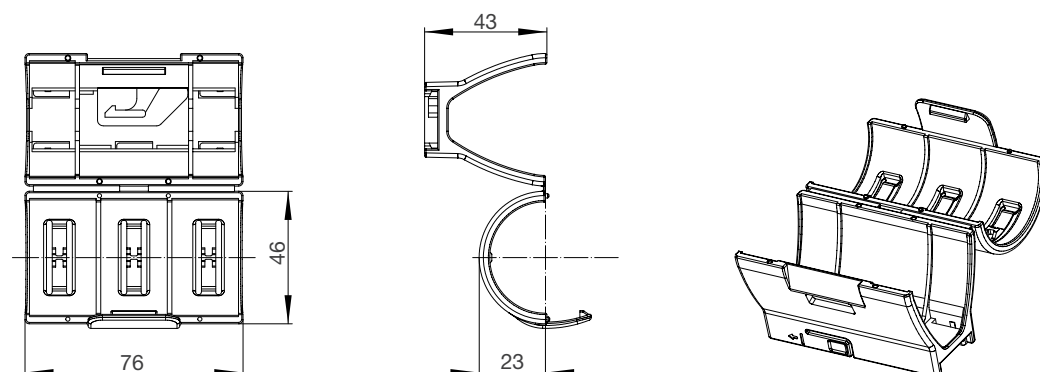
## Install

### Mounting brackets

#### Matched JC35L3/JC35L9

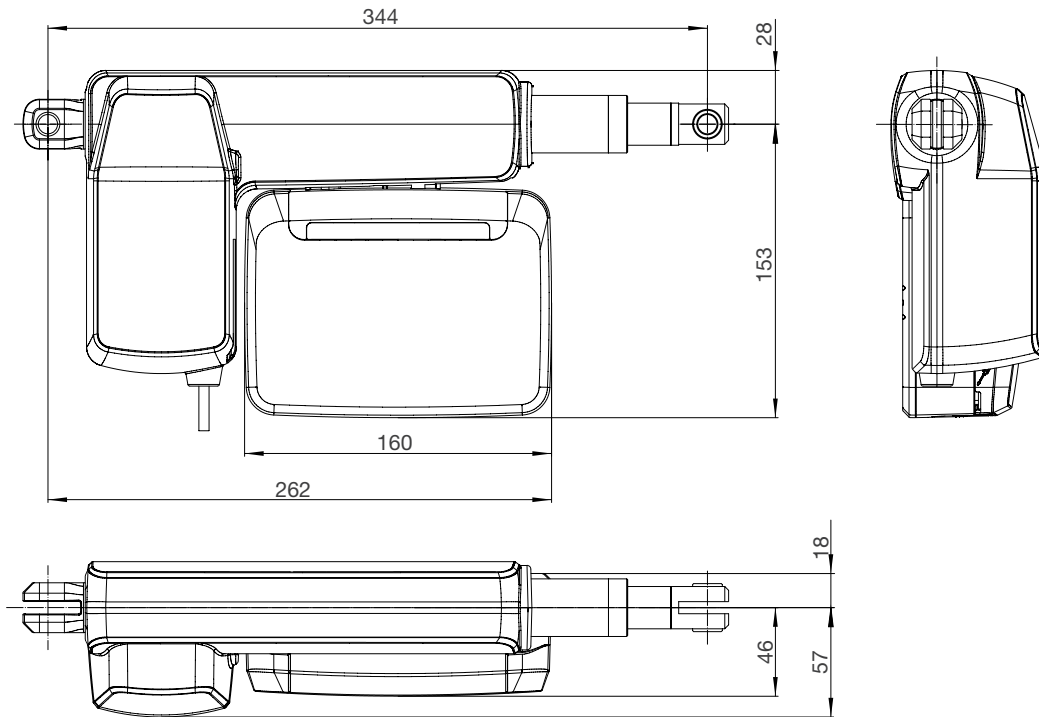


#### Matched JC35D4

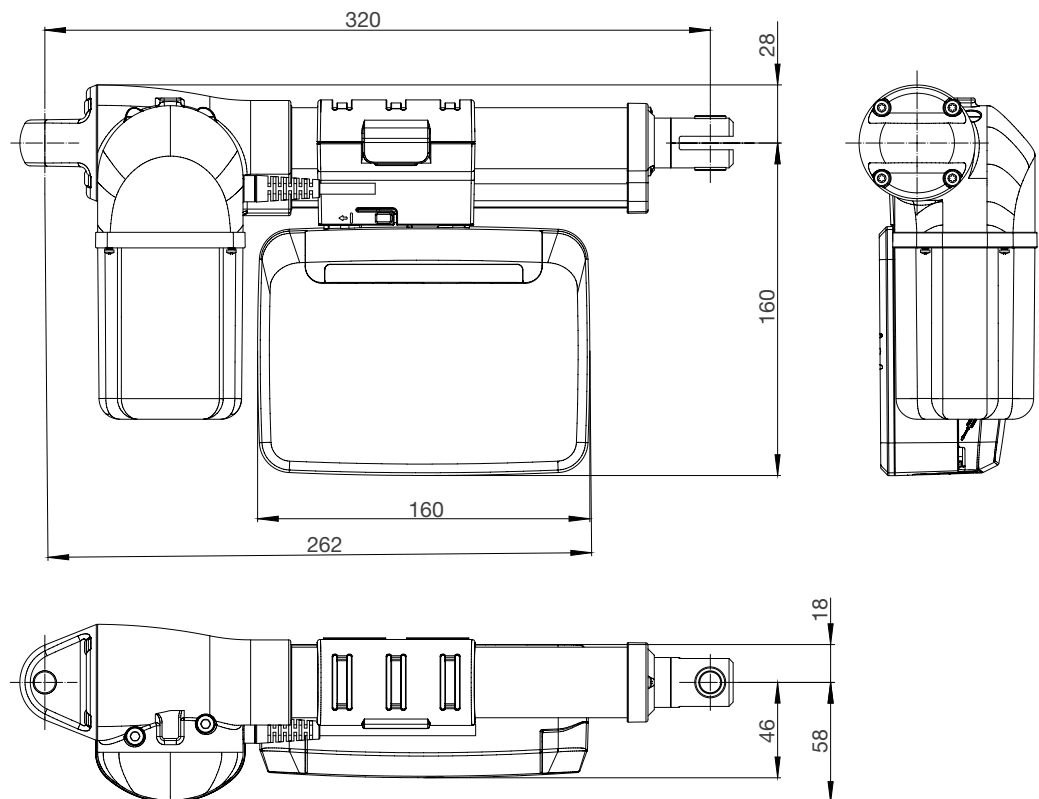


**Dimensions JCB35T2 with linear actuators**

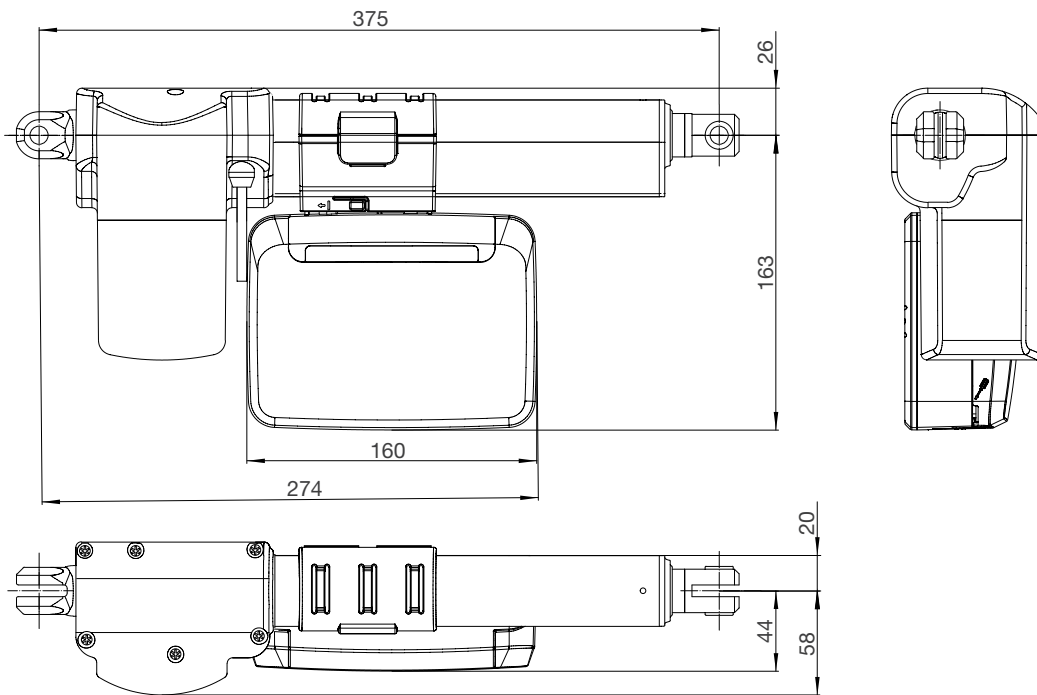
**Install on JC35B8 actuator**



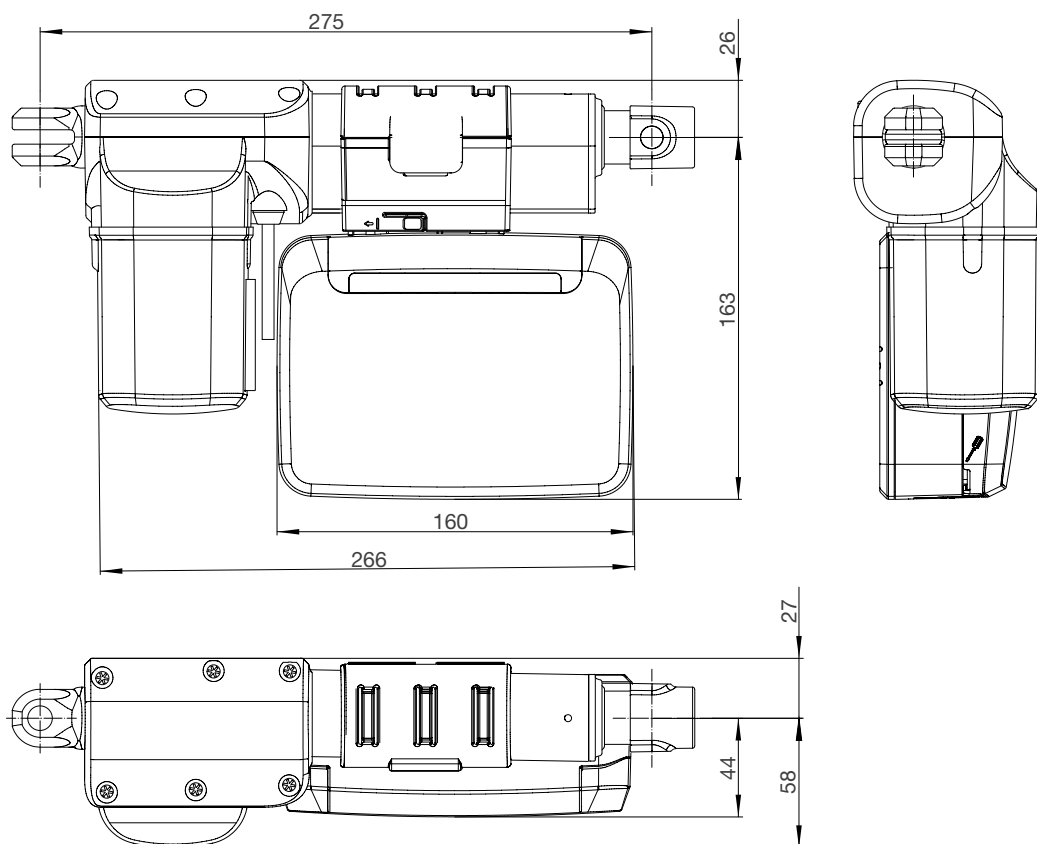
**Install on JC35D4 actuator**



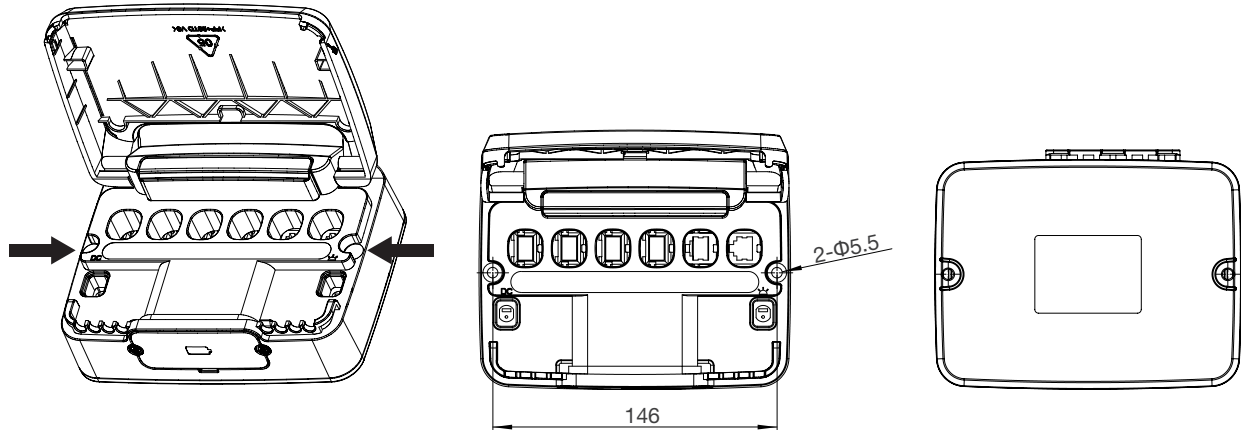
**Install on JC35L3 actuator**



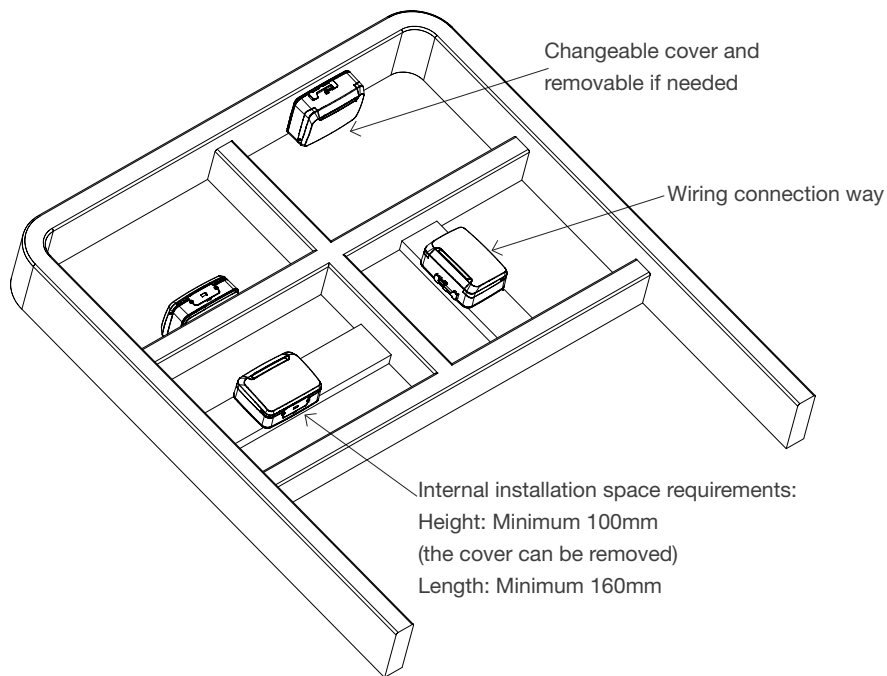
**Install on JC35L9 actuator**



### Installation dimension



### JCB35T3 is installed on the frame



It is recommended that the JCB35T3 be installed in a location where water can be drained  
Suggested torque: 0.6Nm +/-0.1

The controller can be installed on the bed frame or any other application according to one of the following installation procedures:

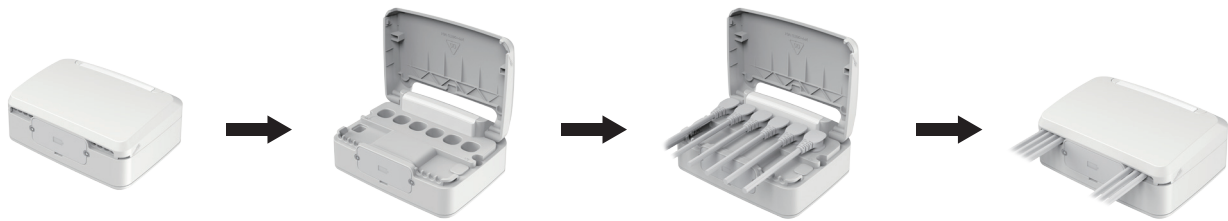
- 1) After placing the M5 nut under the mounting hole, fix the product with M5 bolts.
- 2) Fix the product with M5 machine screws with bushings.
- 3) Fix the product to the frame with self-tapping screws;

## Cable locking and management

### Linear actuator cable locking

The control box JCB35T3 comes with a unique designed cable cover. When the cable cover is closed, it acts as an integrated actuator cable lock.

1. Install the cable plug into the control box.
2. close the cable cover until it snaps into place.
3. In order to allow maintenance personnel access to the cable freely, the cover can stay in a fixed position when it is fully opened.



### LED indication

JCB35T3 has a green LED power indicator.  
When JCB35T3 is connected to the power supply, the LED is on (green);  
Otherwise, the LED is off.

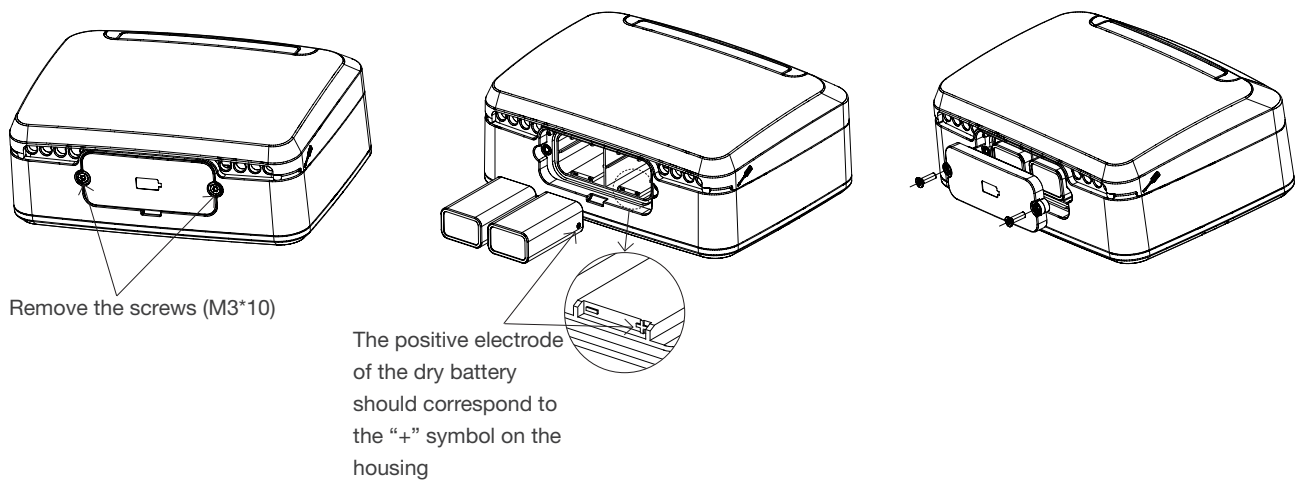


### Dry battery function and installation method

JCB35T3 is equipped with two 9V dry batteries, it can power the back and leg actuators for an emergency lowering to the bottom when power off.

The installation steps of dry batteries as follows:

1. Use a tooling to take out the battery cover screws and remove the battery cover
2. Load two 9V dry batteries inside, please note the positive and negative poles of the dry batteries should correspond to the “+” and “-” symbols on the housing
3. Screw in the battery cover with recommended torque in 0.2Nm



## Conditions of use

The user must determine the suitability of Jiecang products under specific conditions. Jiecang is committed to providing accurate latest product information. However, due to Jiecang continuous improvement of its products, Jiecang products may not be notified in advance with frequently changes . Therefore, Jiecang cannot guarantee the correctness and authenticity of the product information. Although Jiecang will do our best to meet the order requirements, but for the above reasons, Jiecang cannot guarantee the deliver ability of any specific product. Therefore, Jiecang reserves the right to stop selling any products listed on the website or product catalog or other Jiecang written materials. All sales activities must be carried out in accordance with the requirements of the Jiecang Sales and Delivery Standard Terms. For copies of related documents, please contact Jiecang.





### Strictly abiding by medical safety certifications

Passed EMC tests. To ensure our products pass all kinds of tests domestic or abroad.



### Communication protocol development

Aiming at different applications, develop more extensive functions for control system.



### Professional customization

Powerful R&D strength, fully satisfy customers' needs. Development cycle is about 10 days, seizing more market opportunities



### Intelligent Control of Bluetooth

Mobile phone as the remote, applying in home care. Market pioneer, Jiecang provides better choices



### Wireless Communication

Controllers adopt high-frequency wireless system. It can avoid interference mixing with signal receivers, assisting in remote control over medical equipment.



### Latest Weighing System

Designed for physiotherapy beds and medical care beds. Cantilever carrying weighing sensor, it is applicable to different bedsteads dispensing with any adjustment



Notes for mounting and usage can be found in the corresponding mounting manual