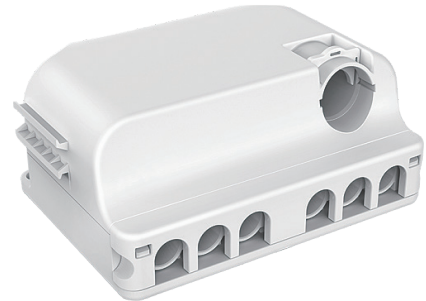


JCB35T Controller

Application field - Medical Line
Preferably in in the medical and nursing industries

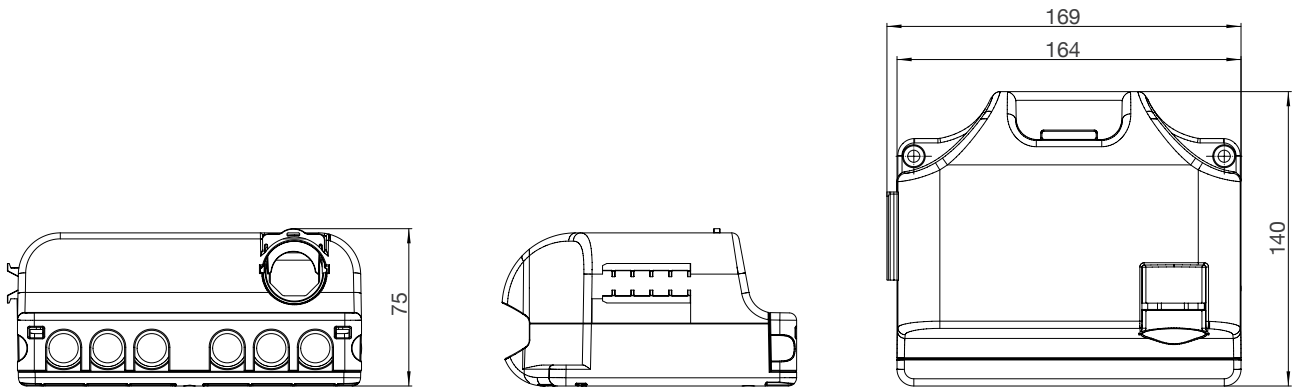
JCB35T is equipped with suitable and optimized SMPS (switching mode power supply) worldwide, which can be connected with a hand controller, four actuators, a battery and an under-bed light. JCB35T has elegant appearance and compact design. The fixed sliding block of the lower housing can be locked to the platform by screws, or can be fixed to various types of actuators by special sliding channel.



General Features

Power:	Input: 100-240 VAC, 50/60 Hz, Output 58W in the rated state, 180W in the working state
Power point light:	Yes
Actuator plug:	Max. 4channels, 4 pin DIN plug
Handset plug:	1 channel, 9 pin DIN plug
Battery plug:	1 channel, 6 pin DIN plug (When there is no action of actuator -output 1mA)
Standby power:	Max. 1W (230V)
Colour:	Black / Grey
Control method:	H-bridge(no relay noise), the life-time exceeds 20,000 cycles
Duty cycle:	2/18min @ 25°C; on/off continuous use (180W at 25°C for 120 seconds)
Weight:	0.6kg
Compatibility:	Support standard actuator and column (inner limit switch)
Battery management:	Turning off at low voltage; charging and discharging management
Max IP grade:	IPX6
Operation:	Synchronous drive (no feedback)
Maximum current:	Total 10A for all channels
Power supply management:	Voltage management ensures maximum working power and limit output power
Safety system:	Switching power supply thermal protection / Overheat protection
Installation:	Compatible with the actuators equipped with special mounting brackets, bed frame (fixed by screws)
Cable cover:	All ports have
Standards:	IEC60601-1 edition 3.1 EMC: IEC60601-1-2 ANSI/AAMI ES60601-1:2005/(R) 2012 CSA CAN/CSA-C22.2 NO. 60601-1:14

Dimension Drawing

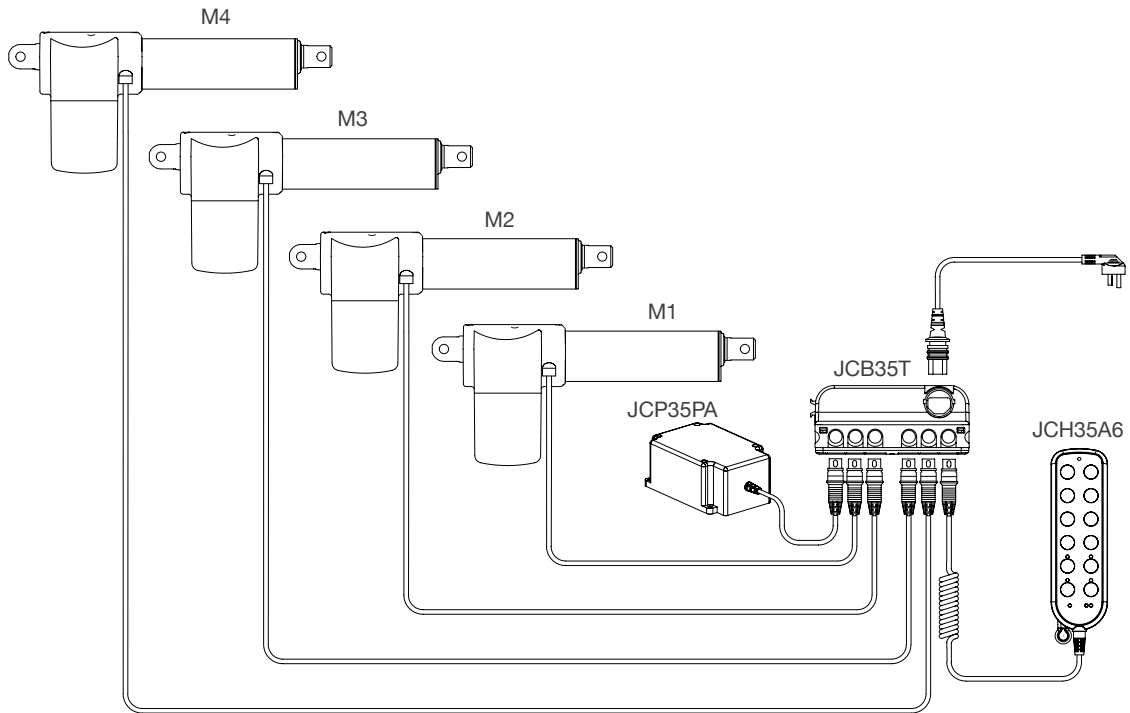


Ordering Key

Take **JCB35TA23GT0010503017** for example

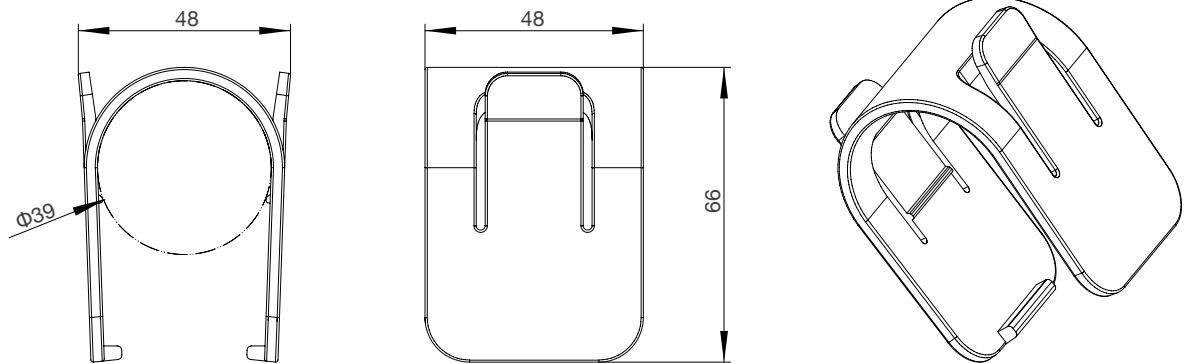
Model	JCB35T	
Extension function	A	0 = Standard / A = With batter
Actuator amount	2	1 = 1 Channel / 2 = 2 Channel / 3 = 3 Channel / 4 = 4 Channel
Input voltage	3	3 = 110VAC-240VAC
Color	G	G = Gray / B = Black
PCB board	T0010	T0010 = Specific code
Power or capacity	50	50 = 50W / 100 = 100W
Optional function	01	0 = Standard / 03 = With earthing conductor 14 = With external emergency stop wire / 17 = Class A

Platform - system overview



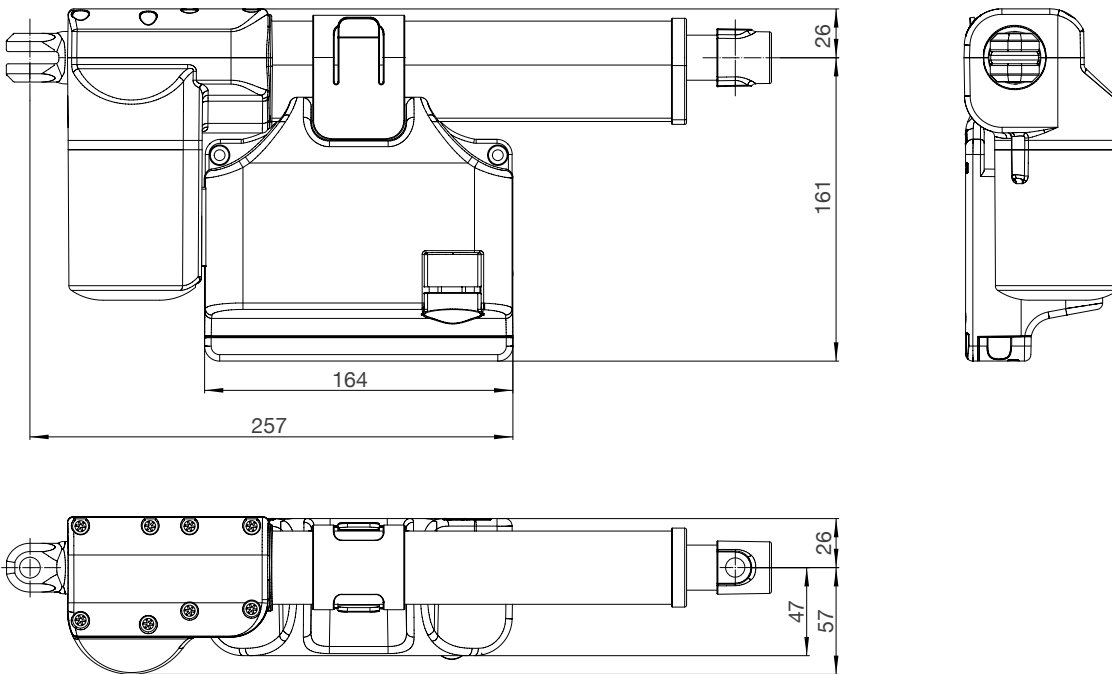
Install

Mounting brackets

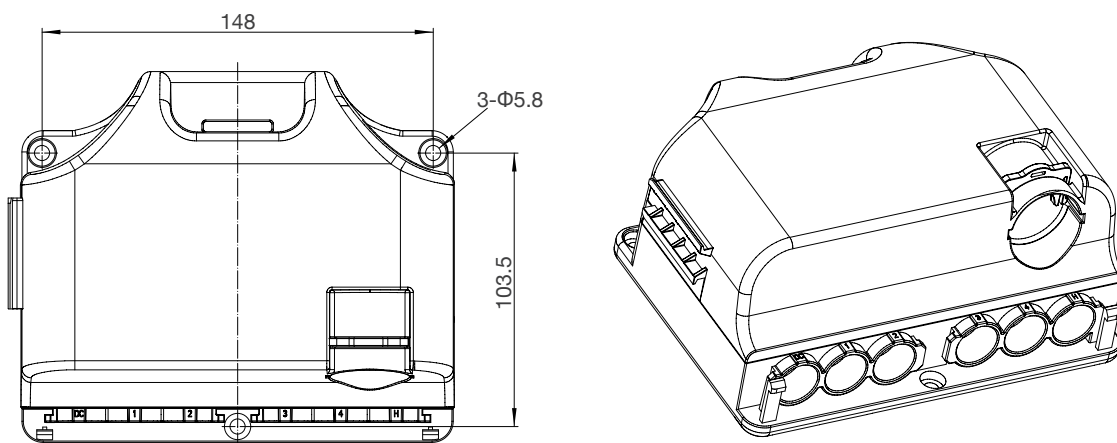


Dimensions JCB35T with linear actuators

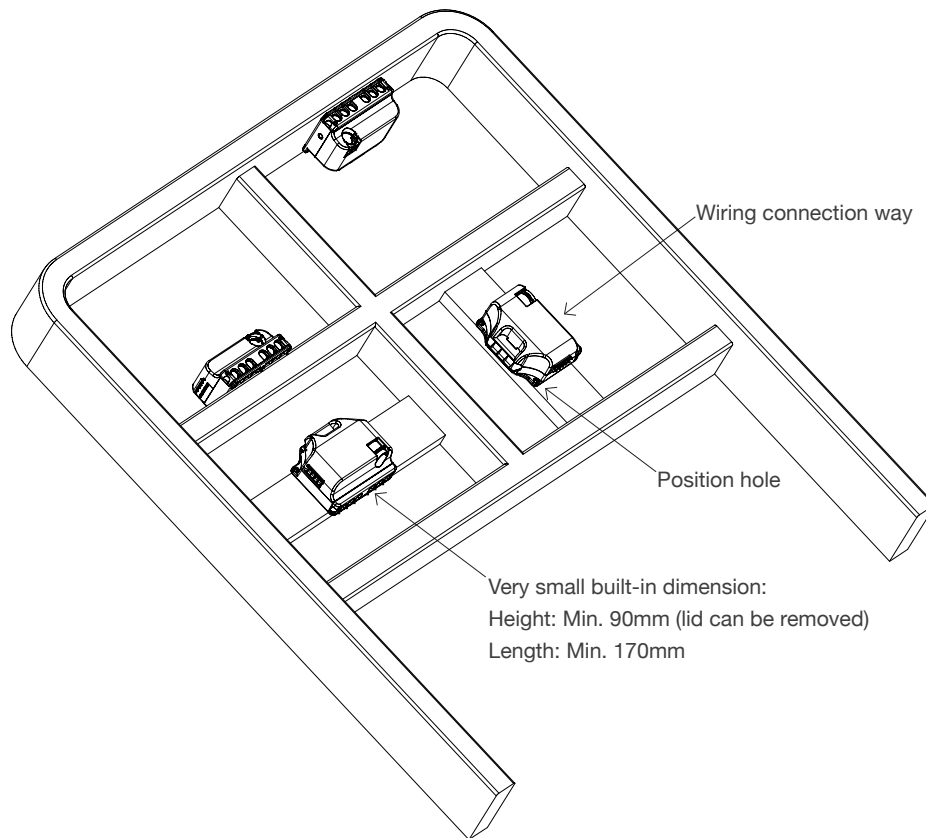
JCB35T install on JC35L29



Installation dimension



JCB35T is installed on the frame



It is recommended to install JCB35T where allows water to escape.

Recommended torque: 0.6Nm + / - 0.1

The controller can be installed on the bed frame or any other application according to installation procedures

- 1) Place the M5 nut on the exposed hole of the mounting block, and fix the mounting block with M5 bolts from the rear side.
- 2) Fix the mounting slider with M5 machine screws and the flat washers (install a nut on the back of the mounting slider).
- 3) Fix the mounting slider to the frame with self-tapping screws.

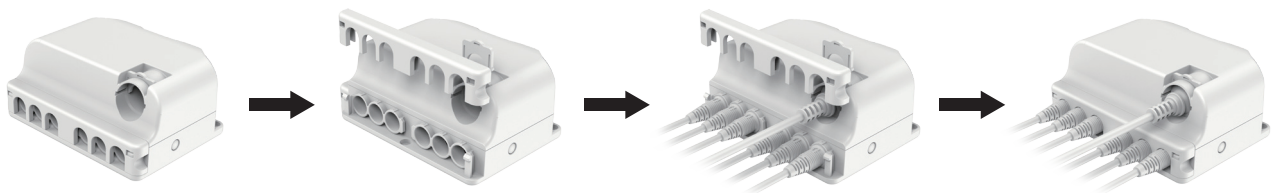
Note: In order to avoid damage due to improper installation during the use of the product, please be sure to fix the 3 mounting holes with screws.

Cable locking and management

Linear actuator cable locking

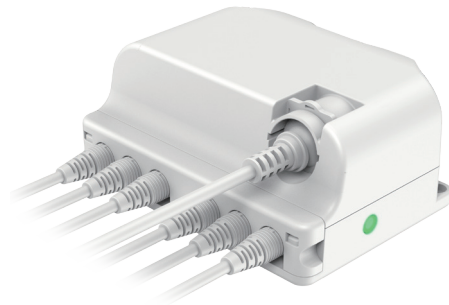
The control box JCB35T has a uniquely designed cable cover. When the cable cover is closed, it acts as an integrated actuator lock.

1. Push the cable plug into the control box
2. Close the cable cover until it snaps into place (see the arrow)



LED indication

JCB35T has a green LED power indicator
When JCB35T is connected with power supply, the LED is on (green)
Otherwise, the LED is off.



Conditions of use

Users must determine the applicability of Jiecang products under specific conditions. Jiecang is committed to providing accurate and up-to-date product information. However, due to the continuous improvement of products, Jiecang's products may change frequently without prior notice. Therefore, Jiecang cannot guarantee the correctness and authenticity of the product information. Although Jiecang will do its best to meet the requirements of the order, for the above reasons, Jiecang cannot guarantee the deliverables of any specific product. Therefore, Jiecang reserves the right to stop selling any of the products listed on the website or product catalog or other written materials of Jiecang. All sales activities must be carried out in accordance with the requirements of Jiecang sales and delivery standard terms. Please contact Jiecang if you want to the copies of relevant documents.



Strictly abiding by medical safety certifications

Passed EMC tests. To ensure our products pass all kinds of tests domestic or abroad.



Communication protocol development

Aiming at different applications, develop more extensive functions for control system.



Professional customization

Powerful R&D strength, fully satisfy customers' needs. Development cycle is about 10 days, seizing more market opportunities



Intelligent Control of Bluetooth

Mobile phone as the remote, applying in home care. Market pioneer, Jiecang provides better choices



Wireless Communication

Controllers adopt high-frequency wireless system. It can avoid interference mixing with signal receivers, assisting in remote control over medical equipment.



Latest Weighing System

Designed for physiotherapy beds and medical care beds. Cantilever carrying weighing sensor, it is applicable to different bedsteads dispensing with any adjustment



Notes for mounting and usage can be found in the corresponding mounting manual