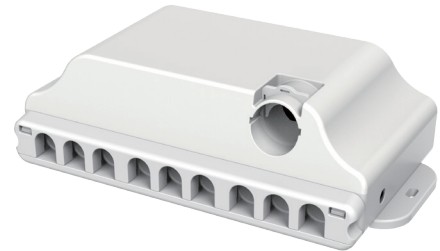


JCB35R Controller

Application field - Medical Line
Preferably in hospitals and nursing industry.

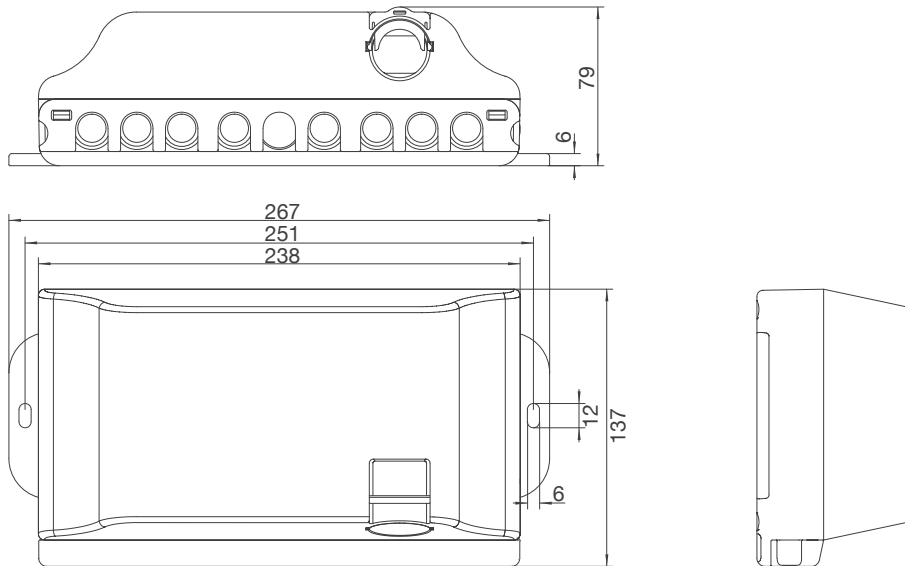
JCB35R is equipped with a worldwide, performance-optimized SMPS (switching power supply) with a controller port, five channels, battery port. JCB35R has elegant appearance and compact design. The fixing blocks on both sides of the lower shell can be locked on the platform by screws. When the actuator in JCB35R system reaches the limit point, the motor power will be cut off by the signal switch in the control box rather than in the actuator.



General Features

Power:	Input _ 100-240 VAC, 50/60 Hz; The output power is 200W in the rated state, and the output power is 320W in the working mode
Power point light:	Yes
Actuator interface:	Max. 7 channels, 5-pin actuator straight plug
Hand controller interface:	1 channels, 8-pin actuator straight plug
Battery interface:	1 channels, 6-pin actuator straight plug
Standby power:	Maximum 1W (230V)
Colour:	Grey / Black
Control idea:	Relay, service life exceeds 20000 cycles
Duty cycle:	2/18min @ 25°C; on/off continuous use (180W at 25°C for 120 seconds)
Weight:	0.9kg
Max IP grade:	IPX6
Operation:	Synchronous drive
Single channel max current:	7 ± 0.5A
Power management:	Voltage management ensures maximum power operation and limits maximum output power
Safety system:	Thermal protection of switching power supply; over-current protection
Installation:	Bedstead (by screws)
Wire clip:	All ports have
Standards:	IEC60601-1 edition 3.1 EMC: IEC60601-1-2 EN60601-1-2: 2015 ANSI/AAMI ES60601-1 CSA CAN/CSA-C22.2 NO. 60601-1:14

Dimension Drawing

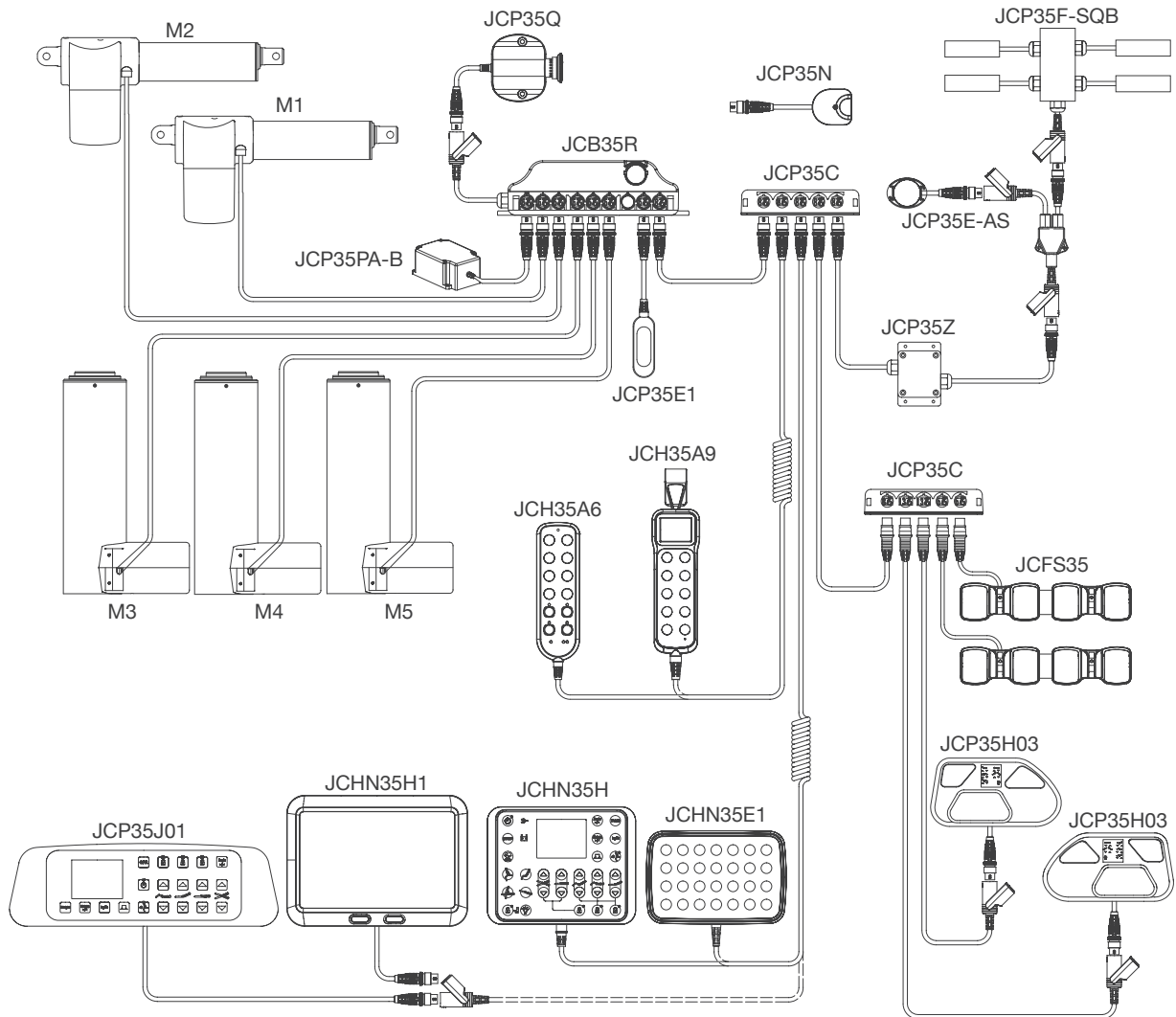


Ordering Key

Take **JCB35RAM53GR0044200009** for example

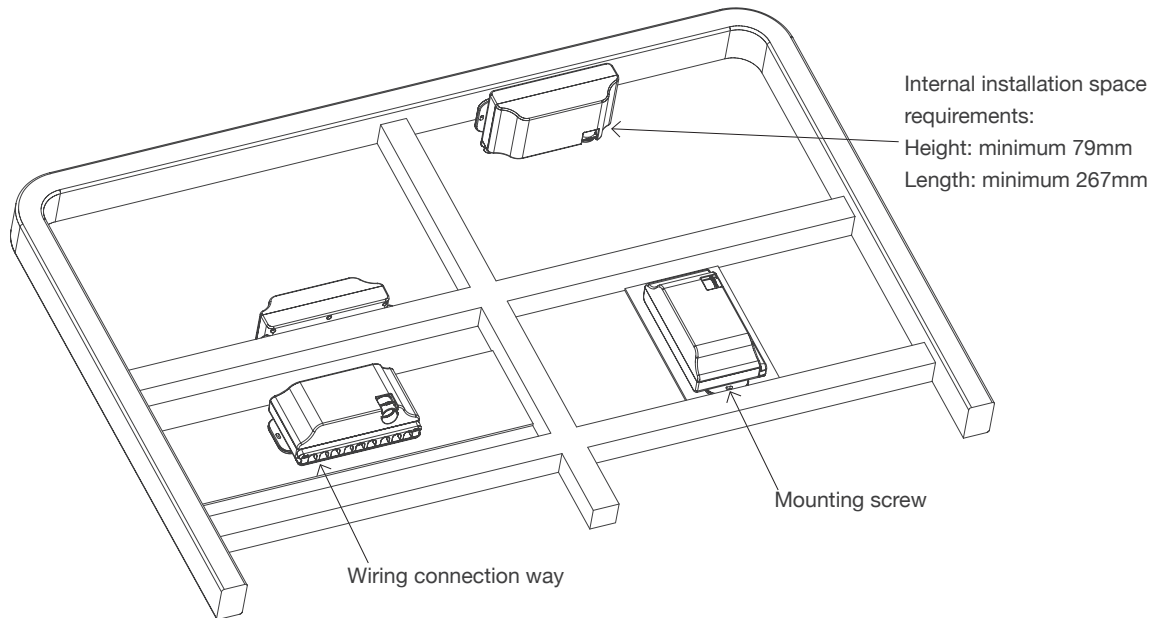
Model	JCB35R	
Extension function	A	A = With batter / M = With chip / Y = Remote control
Actuator amount	5	5 = 5 Channel / 7 = 7 Channel
Input voltage	3	1 = 110VAC / 2 = 220VAC or 230VAC or 240VAC 3 = 110VAC-240VAC / 4 = 10-20VDC (including 20) 5 = 20-30VDC (including 30) / 6 = 30-42VDC (including 42)
Color	G	G = Gray / B = Black
PCB board	R0044	R0044 = Specific code
Power or capacity	200	200 = 200W
Optional function	09	08 = With night light / 09 = External battery wiring 10 = With pole for earth wire 14 = Outgoing line with emergency stop switch

Platform - system overview



Install

JCB35R is installed on the frame



It is recommended that JCB35R be installed in a position where it can drain water.

Recommended torque: $0.6\text{Nm} \pm 0.1$

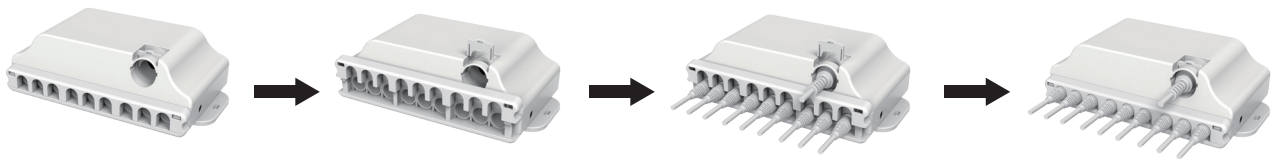
The controller can be installed on the bedstead or any other application according to one of the following procedures:

- (1) Place the M5 nut on the exposed hole of the mounting block on both sides of the lower housing and lock the mounting block with the M5 bolts from both sides.
- (2) Fix the mounting blocks on both sides of the lower housing with M5 machine screw with flat washer (install a nut on the back of the mounting slider).
- (3) Fix the mounting blocks on both sides of the lower housing to the frame with self-tapping screws.

Cable locking and management

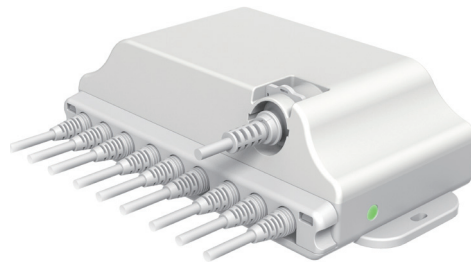
Linear actuator cable locking

1. The control box JCB35R has a wire clip with a unique design. Installing the wire clip is equivalent to an integrated cable lock.
2. Install the cable plug into the control box, press down the motor wire clip and power cable wire clip to lock the cable (according to the arrow).



LED indication

LED indication:
JCB35R has a green LED power indicator.
The LED lights up when JCB35R is successfully connected to the main power network (display green);
In other cases, the LED is off.



Conditions of use

Users must determine the applicability of Jiecang products under specific conditions. Jiecang is committed to providing accurate and up-to-date product information. However, due to the continuous improvement of products, Jiecang's products may change frequently without prior notice. Therefore, Jiecang cannot guarantee the correctness and authenticity of the product information. Although Jiecang will do its best to meet the requirements of the order, for the above reasons, Jiecang cannot guarantee the deliverables of any specific product. Therefore, Jiecang reserves the right to stop selling any of the products listed on the website or product catalog or other written materials of Jiecang. All sales activities must be carried out in accordance with the requirements of Jiecang sales and delivery standard terms. Please contact Jiecang if you want to the copies of relevant documents.



Strictly abiding by medical safety certifications

Passed EMC tests. To ensure our products pass all kinds of tests domestic or abroad.



Communication protocol development

Aiming at different applications, develop more extensive functions for control system.



Professional customization

Powerful R&D strength, fully satisfy customers' needs. Development cycle is about 10 days, seizing more market opportunities



Intelligent Control of Bluetooth

Mobile phone as the remote, applying in home care. Market pioneer, Jiecang provides better choices



Wireless Communication

Controllers adopt high-frequency wireless system. It can avoid interference mixing with signal receivers, assisting in remote control over medical equipment.



Latest Weighing System

Designed for physiotherapy beds and medical care beds. Cantilever carrying weighing sensor, it is applicable to different bedsteads dispensing with any adjustment



Notes for mounting and usage can be found in the corresponding mounting manual