

JCB35NH2

Control Box



Data sheet

JCB35NH2

- JCB35NH2 controller has better comprehensive performance of the system
- Software program upgrade, control system more stable
- Side line groove design, more clean cable layout
- The power lamp shows the running state of the controller
- Support 1+N scheme (supporting M-series controllers)
- Equipped with a six-axis sensor, more sensitive to setbacks
- 0.1W ultra-low standby power consumption



Features

- Number of control columns: 1-2
- Color: Black
- House: ABS with snap structure, no screws
- Installing way: Can be fixed on the table plate or on the frame
- Overload protection: Set the limit value to avoid over burden motion
- Overheating protection

Option

- 2.4G wireless receiver box
- USB charging case can be connected externally
- Lithium-ion battery case for powering the controller without AC power

Usages

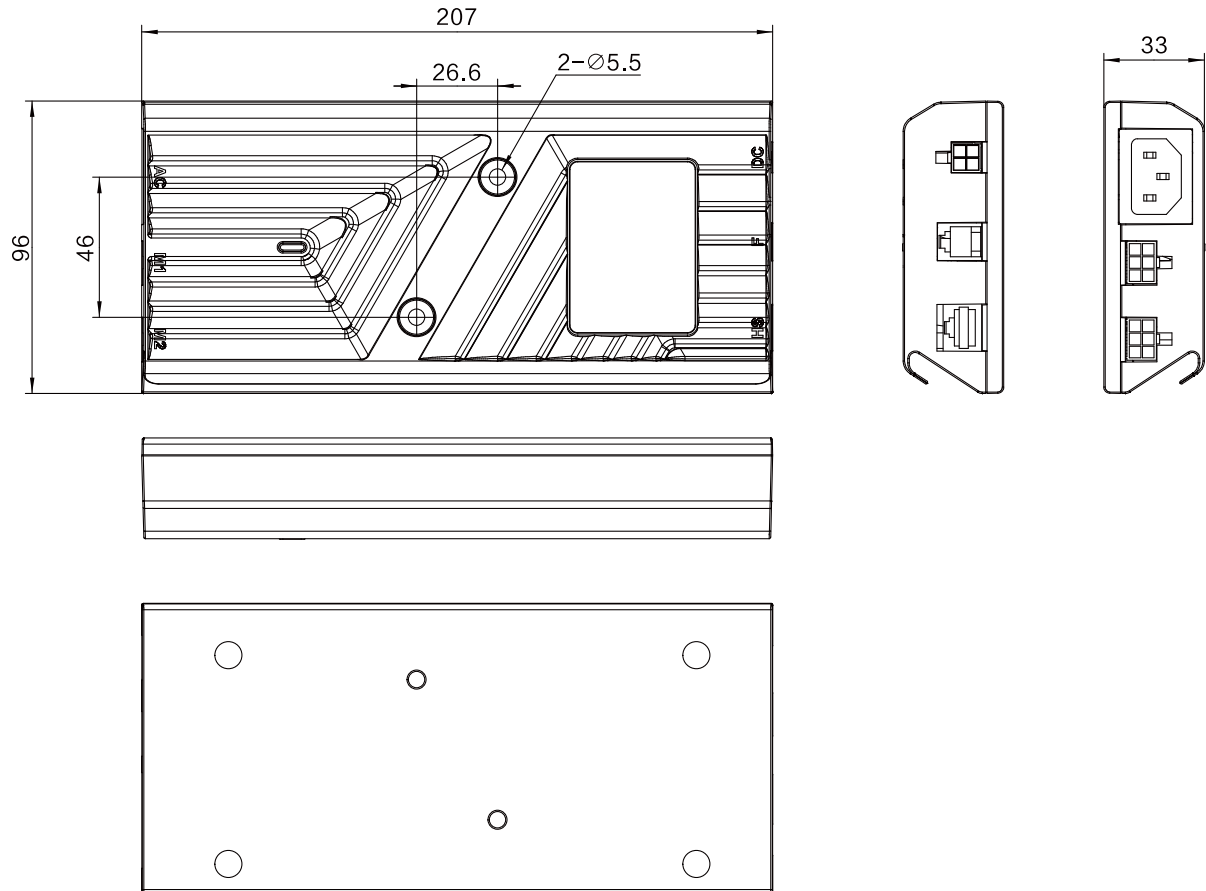
- Duty cycle: S2-20 min. Continuous work for most 2 minutes in a period of 20 minutes
- Ambient surrounding: Indoor

Technical specifications

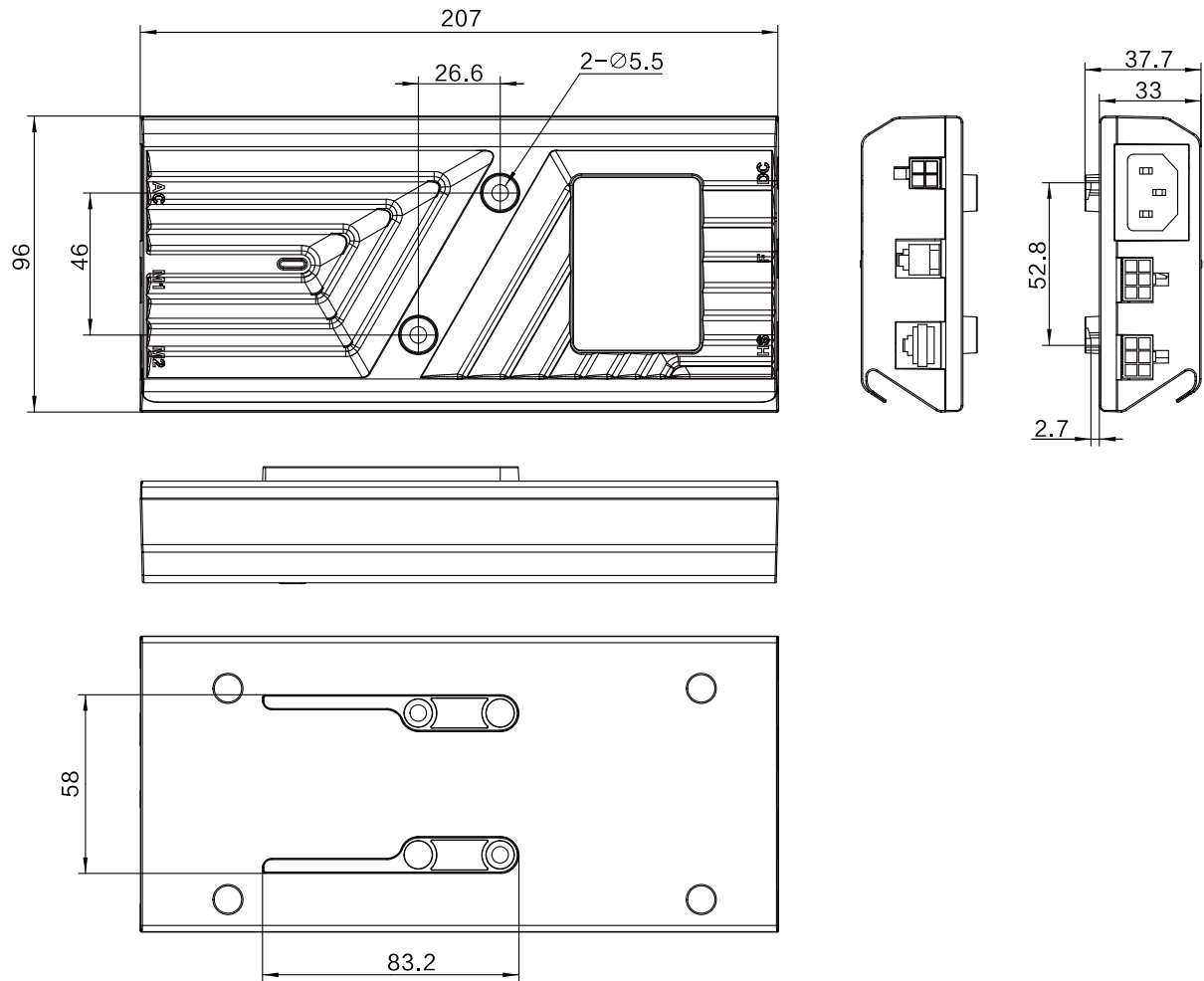
- Size: 207×96×33mm
- Input voltage: 100-240V
- Output power: 400W
- Standby power consumption: 0.1W
- Weight: 0.495kg

Dimensions

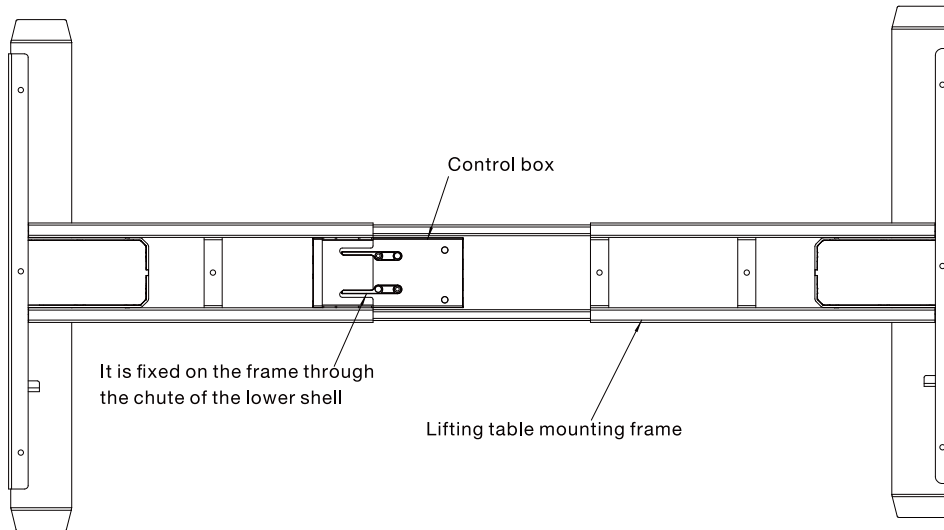
Without a chute



With chute



Installation Instruction



Ordering Key

JCB35NH2-2E8-3-Z3-3D0-650(650)555(560)

