

# Lifting column JC35EN3



Data sheet

## Lifting column JC35EN3

### Features

- Motor: 24VDC
- Built-in dimension: 350mm(+/-3)
- Stroke length: Max 400mm(+/-3)
- Load in push: 2000N
- EN3 has two types: EN3-E(small) and EN3-F(large)
- Static bending moment: 1000NM
- Dynamic bending moment: 500NM
- Protection class: IP54
- Colour: anodised aluminium
- Built-in electrical limited switch-not adjustable
- Noise level: 48dB
- Approvals: CE



---

### Options

- With hall-sensor (apply for synchronize or memory function)

### Usage

- Usage temperature: From +5° to +40°
- Duty cycle: 2 minutes continuous use followed by 18 minutes not in use
- Compatibility: JCB35A, JCB35B, JCB35E, JCB35Q, JCB35T and JCB35R

---

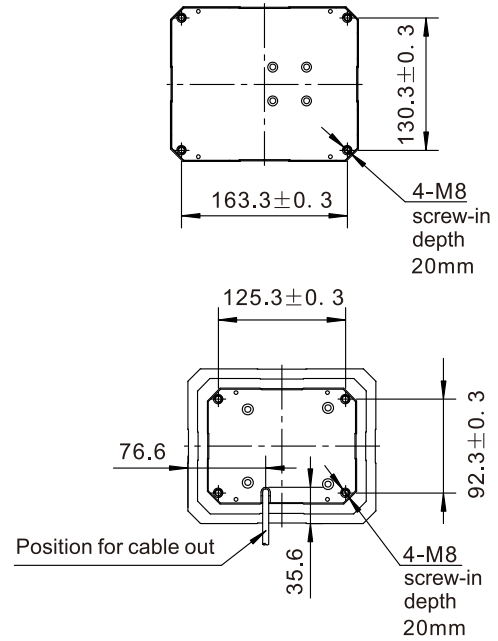
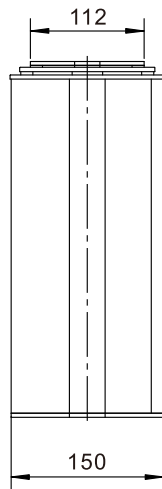
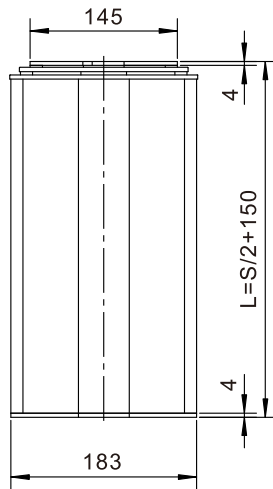
## Technical specifications

Spindle pitch (mm)	Push max (N)	Self-lock (N)	Bending force max(Static) (NM)	Bending force max(Dynamic) (NM)	Speed without load (mm/s)	Speed under load (mm/s)	Current under load (A)
4	2000	2000	1000	500	12	10	7.0

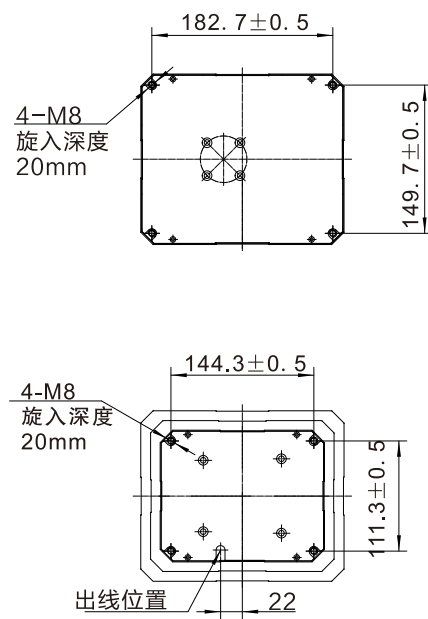
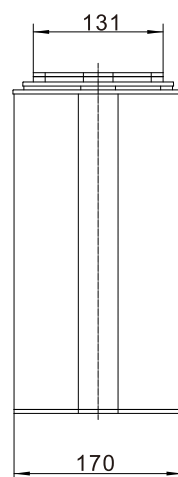
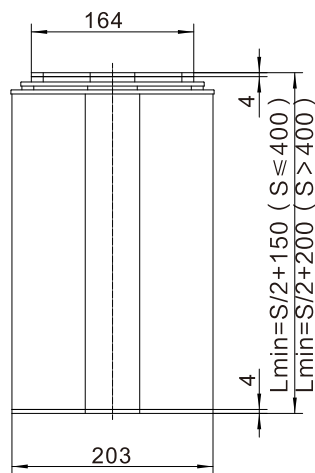
### Comments to table

- The above measures are made in connection with 24V DC stabilized voltage supply.
- JIECANG control boxes are designed so that they will short-circuit the motor terminals (poles) of the actuator(s) when the actuator(s) are not running. This solution gives the actuator(s) a higher self-locking ability. If the actuator(s) are not connected to a JIECANG control box, the terminals of the motor must be short-circuited to achieve the self-locking ability of the actuator.

## Dimension



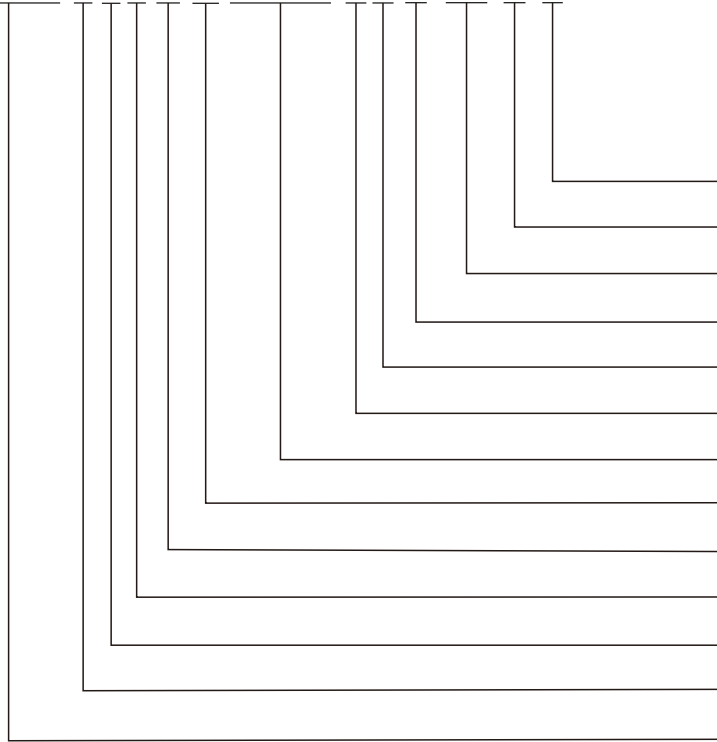
JC35EN3-E



JC35EN3-F

## Ordering Key

JC35EN3 Y E 2 10 24 400/400 O 1 10 1D5 07 G



Color	G=Grey
Surface	07=Oxidation
Cable Length	1D5=1.5m
Plug and Cable	
Connection Position	1=Top mounting plate outlet
Mounting	O=220*96*12
Stroke/Retraced Length	
Input Voltage	24V
Speed at Full Load	10=10mm/s
Load	2=2000N
Profile Code	
Options	
Type	