
JC35EN-2K Lifting column



Data sheet

JC35EN-2K

- JC35EN-2K is a EN series of lifting columns with two-segment. It has the advantage of large bending moment and fast speed , high load and stability.
- It's mainly developed for the application of single leg lifting desks; The column is characterized by large bending moment and fast speed. At full load of 1500N, the lifting speed, compatible with JCB35N2 control box, can reach 30mm/s. The static bending moment could reach 1000NM and dynamic 500NM.



Features

- The static bending moment: 1000NM
- The dynamic bending moment: 500NM
- Output voltage: 24VDC (N2 control box)
- Color: Silver Gray
- Protection Degree: IPXX
- Load capacity: 1500N
- Low noise level: < 50dB(The environment noise level \leq 40dB)

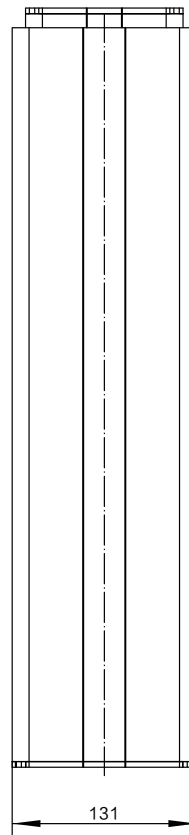
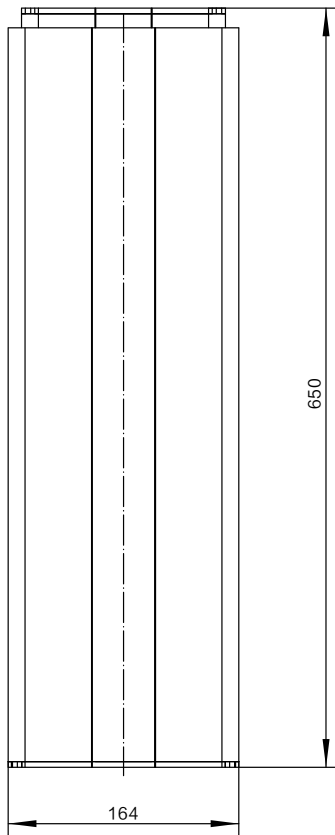
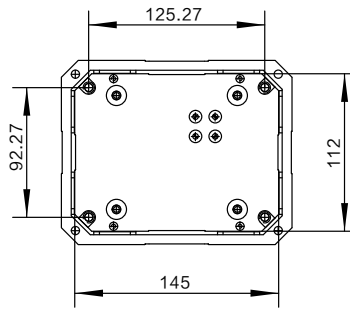
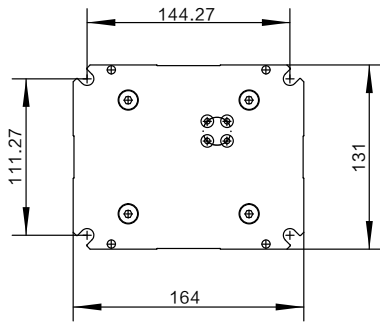
Usage

- Duty Cycle: 10 %, Max. 2 minutes operation/Min. 18minutes rest of continuous use at full load
- Working environment: Indoor
- Compatible with JCB35N2 control box
- Storage and transport temperature :-10°C+70°C

Technical specifications

Type	Rated load (N)	Reversing locking (N)	Typical current at rated Load (A)	Typical max speed Non-load~ Rated load (mm/s)	Duty cycle	Stroke length (mm)	Retracted length (mm)
JC35EN-2K	1500	1500	7.5	30	10%	400	650

Dimensions



Ordering Key

JC35EN-2K-Y-A-1D5-30-24-400/650-0-1-21-1D5-07-G

