

Lifting column JC35EG3



TECHNOLOGY
DRIVES INTELLIGENT LIFE

Data sheet

Lifting column JC35EG3

Features

- Motor: 24VDC
- Built-in dimension: 400mm(+/-4)
- Stroke length: Max 400mm(+/-4)
- Load in push: 2000N
- Static bending moment: 400NM
- Dynamic bending moment: 200NM
- Protection class: IP54
- Colour: white with powder coat
- Built-in electrical limited switch-not adjustable
- Noise level: 48dB
- Approvals: CE ,UL



Options

- With hall-sensor (apply for synchronize or memory function)
- With aluminium holder for mounting

Usage

- Usage temperature: From +5° to +40°
- Duty cycle: 2 minutes continuous use followed by 18 minutes not in use
- Compatibility: JCB35A, JCB35B, JCB35E, JCB35Q, JCB35T and JCB35R

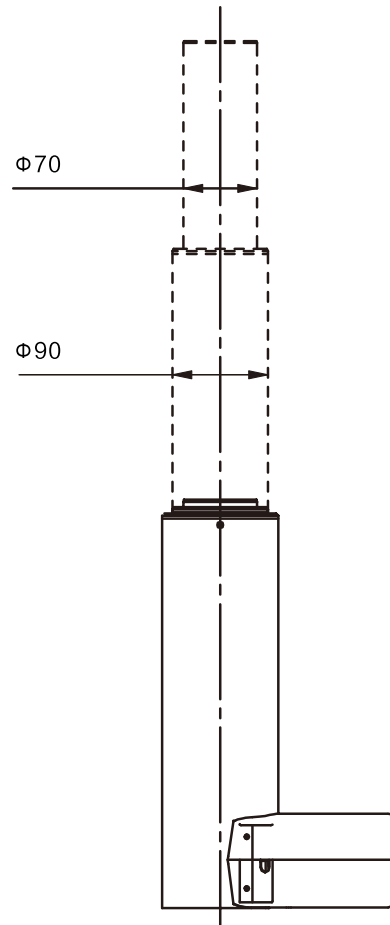
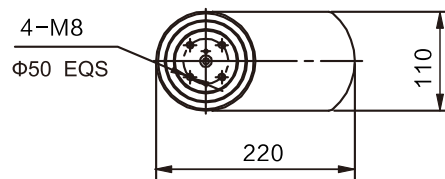
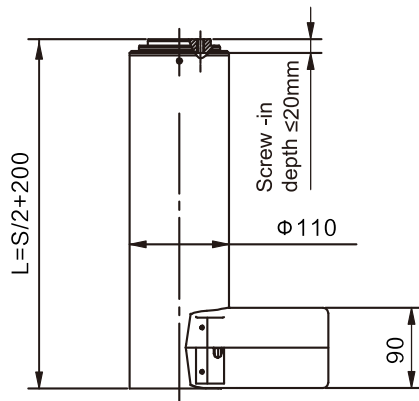
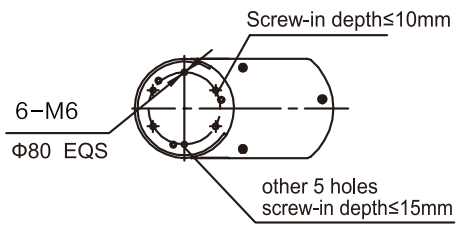
Technical specifications

| Spindle pitch (mm) | Push max (N) | Self-lock (N) | Bending force max(Static) (NM) | Bending force max(Dynamic) (NM) | Speed without load (mm/s) | Speed under load (mm/s) | Current under load (A) |
|--------------------|--------------|---------------|--------------------------------|---------------------------------|---------------------------|-------------------------|------------------------|
| 6 | 2000 | 2000 | 400 | 200 | 15 | 10 | 6.5 |

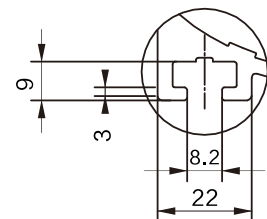
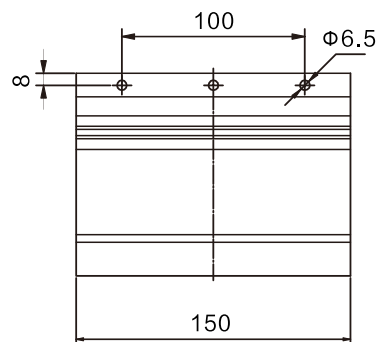
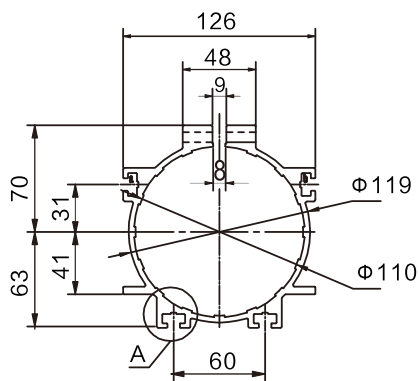
Comments to table

- The above measures are made in connection with 24V DC stabilized voltage supply.
- JIECANG control boxes are designed so that they will short-circuit the motor terminals (poles) of the actuator(s) when the actuator(s) are not running. This solution gives the actuator(s) a higher self-locking ability. If the actuator(s) are not connected to a JIECANG control box, the terminals of the motor must be short-circuited to achieve the self-locking ability of the actuator.

Dimension



Aluminum holder dimension (option)

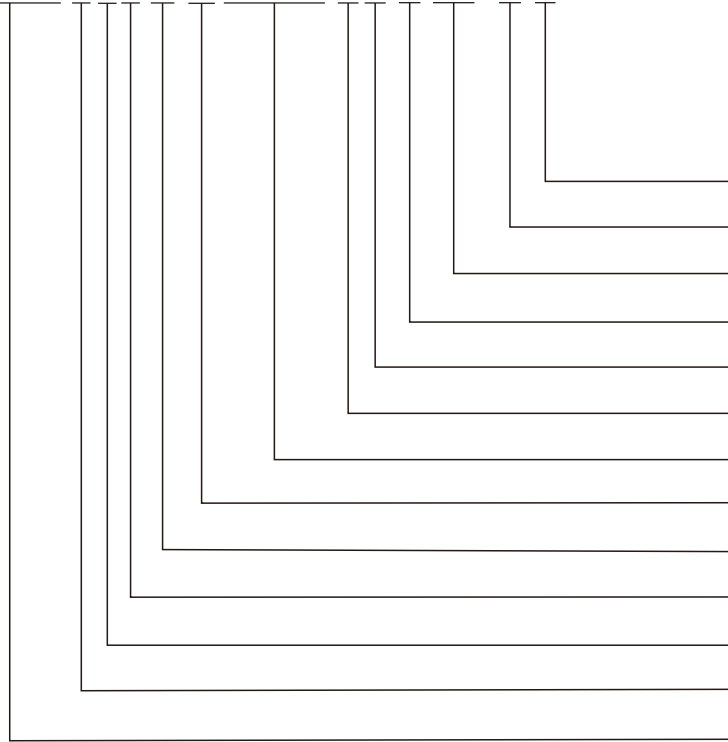


Installation dimensions

$$L = S/2 + 200$$

Ordering Key

JC35EG Y 0 2 10 24 300/355 O 0 10 3D0 10 W



| | |
|------------------------|--------------------|
| Color | W=White |
| Surface | 10=Spray treatment |
| Cable Length | 3D0=3m |
| Plug and Cable | |
| Connection Position | 0=Top side outlet |
| Mounting | O=220*96*12 |
| Stroke/Retraced Length | |
| Input Voltage | 24V |
| Speed at Full Load | 10=10mm/s |
| Load | 2=2000N |
| Profile Code | |
| Options | Y=Hall sensor |
| Type | |